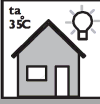


Giant G2

BVP349 G2D

Mounting instructions



IEC
60598

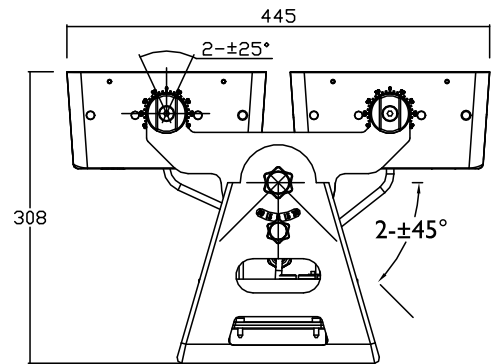
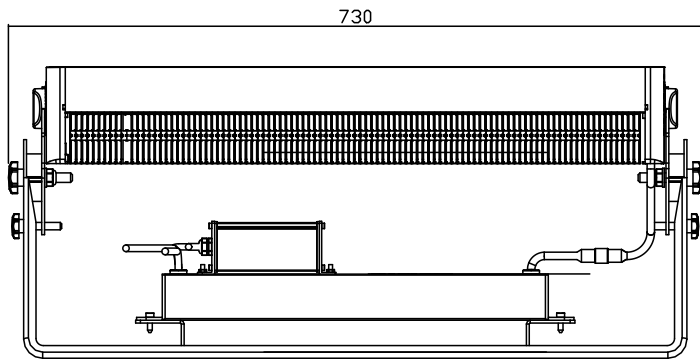
RoHs

IP66

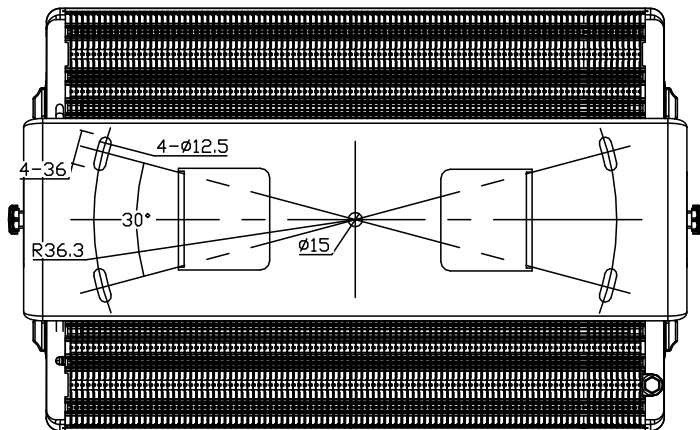


S. Cx
→ □
0.35m²

Type Number	LEDs QTY	Power	Voltage	Beam angle	CCT/Color	Control method	Max. No. per DMX universe	kg
BVP349 G2D Mono	240	600W	220-240V AC 50/60Hz	4.5°/ 10°/15°/ 30°/45°/ 60°	2700K/3000K/ 4000K/5000K/6500K	On-Off DMX-RDM	512 (Only DMX versions)	28
BVP349 G2D RGB					RGB	DMX-RDM	170	
BVP349 G2D RGBW					RGB27K/RGB30K/RGB40K RGB50K/RGB65K	DMX-RDM	128	
BVP349 G2D Mono	144	360W	3°	2700K/3000K/ 4000K/5000K/6500K	On-Off DMX-RDM	512 (Only DMX versions)		
BVP349 G2D RGB				RGB	DMX-RDM	170		
BVP349 G2D RGBW				RGB27K/RGB30K/RGB40K RGB50K/RGB65K	DMX-RDM	128		



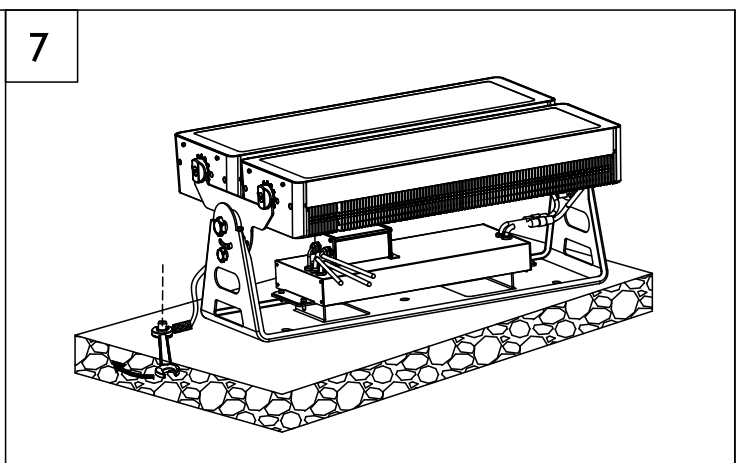
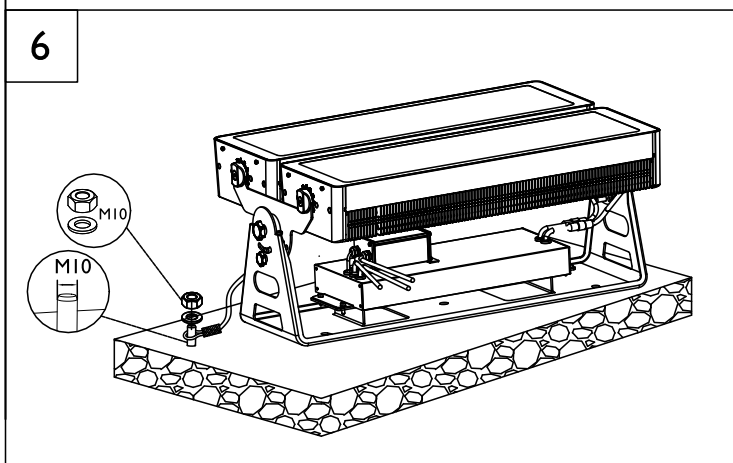
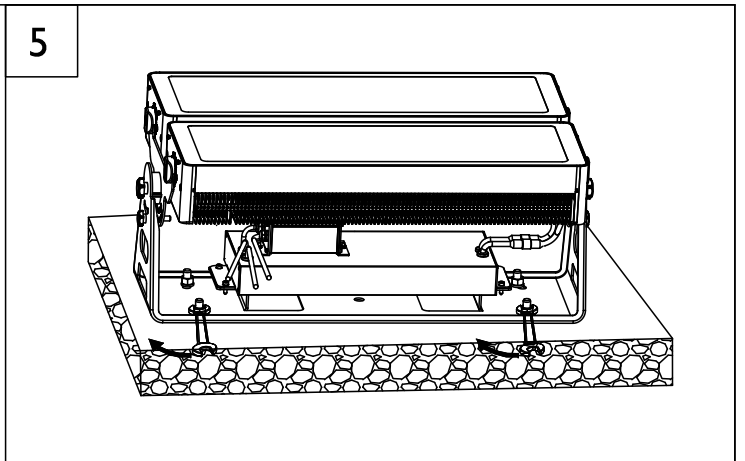
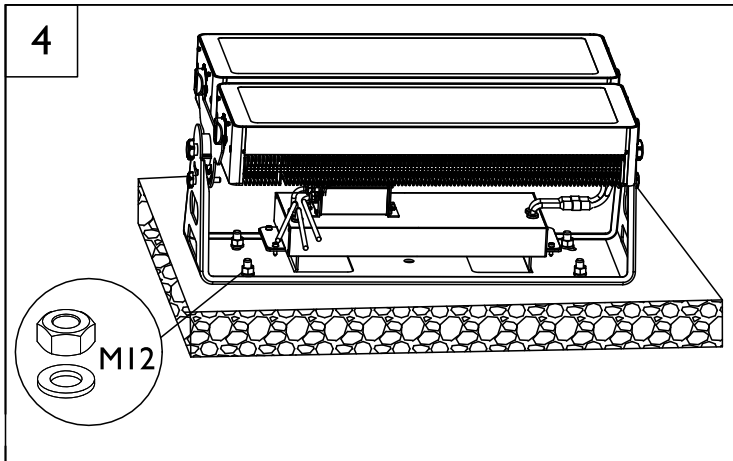
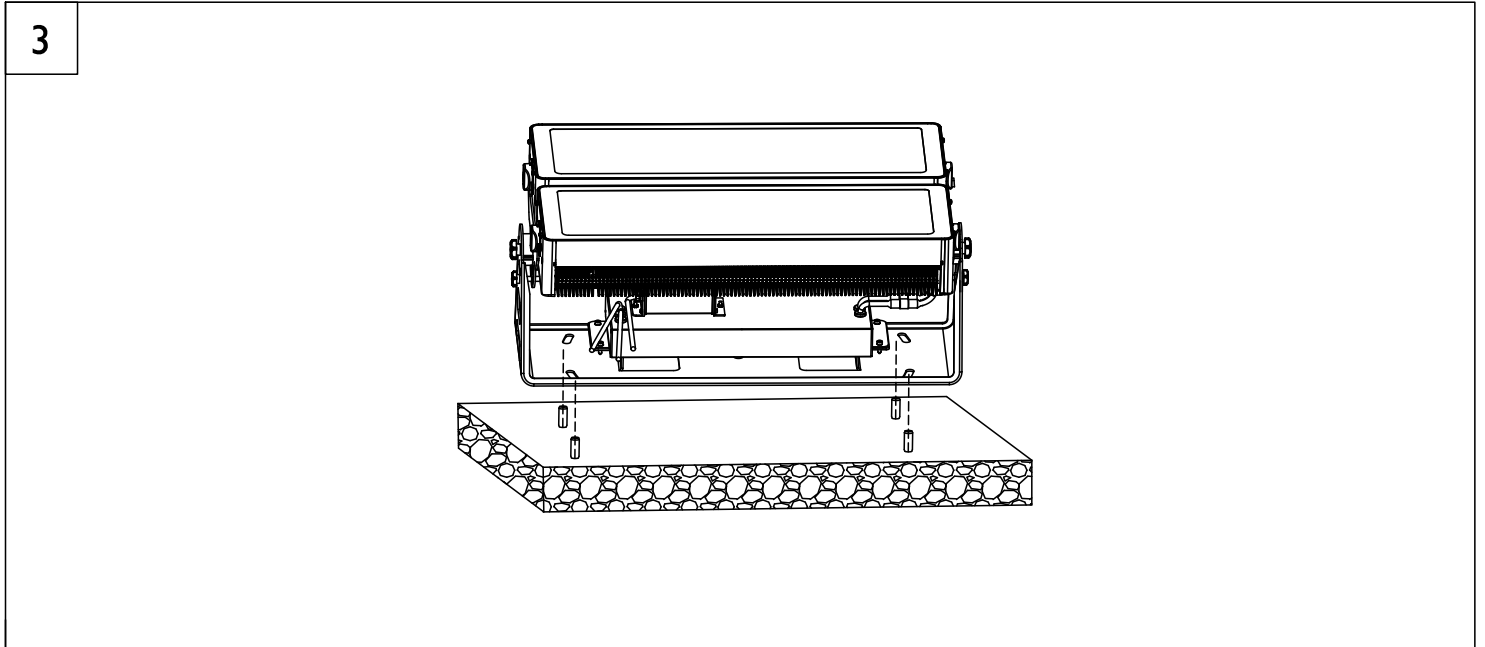
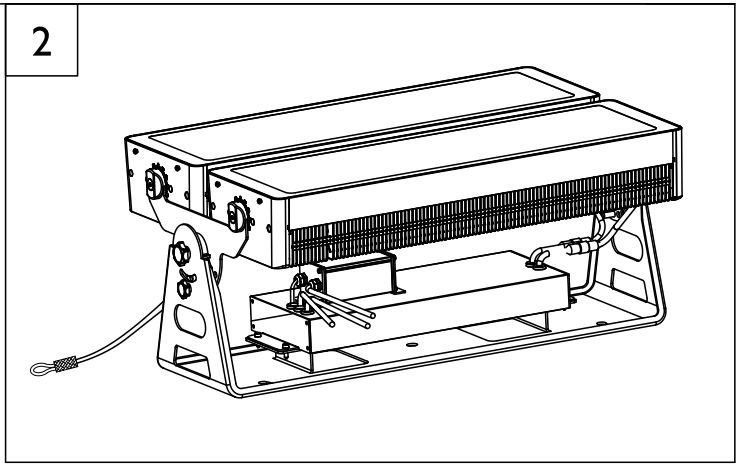
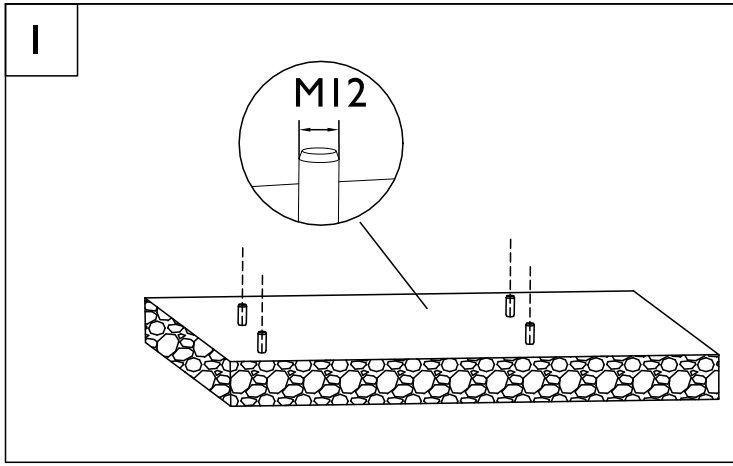
Adjustable angle



Unit: mm

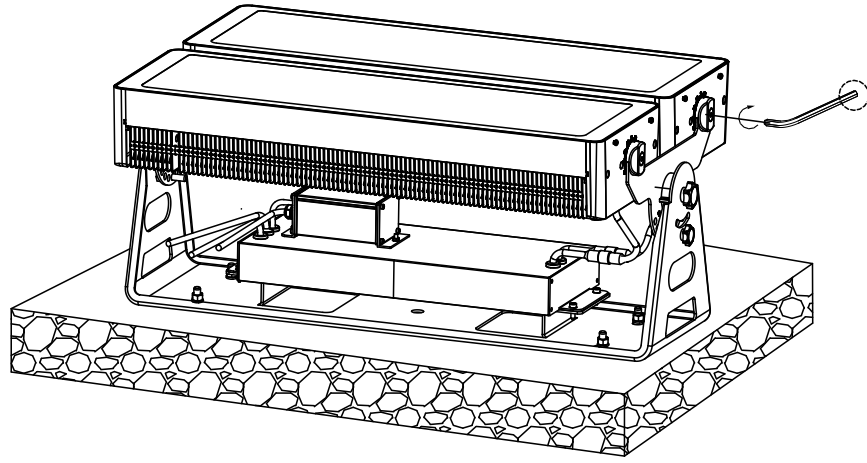
Signify (China) Investment Co., Ltd.
Building No. 9, Lane 888 Tianlin Road,
Minhang District, Shanghai, China
Postalcode: 200233

LiteMagic

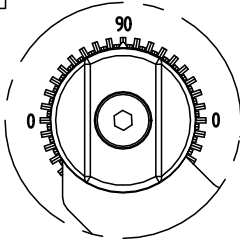


8

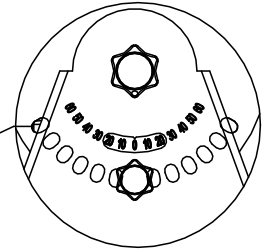
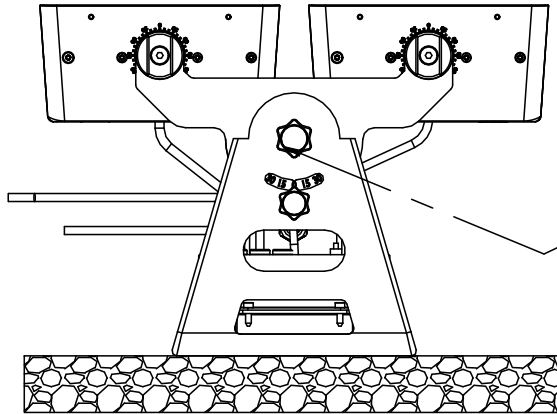
Hex wrench 4mm



9



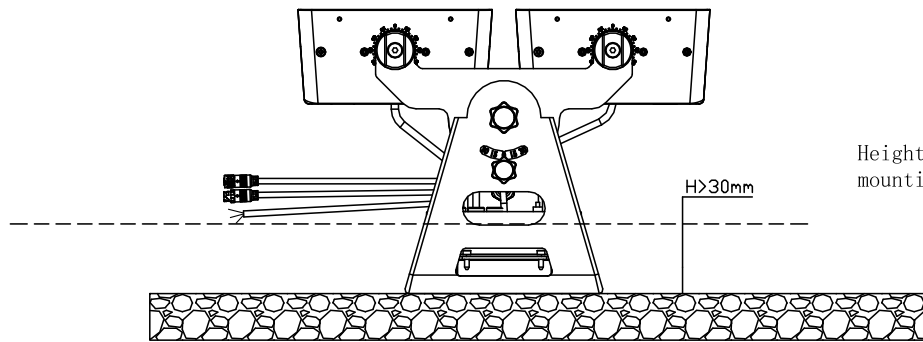
Adjust to the right angle



Adjust to the right angle

10

Installation requirements for joints or wiring

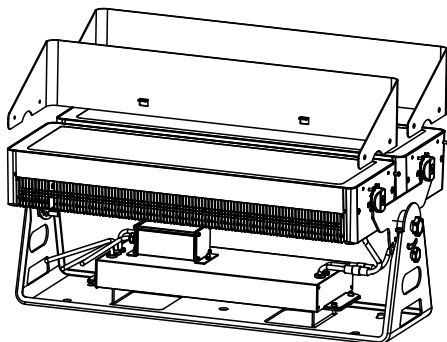


H>30mm

Height of joint from mounting surface H

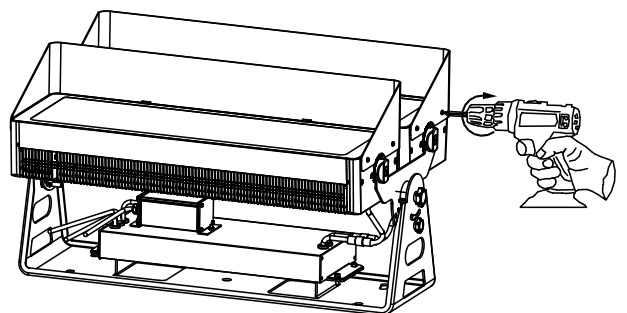
11

KM4x8

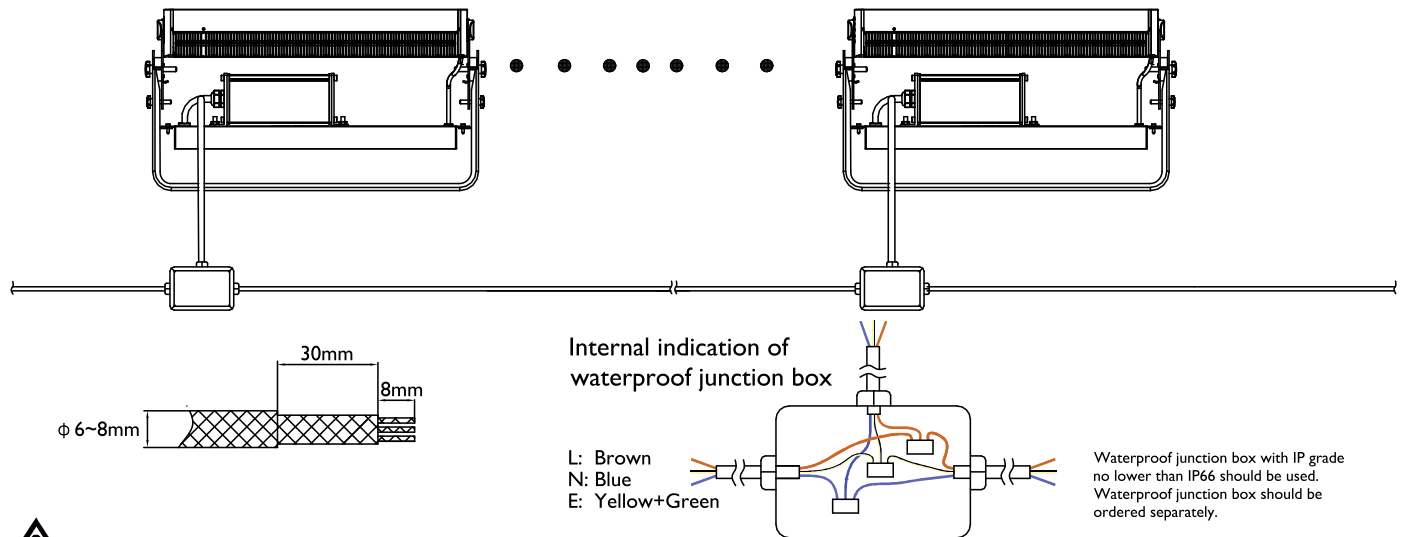


12

Cross screwdriver



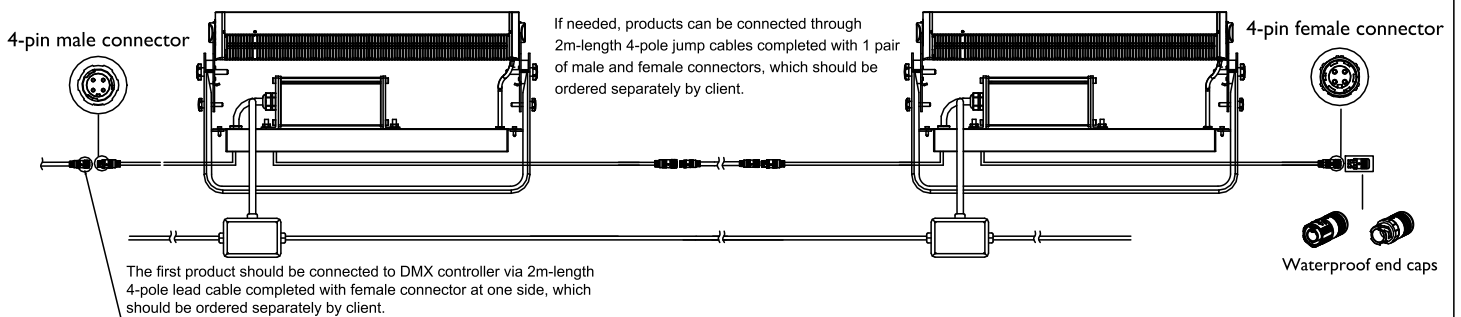
A Wiring diagram of On/Off versions



1. When used in a humid environment, please seal all entries to prevent liquid ingress. Please use RTV silicone and waterproof junction box.
2. Wiring method depends on local electrical standards and regulations, generally using threaded and screwable wire connectors or screw terminal blocks.

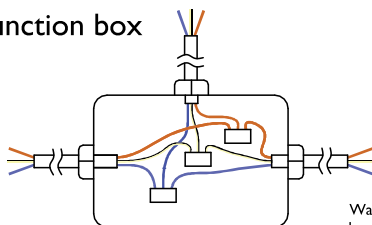
B Wiring diagram of DMX versions

⚠ Input with male waterproof connector



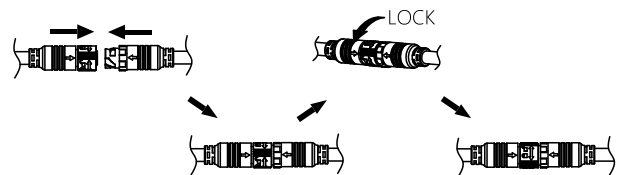
Internal indication of waterproof junction box

L: Brown
N: Blue
E: Yellow+Green



Waterproof junction box with IP grade no lower than IP66 should be used. Waterproof junction box should be ordered separately.

Dock the waterproof connectors up



1. For wet or damp locations seal all points of entry to prevent water infiltration. Use RTV silicone and weatherproof junction boxes.
2. The wire connection method is determined by local electrical codes and regulations, typically either wire nuts or screw terminal blocks.
3. Do not hot swap luminaires.
4. Ensure that power to the series is off before connecting or disconnecting individual luminaires.
5. The luminaire shall, under no circumstance, be covered with insulating material of any kind.
6. Do not use a luminaire for any voltage for which it is not rated. Do not exceed the specified voltage and current input for any luminaire.
7. Do not use a luminaire if the glass, housing, or power cables are damaged.
8. The luminaire power and data cables are not replaceable. If the external cables are damaged, the lighting luminaire needs to be replaced.
9. The luminaire LEDs are not replaceable. The complete luminaire should be replaced when LEDs' lifetime reaches to the end.
10. The luminaire should be positioned so that prolonged staring into the luminaire at a distance closer than 2.2m is not expected.



1. Ensure that main power supply is off before installing or wiring a luminaire.
2. Do not attempt to install or use a luminaire until you read and understand the installation instructions and safety labels.
3. Do not hot swap luminaires.
4. Ensure that power to the series is off before connecting or disconnecting individual luminaires.
5. The luminaire shall, under no circumstance, be covered with insulating material of any kind.
6. Do not use a luminaire for any voltage for which it is not rated. Do not exceed the specified voltage and current input for any luminaire.
7. Do not use a luminaire if the glass, housing, or power cables are damaged.
8. The luminaire power and data cables are not replaceable. If the external cables are damaged, the lighting luminaire needs to be replaced.
9. The luminaire LEDs are not replaceable. The complete luminaire should be replaced when LEDs' lifetime reaches to the end.
10. The luminaire should be positioned so that prolonged staring into the luminaire at a distance closer than 2.2m is not expected.

Warning

1. The luminaire shall be installed by a qualified electrician and wired in accordance with the latest IEEE electrical regulations or the national requirements.
2. Turn power off before inspection, installation or removal.
3. The light source contained in this luminaire shall only be replaced by the manufacturer or his service agent or a similar qualified person.
4. Refer to technical datasheet for additional electrical properties to ensure safe installation.
5. Luminaire installed must not be in contact with combustible materials.
6. Ensure power supply cables (D+ / D-) are connected correctly before switching on.

Maintenance

1. Ensure power supply is switched off before attempting any maintenance work.
2. Periodic cleaning of the luminaire optical lens cover will ensure maximum optical efficiency.
3. Luminaire optical lens cover shall be cleaned with clean water and non-abrasive soap, cleaner or detergent solution.

Caution

The Luminaire must be used within the applicable product specifications, installation instructions and environmental conditions for storage & operations according to application guidelines provided by Signify for product Warranty to be valid.

توصيل الأسلاك

قم بإيقاف تشغيل الطاقة قبل الفحص أو التركيب أو الفصل .
يجب تركيب الفانوس من قبل فني مؤهل يتبع التعليمات الموضحة
يرجى قراءة ورقة البيانات التقنية لمعرفة المواصفات الكهربائية للتأكد من التركيب الآمن يجب أن
يكون كل من التركيب و التوصيل متوافقا مع أنظمة IEEE و المواصفات المحلية يجب تغيير مصدر
عدم تركيب أو وضع الفانوس بالقرب
من مواد قابلة للاشتعال الإضاءة فقط عن طريق الجهة المصنعة أو مقدم خدمات مؤهل.
عدم تمدد كابل الطاقة بالقرب من مواد ذات حرارة عالية
لتأكيد القطبية الصحيحة تأكد من توصيل الأسلاك بشكل صحيح
هذا الفانوس مصنع للاستخدام الخارجي

الصيانة

تأكد من فصل الطاقة قبل إتمام عملية الصيانة
استمرار تنظيف الناشتر يؤكد الحصول على إضاءة شديدة
يجب تنظيف غطاء الناشتر بالماء و صابون ناعم أو محلول مطهر

احذر

فضلا تأكد من ملاءمة تعليمات التركيب و ظروف البيئة للتخزين و التشغيل لاستمرار ضمان المنتج