

# FlashPro Compact (BWS409 M)

FlashPro compact is a surface mounted, exterior-rated and compact sized architectural LED direct view string that is designed for façade and outdoor lighting applications.

The robust mechanical design, easy installation and unique optical lenses make FlashPro compact ideal for buildings/media facades, bridges, arenas, theaters, amusement parks and recreational centers.

Available in white, monochromatic colors, RGB, RGBW and tunable white.

Symmetrical and asymmetrical optical distributions with DMX control option to give architects and designers the freedom to explore a wide range of concepts and design with no limitations.



## Key Features (BWS409 M)

- Standard: RGBNW, RGB, tW and 4000K
- Optional 2700K, 3000K, 5000K, Monochromatic Colors
- Standard pixel pitch of 200mm (center-to-center)
- 3 different types of covers: CFC, DSC, OSC
- Robust Design & IP66 rating for outdoor use
- Through wiring for power and DMX data via IP67 connectors
- Available in DMX512 control interface option

## Ordering guide

ex: BWS409 M 4LED 40K 24V CFC DMX2W N10P20 TM

BWS409 M		24V							
Family	# of LEDs	CCT / Color	Voltage	Cover	Control	Power	Node/Spacing <sup>(1)</sup>	Method	
BWS409 M – FlashPro Compact	4LED	27K – 2700K	24V – 24V	CFC – Clear flat cover	–	1.5W	N10P20 – 10 Nodes, 200mm pixel pitch spacing	- Non track mounting TM -Track mounting	
	6LED	30K – 3000K 40K – 4000K 50K – 5000K RGB – RGB RGBWW – RGBW(3000K) RGBNW – RGBW(4000K) BL – Blue RD – Red GN – Green AM – Amber tW – Tunable White	DC	DSC – Diamond sphere cover OSC – Opal sphere cover	On/Off DMX – DMX	2W			

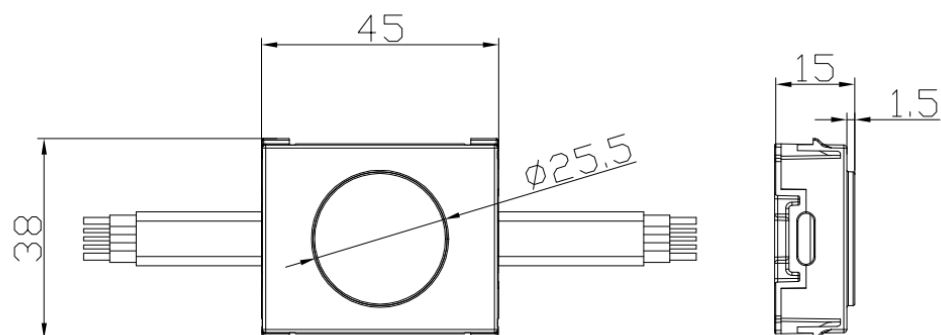
(1) Different number of nodes and spacing options are available upon request

## Product Data

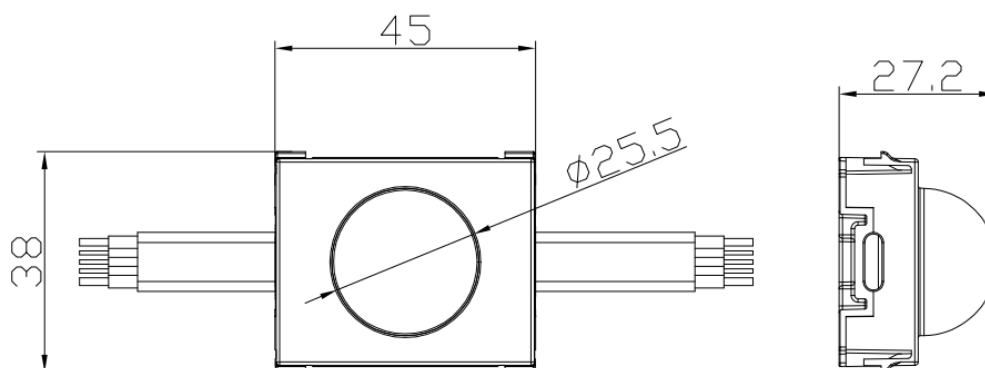
Product Family	FlashPro Compact (BWS409 M)		
Dimensions (W x H x D)	Node: 45 mm x 38 mm x 15 mm (CFC) 45 mm x 38 mm x 27.2 mm (DSC & OSC)		
Strand Length	2000 mm		
Total Number of Nodes	10 Nodes (5 nodes / meter)		
Standard Node Spacing	200mm (center-to-center)		
Source	Low power LED		
Lumen Maintenance	50,000 hrs L70B50 at 35°C		
Housing	PC fireproof plastic housing		
Color	Black RAL9011		
Lenses/Cover	Anti-aging and anti-UV PC cover		
Mounting Options	Track mounted Non-track mounted		
Max Weight	Node: 0.03Kg String: 0.5kg (2m long)		
Control Interfaces	On/Off DMX512		
Input Voltage	24V DC		
Maximum Current	6A		
IEC Classification	Class III		
Power Cable (On/Off)	2 pole flat cable L=15cm, 2x1.0mm <sup>2</sup> with connectors		
Power/Signal Cable (DMX)	5 pole flat cable L=15cm, 2x1.0mm <sup>2</sup> + 3x0.3mm <sup>2</sup> with connectors		
Connectors	IP67 male/female connectors for through wiring		
Number of LEDs	4LED	6LED	
Standard CCT/Color	tW, 4000K	RGB	RGBW(4000K)
Max Power Consumption	2W	1.5W	2W
Covers	CFC, DSC, OSC		
Standard CRI	80		
White SDCM	4		
Colors Wavelengths	R: 620 to 625nm; G: 525 to 530nm; B: 470 to 475nm		
Temperature Range	-40°C to 50°C (Operating) -35°C to 50°C (Startup) -40°C to 70°C (Storage)		
Protection Rating	IP66, IK06		
Certification	CE, CB, CQC (all in progress)		
Warranty	3 Years		
ETO Options	Custom node quantity Custom node spacing (minimum 100mm) Custom strand lengths Custom profile accessories		

Luminaire Dimensions:

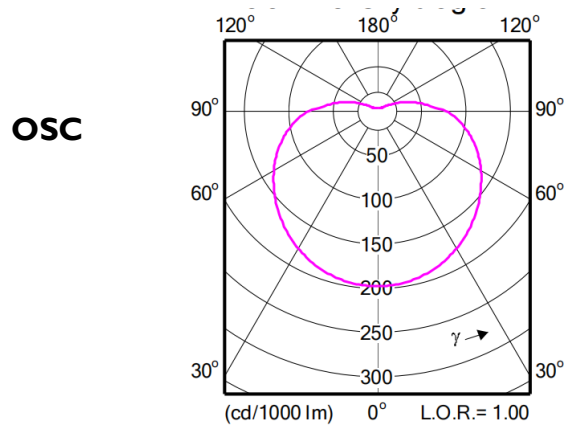
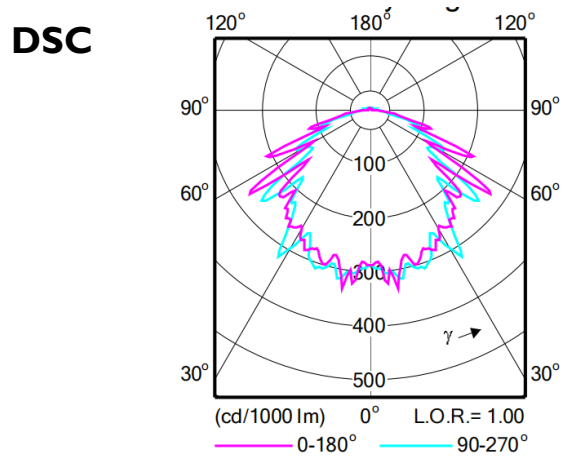
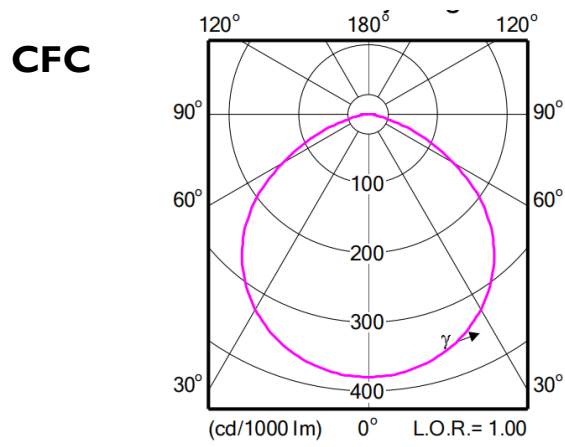
CFC



DSC & OSC



## Optical Covers



**Order Information:**

Description
BWS409 M 4LED 40K 24V CFC 2W N10P20 TM
BWS409 M 4LED 40K 24V OSC 2W N10P20 TM
BWS409 M 4LED 40K 24V DSC 2W N10P20 TM
BWS409 M 4LED 40K 24V CFC DMX2W N10P20 TM
BWS409 M 4LED 40K 24V OSC DMX2W N10P20 TM
BWS409 M 4LED 40K 24V DSC DMX2W N10P20 TM
BWS409 M 4LED tW 24V CFC DMX2W N10P20 TM
BWS409 M 4LED tW 24V OSC DMX2W N10P20 TM
BWS409 M 4LED tW 24V DSC DMX2W N10P20 TM
BWS409 M 6LED RGB 24V CFC DMX1.5W N10P20 TM
BWS409 M 6LED RGB 24V OSC DMX1.5W N10P20 TM
BWS409 M 6LED RGB 24V DSC DMX1.5W N10P20 TM
BWS409 M 6LED RGB40K 24V CFC DMX2W N10P20 TM
BWS409 M 6LED RGB40K 24V OSC DMX2W N10P20 TM
BWS409 M 6LED RGB40K 24V DSC DMX2W N10P20 TM

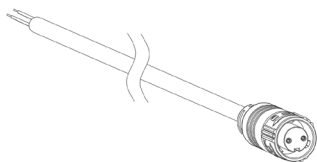
<sup>1</sup>Other options are available upon request

**Accessories:**

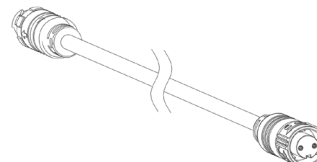
Description
ZXP390 Lead 2P DC cable 2m (10 pcs)
ZXP390 Jump 2P DC cable 2m (10 pcs)
ZXP390 Lead 5P DC/DMX cable 2m (10 pcs)
ZXP390 Jump 5P DC/DMX cable 2m (10 pcs)
ZXP390 Y-connect kit 5P DC/DMX (10 pcs)
ZXP390 Jump 5P DMX connector (10 pcs)
ZXP390 endcap male connector (20 pcs)
ZXP390 endcap female connector (20 pcs)

<sup>1</sup> Different cables lengths are available upon request

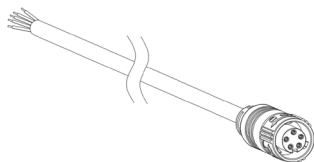
<sup>2</sup> End caps must be used at the end of each run



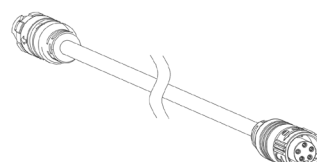
Leader cable 2P DC 2m



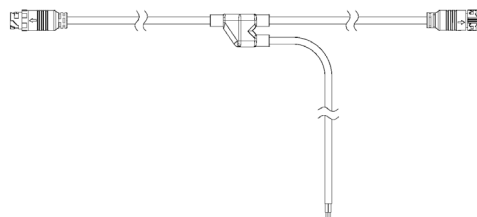
Jumper cable 2P DC 2m



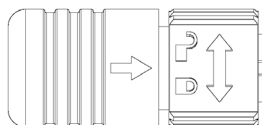
Leader cable 5P DC/DMX 2m



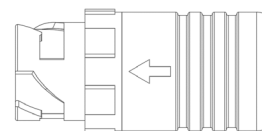
Jumper cable 5P DC/DMX 2m



Y-connector kit 5P DC/DMX



Endcap for male connectors



Endcap for female connectors

**Rated System Lumen Output ( $\pm 10\%$ ):**

**Lumen/Node**

CCT/Color (All channels On)	CFC	OSC	DSC
	DMX	DMX	DMX
4000K	130	105	150
tW	140	115	160
RGB	35	25	40
RGBNW	60	50	70



