

FlashPro Compact (BWS409 L)

FlashPro compact is a surface mounted, exterior-rated and compact sized architectural LED direct view string that is designed for façade and outdoor lighting applications.

The robust mechanical design, easy installation and unique optical lenses make FlashPro compact ideal for buildings/media facades, bridges, arenas, theaters, amusement parks and recreational centers.

Available in white, monochromatic colors, RGB, RGBW and tunable white.

Symmetrical and asymmetrical optical distributions with DMX control option to give architects and designers the freedom to explore a wide range of concepts and design with no limitations.



Key Features (BWS409 L)

- Standard: RGBNW, RGB, tW and 4000K
- Optional 2700K, 3000K, 5000K, Monochromatic Colors
- Standard pixel pitch of 200mm (center-to-center)
- 3 different types of covers: CFC, DSC, OSC
- Robust Design & IP66 rating for outdoor use
- Through wiring for power and DMX data via IP67 connectors
- Available in DMX512 control interface option

Ordering guide

ex: *BWS409 L 8LED 40K 24V DSC 3W N10P20 TM*

BWS409 L		24V						
Family	# of LEDs	CCT / Color	Voltage	Cover	Control	Power	Node/Spacing ⁽¹⁾	Method
BWS409 L – FlashPro Compact	8LED	27K – 2700K	24V – 24V DC	CFC – Clear flat cover DSC – Diamond sphere cover OSC – Opal sphere cover	– On/Off DMX – DMX	3W	N10P20 – 10 Nodes, 200mm pixel pitch spacing	– Non track mounting TM – Track mounting
	10LED	30K – 3000K						
	12LED	40K – 4000K						
		50K – 5000K						
		RGB – RGB						
		RGBWW – RGBW(3000K)						
		RGBNW – RGBW(4000K)						
		BL – Blue						
		RD – Red						
		GN – Green						
	AM – Amber							
	tW – Tunable White							

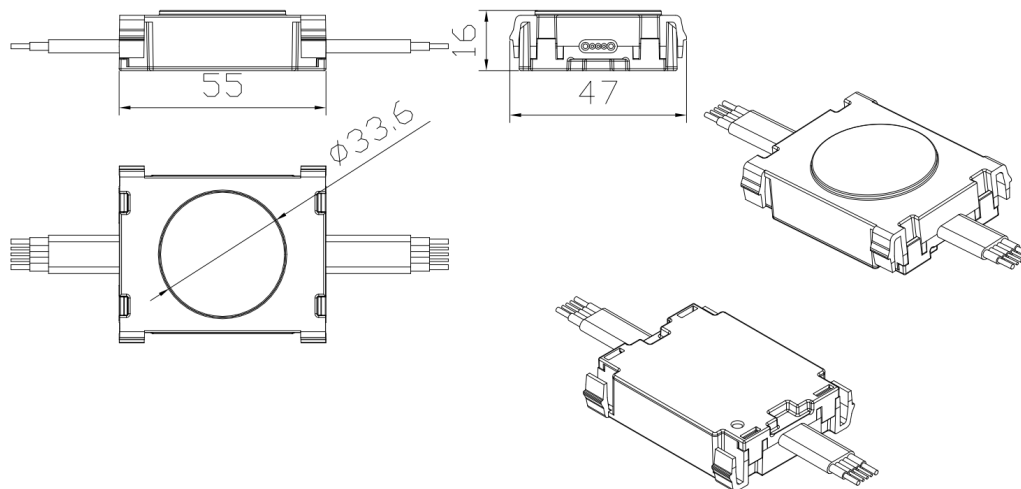
(1) Different number of nodes and spacing options are available upon request

Product Data

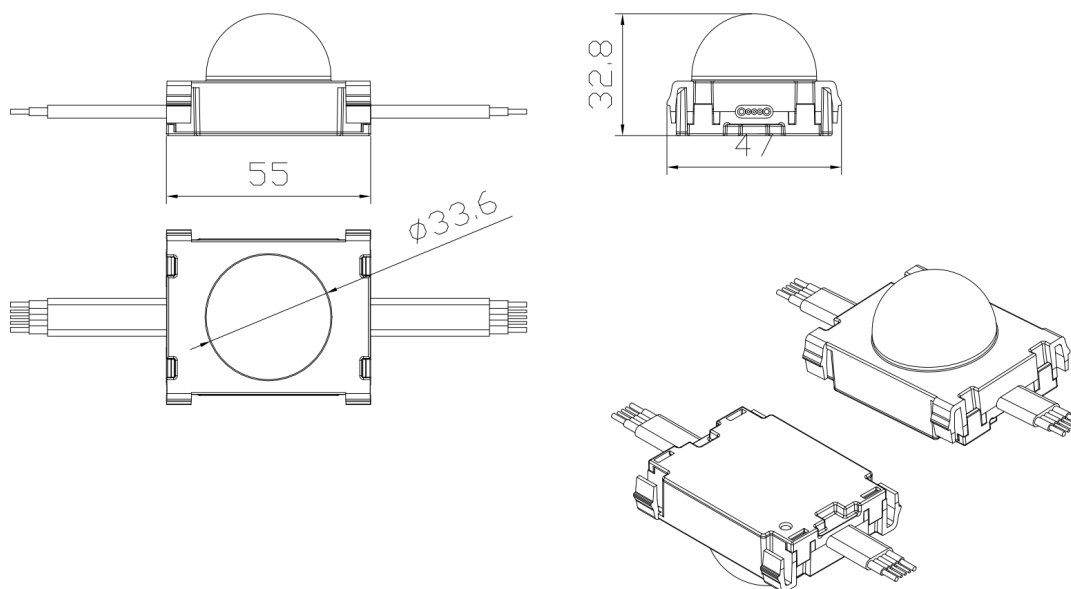
Product Family	FlashPro Compact (BWS409 L)		
Dimensions (W x H x D)	Node: 55 mm x 47 mm x 16 mm (CFC) 55 mm x 47 mm x 32.8 mm (DSC & OSC)		
Strand Length	2000 mm		
Total Number of Nodes	10 Nodes (5 nodes / meter)		
Standard Node Spacing	200mm (center-to-center)		
Source	Low power LED		
Lumen Maintenance	50,000 hrs L70B50 at 35°C		
Housing	PC fireproof plastic housing		
Color	Black RAL9011		
Lenses/Cover	Anti-aging and anti-UV PC cover		
Mounting Options	Track mounted Non-track mounted		
Max Weight	Node: 0.04Kg String: 0.6kg (2m long)		
Control Interfaces	On/Off DMX512		
Input Voltage	24V DC		
Maximum Current	6A		
IEC Classification	Class III		
Power Cable (On/Off)	2 pole flat cable L=15cm, 2x1.0mm ² with connectors		
Power/Signal Cable (DMX)	5 pole flat cable L=15cm, 2x1.0mm ² + 3x0.3mm ² with connectors		
Connectors	IP67 male/female connectors for through wiring		
Number of LEDs	8LED	12LED	10LED
Standard CCT/Color	tW, 4000K	RGB	RGBW(4000K)
Max Power Consumption	3W		
Covers	CFC, DSC, OSC		
Standard CRI	80		
White SDCM	4		
Colors Wavelengths	R: 620 to 625nm; G: 525 to 530nm; B: 470 to 475nm		
Temperature Range	-40°C to 50°C (Operating) -35°C to 50°C (Startup) -40°C to 70°C (Storage)		
Protection Rating	IP66, IK06		
Certification	CE, CB, CQC (all in progress)		
Warranty	3 Years		
ETO Options	Custom node quantity Custom node spacing (minimum 100mm) Custom strand lengths (maximum 4 meters) Custom profile accessories		

Luminaire Dimensions:

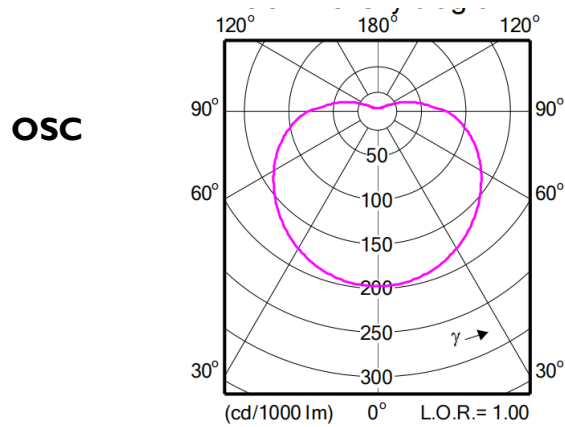
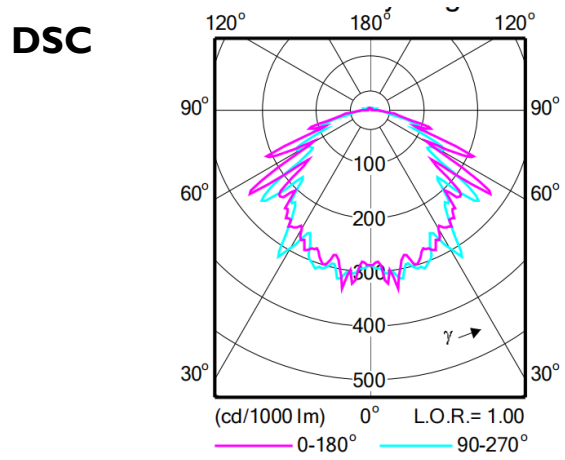
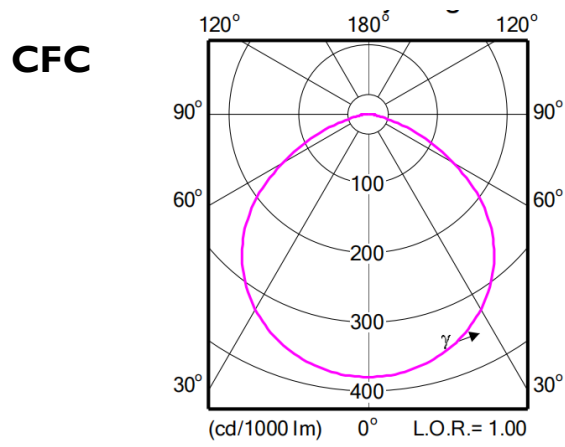
CFC



DSC & OSC



Optical Covers



Order Information:

Description
BWS409 L 8LED 40K 24V CFC 3W N10P20 TM
BWS409 L 8LED 40K 24V OSC 3W N10P20 TM
BWS409 L 8LED 40K 24V DSC 3W N10P20 TM
BWS409 L 8LED 40K 24V CFC DMX3W N10P20 TM
BWS409 L 8LED 40K 24V OSC DMX3W N10P20 TM
BWS409 L 8LED 40K 24V DSC DMX3W N10P20 TM
BWS409 L 8LED tW 24V CFC DMX3W N10P20 TM
BWS409 L 8LED tW 24V OSC DMX3W N10P20 TM
BWS409 L 8LED tW 24V DSC DMX3W N10P20 TM
BWS409 L 12LED RGB 24V CFC DMX3W N10P20 TM
BWS409 L 12LED RGB 24V OSC DMX3W N10P20 TM
BWS409 L 12LED RGB 24V DSC DMX3W N10P20 TM
BWS409 L 10LED RGB40K 24V CFC DMX3W N10P20 TM
BWS409 L 10LED RGB40K 24V OSC DMX3W N10P20 TM
BWS409 L 10LED RGB40K 24V DSC DMX3W N10P20 TM

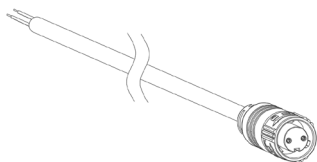
¹Other options are available upon request

Accessories:

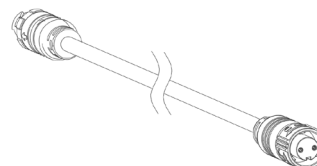
Description
ZXP390 Lead 2P DC cable 2m (10 pcs)
ZXP390 Jump 2P DC cable 2m (10 pcs)
ZXP390 Lead 5P DC/DMX cable 2m (10 pcs)
ZXP390 Jump 5P DC/DMX cable 2m (10 pcs)
ZXP390 Y-connect kit 5P DC/DMX (10 pcs)
ZXP390 Jump 5P DMX connector (10 pcs)
ZXP390 endcap male connector (20 pcs)
ZXP390 endcap female connector (20 pcs)

¹ Different cables lengths are available upon request

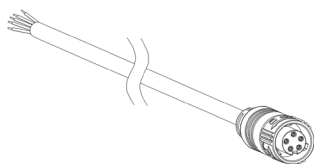
² End caps must be used at the end of each run



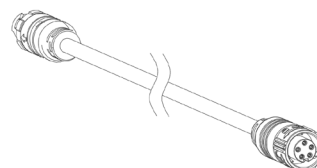
Leader cable 2P DC 2m



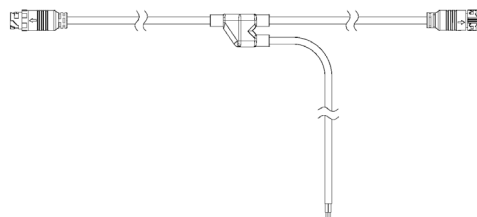
Jumper cable 2P DC 2m



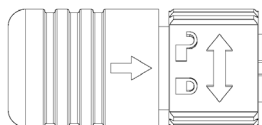
Leader cable 5P DC/DMX 2m



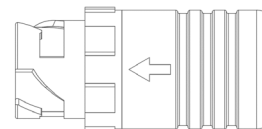
Jumper cable 5P DC/DMX 2m



Y-connector kit 5P DC/DMX



Endcap for male connectors



Endcap for female connectors

Rated System Lumen Output ($\pm 10\%$):

Lumen/Node

CCT/Color (All channels On)	CFC	OSC	DSC
	DMX	DMX	DMX
4000K	185	150	195
tW	180	145	185
RGB	70	55	70
RGBNW	100	80	105

