

GiantECO G2 Compact

GiantECO G2 Compact is a compact rectangular shaped, cost effective and exterior-rated architectural LED floodlight that is designed for façade, landscape and outdoor flood lighting applications.

The robust mechanical design and high-efficient optical design make it ideal for illuminating multi-story exterior facades.

Available in white, monochromatic colors, RGB, RGBW and tunable white.

Ten different spread lenses ranging from narrow spot, to wide flood and DMX512 control option available to give architects and designers the freedom to explore a wide range of concepts and design with no limitations.



Key Features (BVP359 MICRO)

- Standard: RGBW, 3000K and 4000K
- Optional 2700K, 5000K, Monochromatic Colors
- Wide Range of Beam Angles from Narrow Spot to Wide Flood
- Robust Design & IP66 rating for outdoor use
- Adjustable $\pm 90^\circ$ tilting angle
- Available in DMX control interface option

Ordering guide

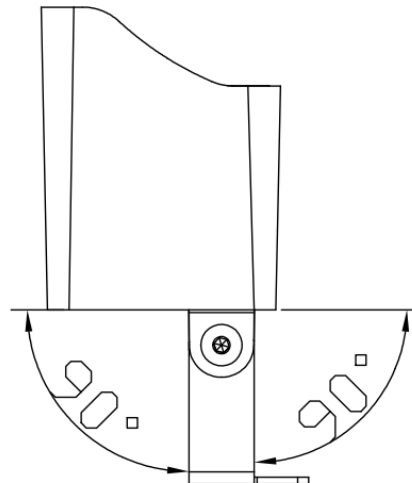
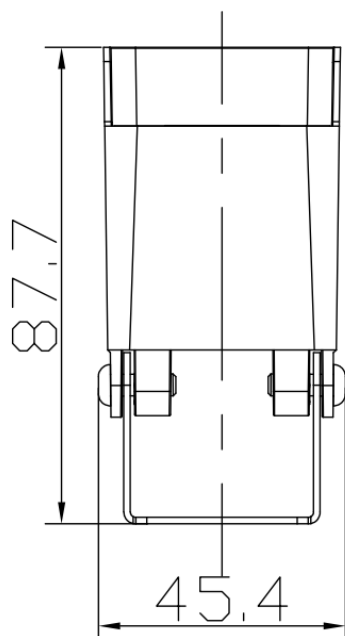
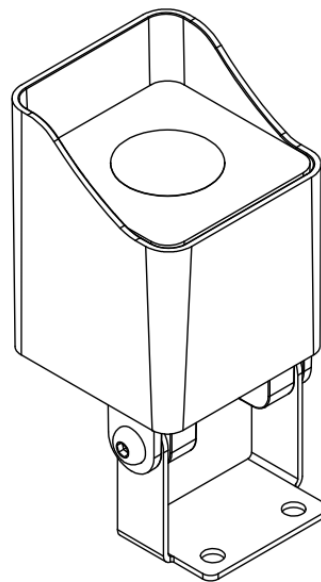
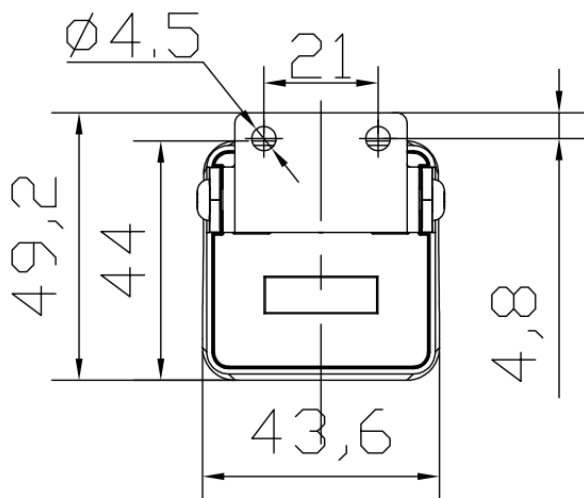
eg: BVP359 MICRO 1LED 30K 24V 10DMX 3W

BVP359 MICRO		1LED	24V			
Family	# of LEDs	CCT / Color	Voltage	Beam Angles	Control Interface	Wattage
BVP359 MICRO – GiantECO G2 Compact	1LED	27K – 2700K 30K – 3000K 40K – 4000K 50K – 5000K BL – Blue RD – Red GN – Green AM – Amber RGBWW – RGBW(3000K) RGBNW – RGBW(4000K)	24V DC	5 – 4.5° 10 – 10° 15 – 15° 25 – 25° 30 – 30° 40 – 40° 45 – 45° 60 – 60°	– On/Off DMX – DMX	3W

Product Data

Product Family	GiantECO G2 Compact (BVP359 MICRO)	
Dimensions (L x W x H)	45.4mm x 42mm x 87.7mm (with bracket)	
Source	High power LED	
Lumen Maintenance	50,000 hrsL70B50 at 35°C for White 50,000 hrsL50B50 at 35°C for RGB	
Housing	die-cast aluminum	
Finishing	Electrostatically applied polyester powder coating	
Color	Dark Grey (RAL7012)	
Bracket	SUS304	
Adjustability	Tilting angle $\pm 90^\circ$	
Lenses	Anti-aging and anti-UV high optical efficiency PMMA lenses	
Cover	Clear tempered glass	
Control Interfaces	On/Off	DMX512
Input Voltage	24V DC	
IEC Classification	Class III	
Power Cable (On/Off)	2 pole flat cable L=30cm, 2x1.0mm ²	
Signal Cable (DMX)	5 pole flat cable L=30cm, 2x1.0mm ² +3x0.3mm ²	
Cables Connectors	IP67 Male/Female	
Max Weight	0.19kg	
Standard Number of LEDs	1LED	
Standard Optics	4.5°, 10°, 15°, 25°, 30°, 40°	
Max Power Consumption	3W	
Standard CCT/Colors	3000K, 4000K, RGB30K, RGB40K	
Standard CRI	80	
White SDCM	4	
Colors Wavelength	R: 620 to 625nm; G: 525 to 530nm; B: 470 to 475nm	
Temperature Range	-40°C to 50°C (Operating) -35°C to 50°C (Startup) -40°C to 70°C (Storage)	
Protection Rating	IP66, IK06	
Certifications	CE, CB	
Warranty	3 Years	

Luminaire Dimensions:

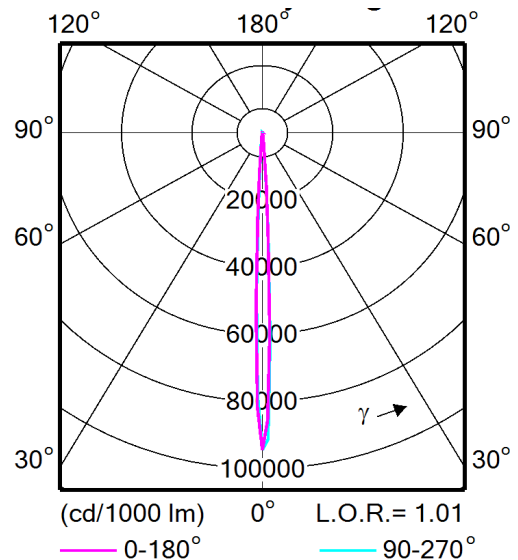


Polar Candela Distribution Curves:

4.5x4.5° Beam Angle

Features:

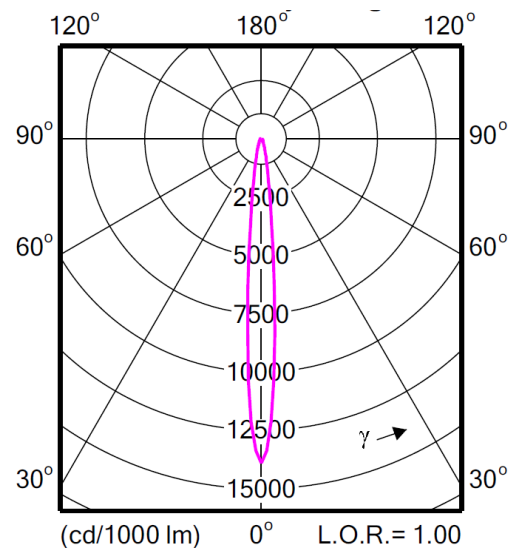
The 4.5x4.5° beam angle delivers a narrow beam with more lumens where you want them.



10x10° Beam Angle

Features:

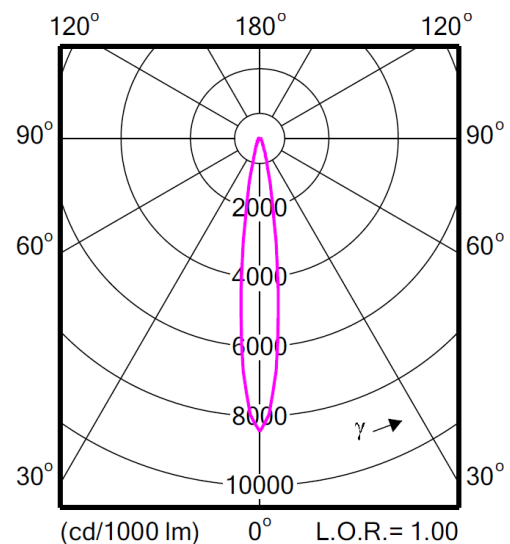
The 10x10° beam angle offers a narrow beam that can be used to highlight a small area in a building or making an ornament stands out.



15x15° Beam Angle

Features:

The 15x15° beam angle offers a medium beam distribution that can be used to highlight a small to medium area in a building or making an ornament stands out.



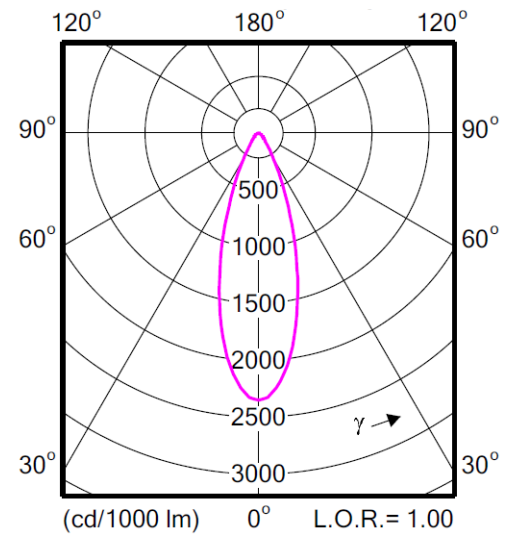
Rev. 202406

Polar Candela Distribution Curves:

30x30° Beam Angle

Features:

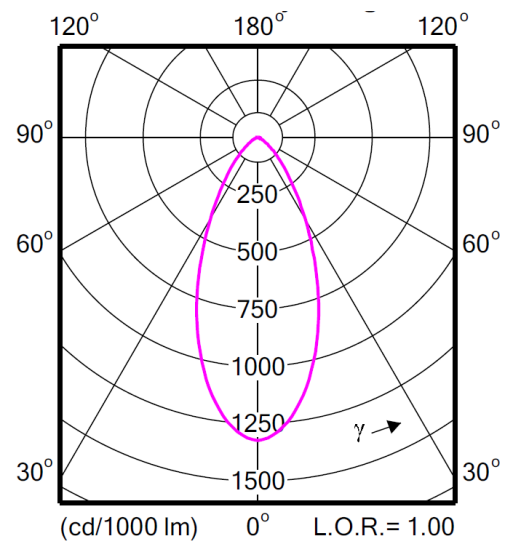
The 30x30° beam angle offers a wide beam that can be used for highlighting medium to large areas in a building or used for general façade lighting.



45x45° Beam Angle

Features:

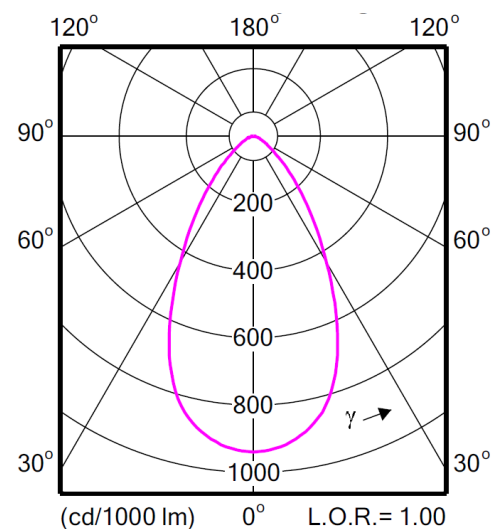
The 45x45° beam angle offers a wide beam that can be used for highlighting large and wide areas in a building or used for general façade lighting.



60x60° Beam Angle

Features:

The 60x60° beam angle offers a wide flood distribution that can be used to highlight larger and wider areas in a building or for general façade lighting.

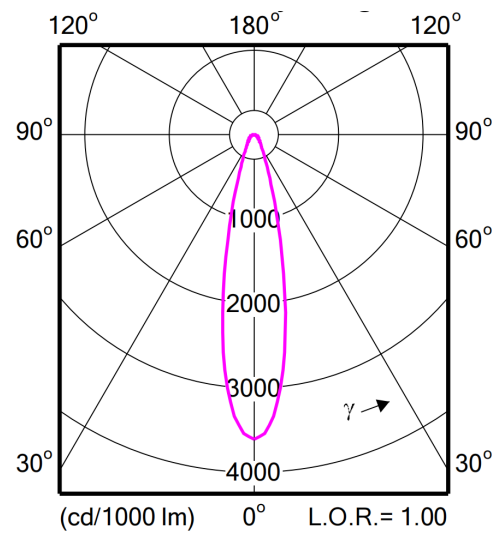


Polar Candela Distribution Curves:

25x25° Beam Angle

Features:

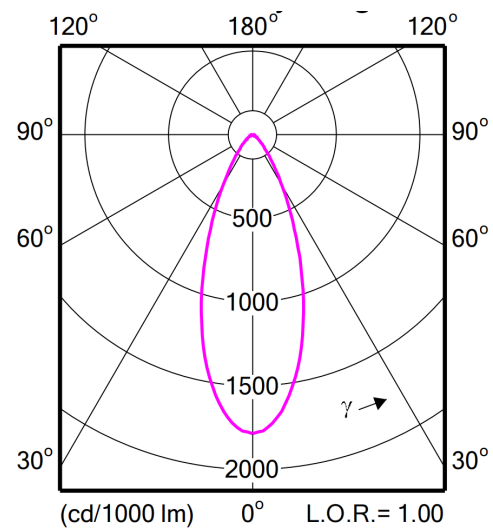
The 25x25° beam angle offers a wide beam that can be used for highlighting medium to large areas in a building or used for general façade lighting. (for RGBW 4in1 LED only)



40x40° Beam Angle

Features:

The 40x40° beam angle offers a wide beam that can be used for highlighting large and wide areas in a building or used for general façade lighting. (for RGBW 4in1 LED only)



Order Information:

Description
BVP359 MICRO 1LED 30K 24V 5 3W
BVP359 MICRO 1LED 40K 24V 5 3W
BVP359 MICRO 1LED 30K 24V 10 3W
BVP359 MICRO 1LED 40K 24V 10 3W
BVP359 MICRO 1LED 30K 24V 15 3W
BVP359 MICRO 1LED 40K 24V 15 3W
BVP359 MICRO 1LED 30K 24V 30 3W
BVP359 MICRO 1LED 40K 24V 30 3W
BVP359 MICRO 1LED 30K 24V 5DMX 3W
BVP359 MICRO 1LED 40K 24V 5DMX 3W
BVP359 MICRO 1LED 30K 24V 10DMX 3W
BVP359 MICRO 1LED 40K 24V 10DMX 3W
BVP359 MICRO 1LED 30K 24V 15DMX 3W
BVP359 MICRO 1LED 40K 24V 15DMX 3W
BVP359 MICRO 1LED 30K 24V 30DMX 3W
BVP359 MICRO 1LED 40K 24V 30DMX 3W
BVP359 MICRO 1LED RGB30K 24V 15DMX 3W
BVP359 MICRO 1LED RGB40K 24V 15DMX 3W
BVP359 MICRO 1LED RGB30K 24V 25DMX 3W
BVP359 MICRO 1LED RGB40K 24V 25DMX 3W
BVP359 MICRO 1LED RGB30K 24V 40DMX 3W
BVP359 MICRO 1LED RGB40K 24V 40DMX 3W

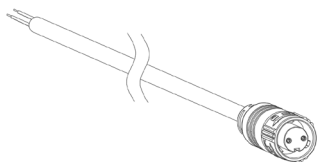
¹Other options are available upon request

Accessories:

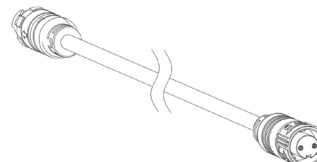
Description
ZXP390 Lead 2P DC cable 2m (10 pcs)
ZXP390 Jump 2P DC cable 2m (10 pcs)
ZXP390 Lead 5P DC/DMX cable 2m (10 pcs)
ZXP390 Jump 5P DC/DMX cable 2m (10 pcs)
ZXP390 Y-connect kit 5P DC/DMX (10 pcs)
ZXP390 Jump 5P DMX connector (10 pcs)
ZXP390 endcap male connector (20 pcs)
ZXP390 endcap female connector (20 pcs)

¹ Different cables lengths are available upon request

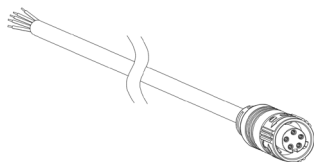
² End caps must be used at the end of each run



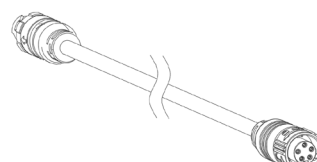
Leader cable 2P DC 2m



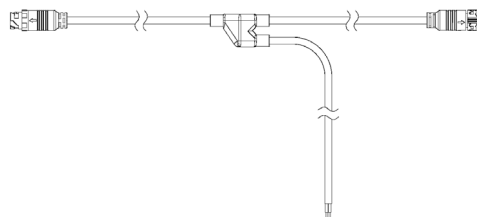
Jumper cable 2P DC 2m



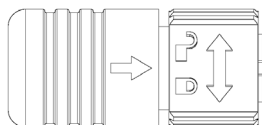
Leader cable 5P DC/DMX 2m



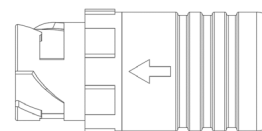
Jumper cable 5P DC/DMX 2m



Y-connector kit 5P DC/DMX



Endcap for male connectors



Endcap for female connectors

Rated System Lumen Output ($\pm 10\%$):

CCT/Color (All channels On)	4.5°	10°	15°	25°	30°	40°
	DMX	DMX	DMX	DMX	DMX	DMX
3000K	75	130	135	-	140	-
4000K	100	145	150	-	155	-
RGBWW	-	-	40	45	-	45
RGBNW	-	-	40	45	-	45

