

# Giant G2 Triple Head (BVP349 G2T)

Giant G2 is a rectangular shaped and exterior-rated architectural LED floodlight that is designed for façade, landscape and outdoor flood lighting applications.

The robust mechanical design and high-efficient optical design make it ideal for illuminating high story exterior facades, bridges, landmarks and monuments.

Available in white, monochromatic colors, RGB, RGBW and tunable white.

Nine different spread lenses ranging from narrow spot, to wide flood and DMX512/RDM control option available to give architects and designers the freedom to explore a wide range of concepts and design with no limitations.

## Key Features

- Standard: RGBW, RGB, 3000K and 4000K
- Optional 2700K, 5000K, 6500K, Monochromatic Colors and Tunable White
- Wide Range of Beam Angles from Narrow Spot to Wide Flood
- 1 foot-candle at up to 773m (4000K, 3° lens)
- Robust Design & IP66 rated for outdoor use
- Adjustable  $\pm 25^\circ$  for each head, and  $\pm 45^\circ$  for bracket tilting angle
- Available in DMX512/RDM control interface option



## Ordering guide

ex: *BVP349 G2T 360LED40K220VDMX900W*

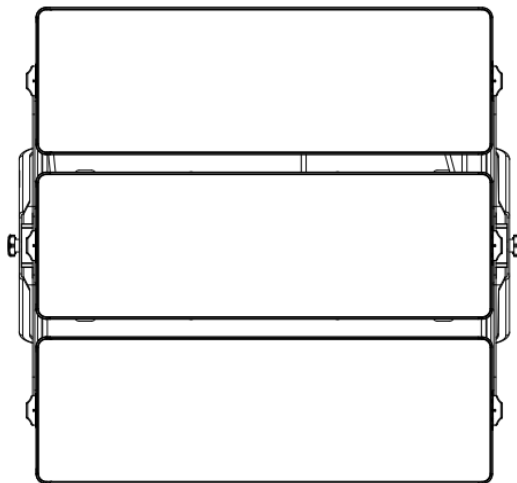
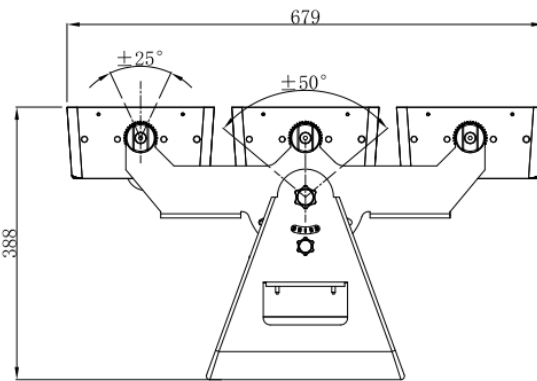
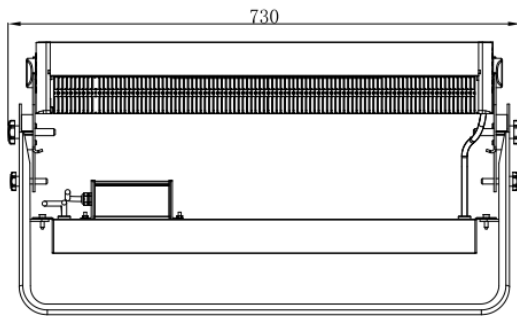
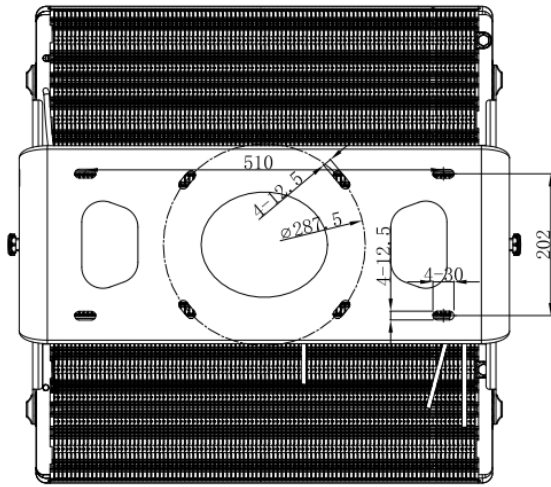
BVP349 G2T			220V			
Family	# of LEDs <sup>(1)</sup>	CCT / Color	Voltage	Beam Angles	Control	Power
BVP349 G2T – Giant G2 Triple	216LED	27K – 2700K	220V – 220-240V AC	3 – 3°x3°	– On/Off DMX – DMX/RDM	
	360LED	30K – 3000K 40K – 4000K 50K – 5000K RGB – RGB RGBA - RGBA tW – Tunable White RGBWW – RGBW(3000K) RGBNW – RGBW(4000K) BL – Blue RD – Red GN – Green AM – Amber		5 – 4.5°x4.5° 10 – 10°x10° 15 – 15°x15° 25 – 25°x25° 30 – 30°x30° 40 – 40°x40° 45 – 45°x45° 60 – 60°x60°		

(1) 216LED is only available in 3 degree

## Product Data

Product Family	Giant G2 Triple (BVP349 G2T)	
Dimensions (W x H x D)	730mm x 679mm x 388mm (with bracket)	
Source	High power LED	
Lumen Maintenance	50,000 hrs L70B50 at 35°C	
Housing	Extruded housing	
Finishing	Electrostatically applied polyester powder coating	
Color	Dark Grey RAL7012	
Bracket	Cold-rolled iron plate	
Adjustability	Adjustable $\pm 25^\circ$ for each head, and $\pm 45^\circ$ for bracket tilting angle	
Lenses	Anti-aging and anti-UV high optical efficiency PMMA lenses	
Cover	Clear tempered glass	
Max Weight	41.5kg	
Control Interfaces	On/Off	DMX512/RDM (RDM reports address and status)
Input Voltage	220-240 VAC, 50/60Hz	
Inrush Current <sup>(1)</sup>	$\leq 180A$ $\leq 3s$ (cold start 230Vac/50Hz measured at 50% I <sub>peak</sub> )	
Maximum Number of Luminaires on MCB Rating	216LED	360LED
16A MCB <sup>(1)</sup>	900W: 3 units (Type C)	3 units (Type C)
	540W: 5 units (Type C)	
63A MCB <sup>(1)</sup>	900W: 14 units (Type C)	14 units (Type C)
	540W: 23 units (Type C)	
Total Harmonic Distortion	< 20%	
IEC Classification	Class I	
Power Cable	3 pole round cable L=50cm, 3x1.0mm <sup>2</sup> with flying wires	
Signal Cable	4 pole round cable L=50cm, 4x0.50mm (DMX versions only)	
Cables Connectors	IP67 Male/Female connectors for DMX through wiring (for DMX only)	
Number of LEDs	216LED	360LED
Beam Angles	3°	4.5°, 10°
Max Power Consumption	900W for White 540W for RGB/RGBW	900W
Standard CCT	3000K, 4000K	
Standard Colors	RGB, RGBNW, RGBWW	
Standard CRI	80	
White SDCM	4	
Colors Wavelengths	R: 620 to 625nm; G: 525 to 530nm; B: 470 to 475nm	
Temperature Range	-40°C to 50°C (Operating) -35°C to 50°C (Startup) -40°C to 70°C (Storage)	
Protection Rating	IP66, IK06	
Certifications	CE, CB	
Warranty	3 Years	

## Luminaire Dimensions:



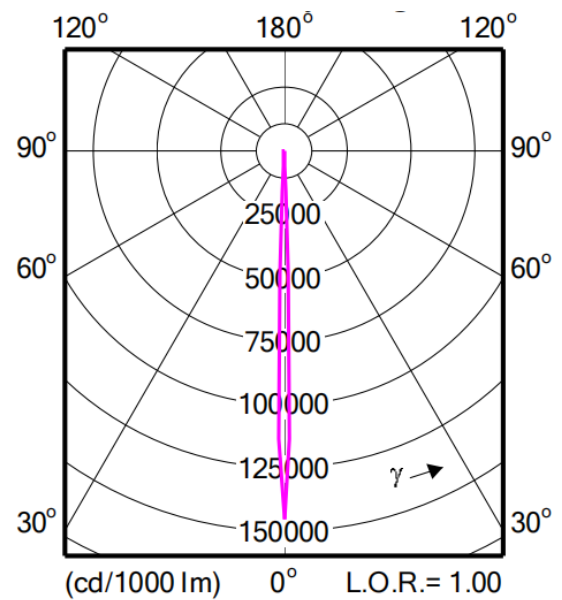
## Polar Candela Distribution Curves:

### 3x3° Beam Angle

#### Features:

The 3x3° beam angle delivers a very narrow beam with more lumens where you want them.

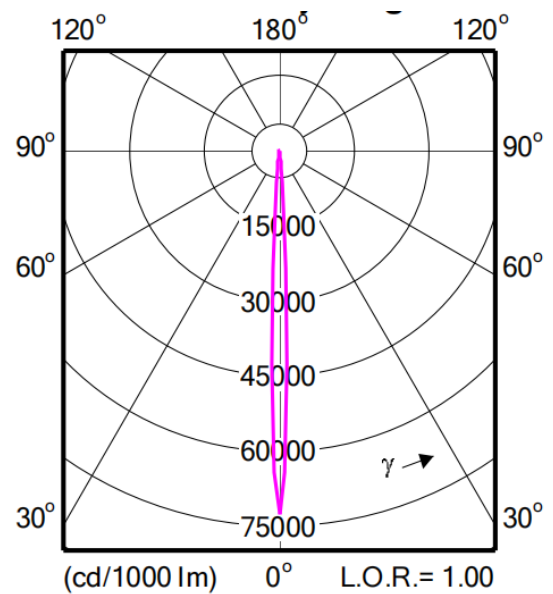
Available only for 216LED version



### 4.5x4.5° Beam Angle

#### Features:

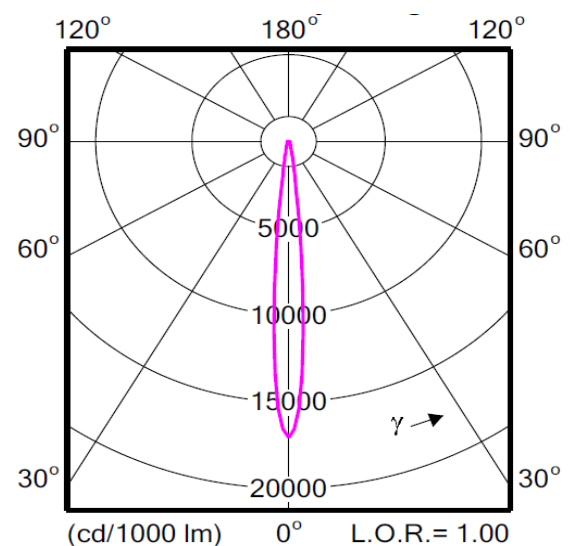
The 4.5x4.5° beam angle offers a narrow beam that can be used to highlight a small area in a building or making an ornament stands out.



### 10x10° Beam Angle

#### Features:

The 10x10° beam angle offers a narrow beam that can be used to highlight a small area in a building or making an ornament stands out.

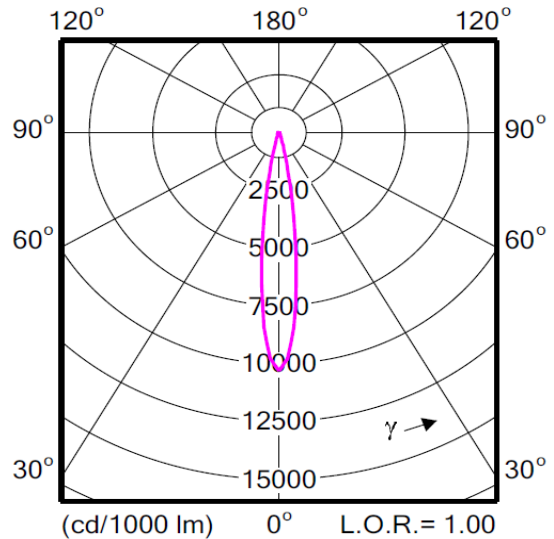


## Polar Candela Distribution Curves:

### 15x15° Beam Angle

**Features:**

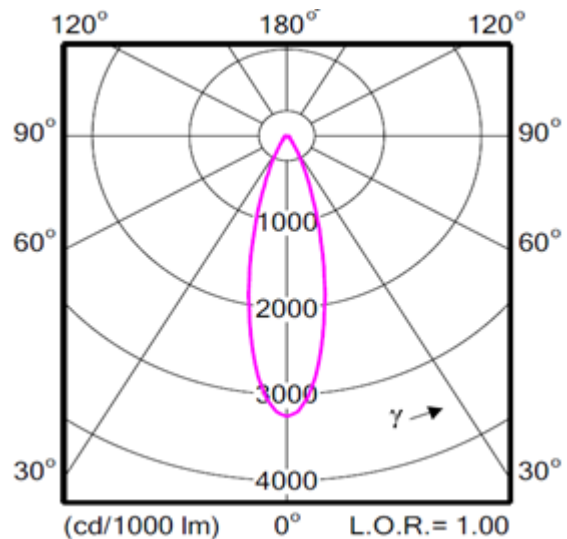
The 15x15° beam angle offers a medium beam distribution that can be used to highlight a small to medium area in a building or making an ornament stand out.



### 30x30° Beam Angle

**Features:**

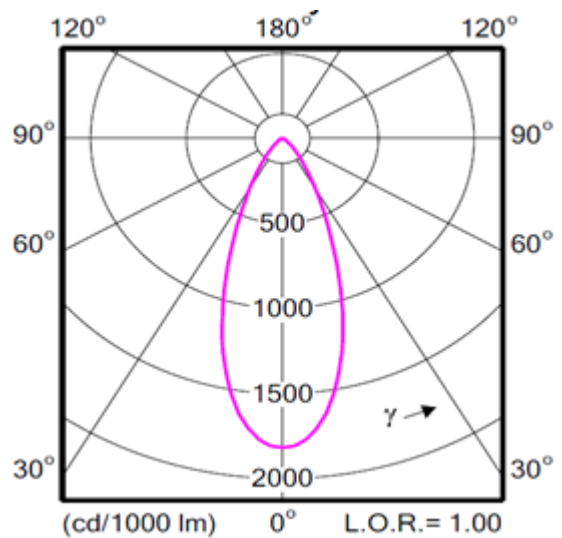
The 30x30° beam angle offers a wide beam that can be used for highlighting medium to large areas in a building or used for general façade lighting.



### 45x45° Beam Angle

**Features:**

The 45x45° beam angle offers a wide beam that can be used for highlighting large and wide areas in a building or used for general façade lighting.



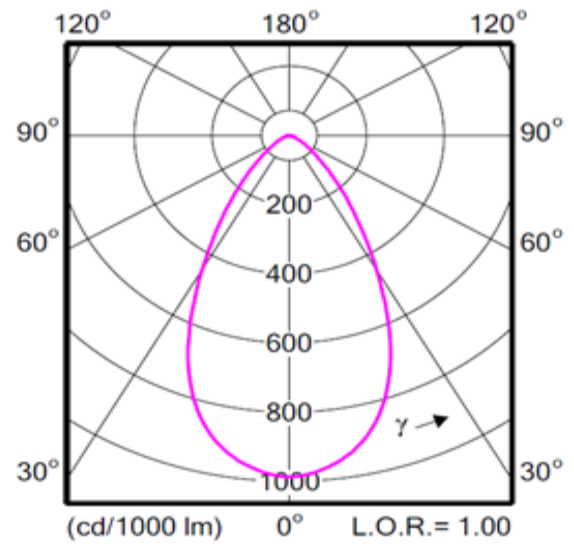
Rev. 202406

## Polar Candela Distribution Curves:

### 60x60° Beam Angle

#### Features:

The 60x60° beam angle offers a wide flood distribution that can be used to highlight larger and wider areas in a building or for general façade lighting.



**Order Information:**

Description
BVP349 G2T 360LED30K 220V 5 900W
BVP349 G2T 360LED40K 220V 5 900W
BVP349 G2T 360LED30K 220V 10 900W
BVP349 G2T 360LED40K 220V 10 900W
BVP349 G2T 360LED30K 220V 5DMX 900W
BVP349 G2T 360LED40K 220V 5DMX 900W
BVP349 G2T 360LEDRGB 220V 5DMX 900W
BVP349 G2T 360LEDRGB40K 220V 5DMX 900W
BVP349 G2T 360LEDRGB30K 220V 5DMX 900W
BVP349 G2T 360LED30K 220V 10DMX 900W
BVP349 G2T 360LED40K 220V 10DMX 900W
BVP349 G2T 360LEDRGB 220V 10DMX 900W
BVP349 G2T 360LEDRGB40K 220V 10DMX 900W
BVP349 G2T 360LEDRGB30K 220V 10DMX 900W
BVP349 G2T 216LED30K 220V 3 900W
BVP349 G2T 216LED40K 220V 3 900W
BVP349 G2T 216LED30K 220V 3DMX 900W
BVP349 G2T 216LED40K 220V 3DMX 900W
BVP349 G2T 216LEDRGB 220V 3DMX 540W
BVP349 G2T 216LEDRGB40K 220V 3DMX 540W
BVP349 G2T 216LEDRGB30K 220V 3DMX 540W

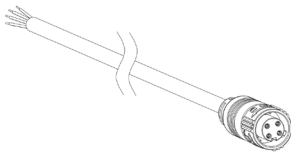
!Other options are available upon request

## Accessories:

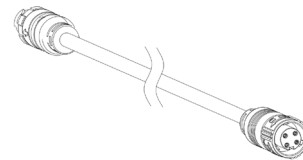
Description
ZXP390 Lead 4P DMX cable 2m (10 pcs)
ZXP390 Jump 4P DMX cable 2m (10 pcs)
ZXP390 endcap male connector (20 pcs)
ZXP390 endcap female connector (20 pcs)

<sup>1</sup> Different cables lengths are available upon request

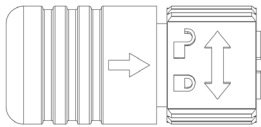
<sup>2</sup> End caps must be used at the end of each run



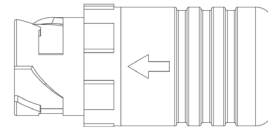
Leader cable 4P DMX 2m



Jumper cable 4P DMX 2m



End cap for male connectors



End cap for female connectors



**Rated System Lumen Output ( $\pm 10\%$ ):**

CCT/Color (All channels On)	3°	4.5°	10°
	DMX	DMX	DMX
3000K	27541	22705	38040
4000K	29523	30725	42440
RGB	10345	17105	20880
RGBNW	12520	20695	26550
RGBWW	11260	18615	25410

