

BRP500

Mounting Instruction



RoHS

ta50°C

IP66
IK08

220-240V
50/60Hz



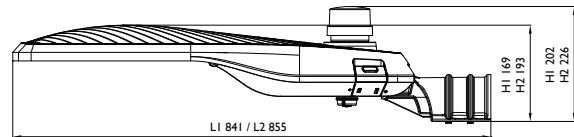
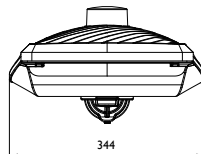
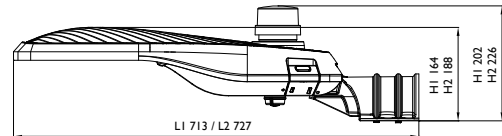
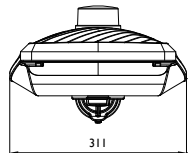
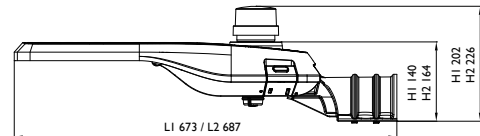
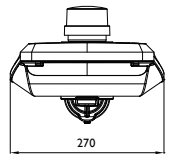
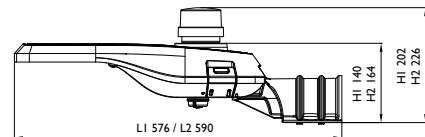
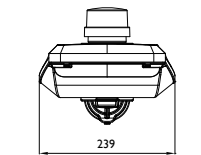
Item	CCT	Power/W	OPTIC	POLE	Class	Wind force (m ²)	Weight (Kg)
BRP500	NW(4000K) WW(3000K) CW(5700K) 727(2700K)	20W	UWV UMV	D60 D76	Class I	0.105	4.44
		45W					
		80W				0.145	6.18
		100W					
		150W				0.18	7.35
		220W					

This product contains a light source of energy efficiency class E.

Maximum Number of Luminaire on MCB 16 A Type C 1.6 time of type B for MCB 16A	Maxium number of luminaire on MCB 16A Type B	Alternative Program Driver Inrush current	Driver description	Products
The electrical circuit touch current or protective conductor current (in Some cases refereed to Earch Leakage current) may be greatly dependent upon electrical supply cables used such as its rating and length. Proper connection of Electrical supply cables to Luminaires and wiring connection topology of luminaires to the supply electrical circuit amongst other site conditions	22	48A/110us@230V	Xi_LP_40W_0.3-1.05A_S1_WL_I150_929003414280	BRP500
	18	35A/210us@230V	Xi_LP_65W_0.3-1.05A_S1_WL_I150_929003414380	
	9	48A/278us@230V	Xi_LP_100W_0.5-1.5A_S1_WL_I155_929002879280	
	9	45A/315us@230V	Xi_LP_150W_0.5-1.5A_S1_WL_I175_929002879380	
	4	44A/442us@230V	Xi_LP_250W_0.3-1.05A_S1_WL_I215_929003389180	
	4	44A/442us@230V	Xi_LP_250W_0.5-1.5A_S1_WL_I215_929003389280	
	30	18A/280us@230V	Xi_FP_40W_0.3-1.0A_SNLDAE_230V_C123_sXt_929002165306	
	10	43A/260us@230V	Xi_FP_75W_0.3-1.0A_SNLDAE_230V_C133_sXt_929002872906	
	10	43A/260us@230V	Xi_FP_75W_0.3-1.0A_SNLDAE_230V_C133_sXt_929002872906	
	10	47A/250us@230V	Xi_FP_110W_0.2-0.7A_SNLDAE_230V_C133_sXt_929002873106	
	9	77A/150us@230V	Xi_FP_165W_0.2-0.7A_SNLDAE_230V_C170_sXt_929002874906	
	4	43A/260us@230V	Xi_FP_75W_0.3-1.0A_SNLDAE_230V_C133_sXt_929002872906	
	4	77A/150us@230V	Xi_FP_165W_0.2-0.7A_SNLDAE_230V_C170_sXt_929002874906	
	21	21A/300us@230V	Xi_SR_40W_0.3-1.0A_SNEMP_230V_C133_sXt_929002179106	
	26	49A/290us@230V	Xi_SR_110W_0.2-1.0A_SNEMP_230V_C150_sXt_929002859606	
	14	14A/110us@230V	Xi_SR_165W_0.2-1.0A_SNEMP_230V_C170_sXt_929003389606	
	7	49A/290us@230V	Xi_SR_75W_0.2-1.0A_SNEMP_230V_C150_sXt_929002859506	
			14A/110us@230V	

Dimensions

BRP500

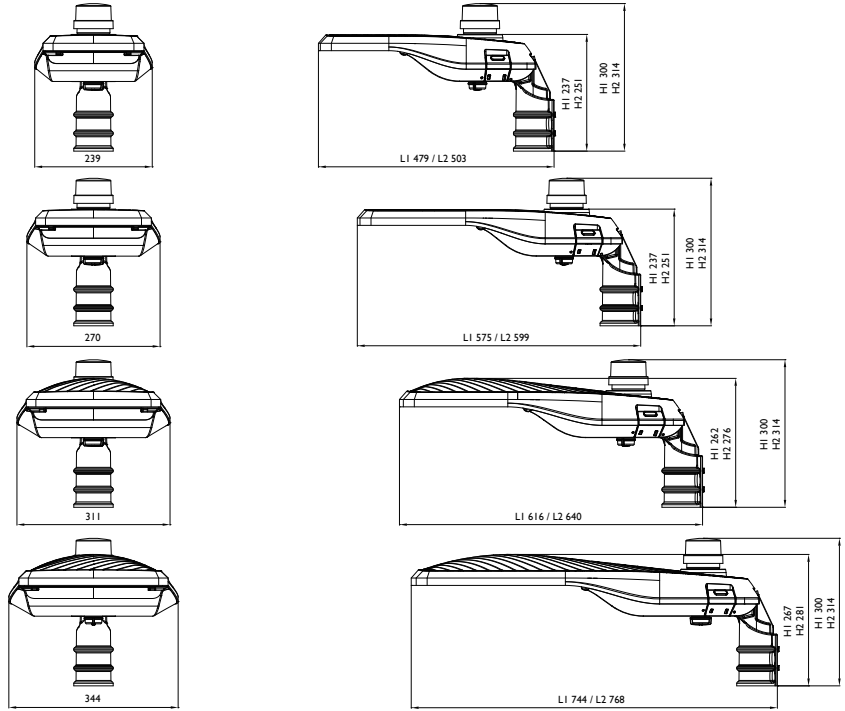


Unit:mm

L1 & H1: Luminaire with D60 spigot
L2 & H2: Luminaire with D76 spigot

Dimensions

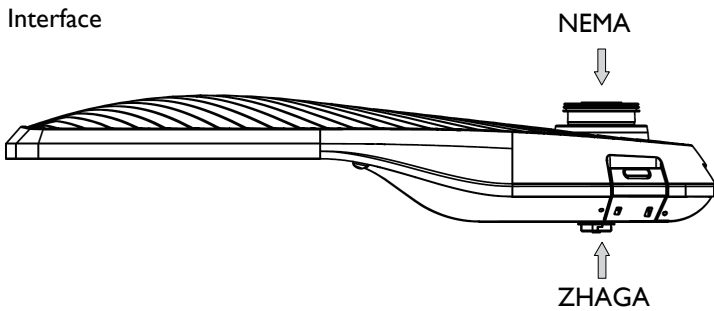
BRP500



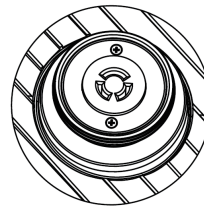
Unit:mm

L1 & H1: Luminaire with D60 spigot
L2 & H2: Luminaire with D76 spigot

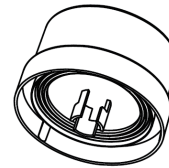
Interface



NEMA Socket



Shorting Cap



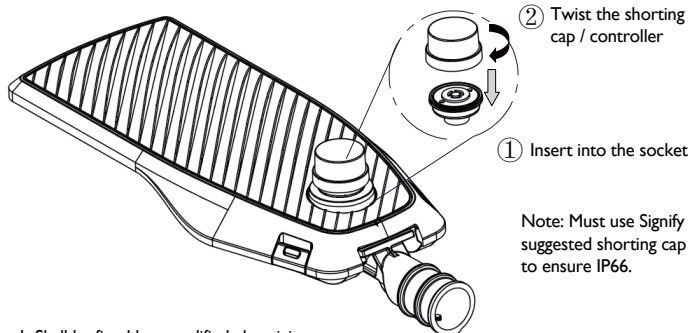
Zhaga Socket



Cover

Assemble shorting cap only for P7 NEMA version.

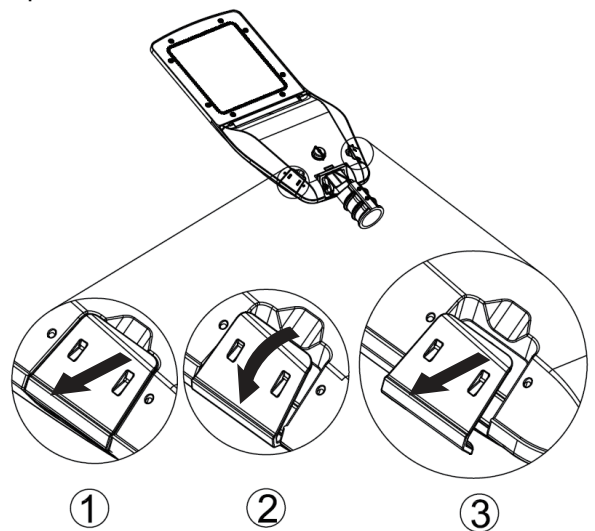
Install the shorting cap on the NEMA socket.



Note: Must use Signify suggested shorting cap to ensure IP66.

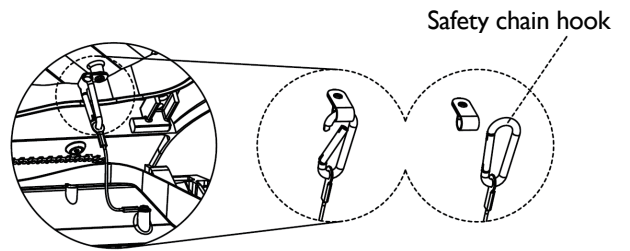
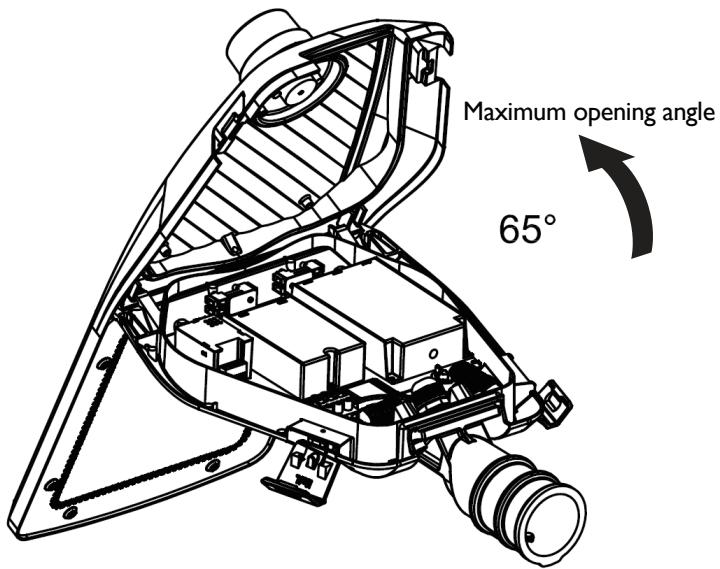
1. Shall be fixed by a qualified electrician.
2. Shall be fixed clockwise until the end. Rotation angle is about 10°
3. Shorting cap provided with the luminaire is rated for 3 years service life.
4. Shorting cap should be replaced with intended device or replaced within 3 years.

I Open the luminaire

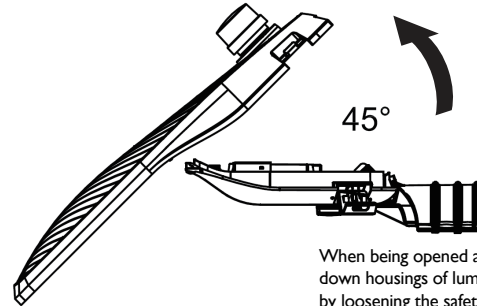


ATTENTION: Matching Instructions of NEMA Socket and Shorting Cap:

- The NEMA Socket used for BRP500 must meet the requirements of ANSI C136.10 and ANSI C136.41 standard locking size and pass UL certification.
- The NEMA Socket used for BRP500 and the matched shorting cap must meet the IP66 test requirements.
- Without the permission of the manufacturer, the NEMA Socket and shorting cap cannot be replaced at will.
The quality risks caused by the changes are borne by the customer, and the product no longer meets the warranty terms.



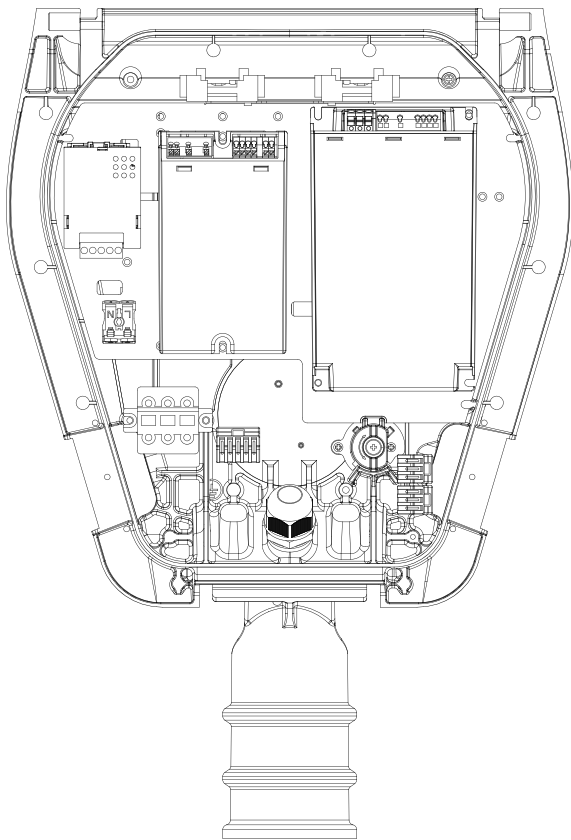
Attention: The up housing have the risk to fall off if the safety chain is not installed properly!



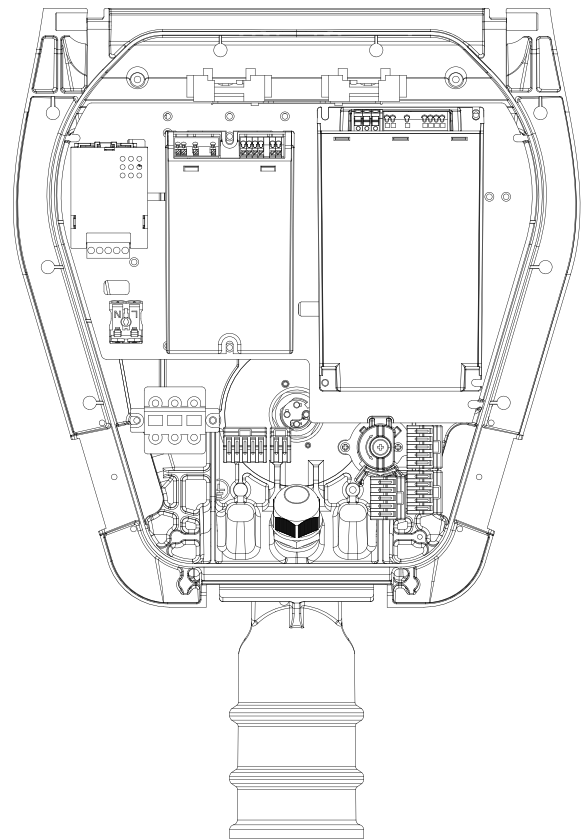
When being opened at 45 degrees, the up and down housings of luminaire can be dismantled by loosening the safety chain.

2 Connect the cable

Fix

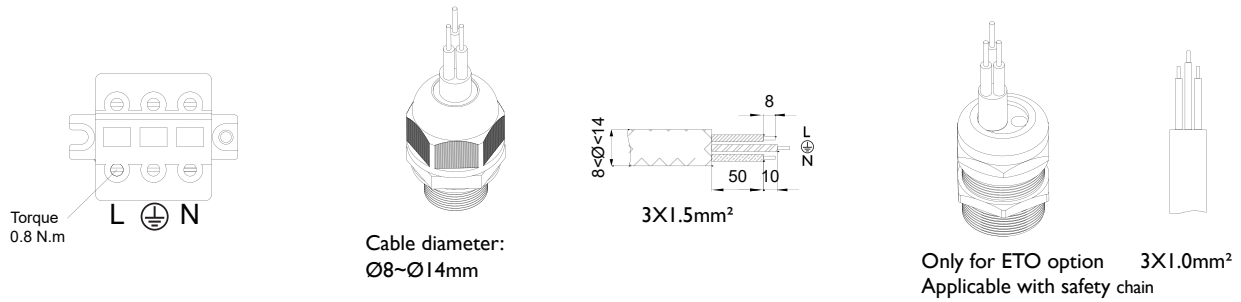


Programmable

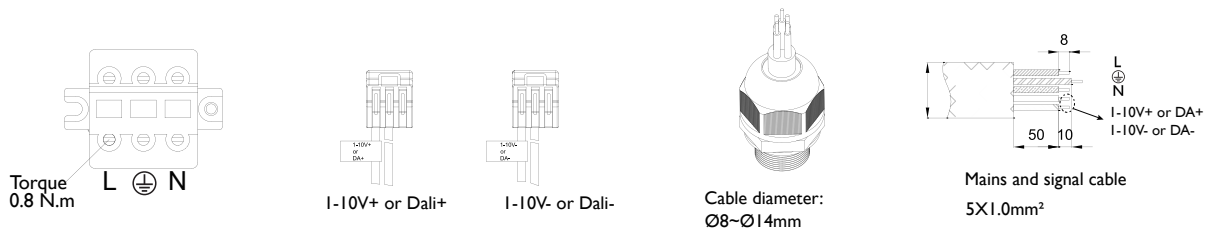


Feed the cable into the luminaire through the cable gland

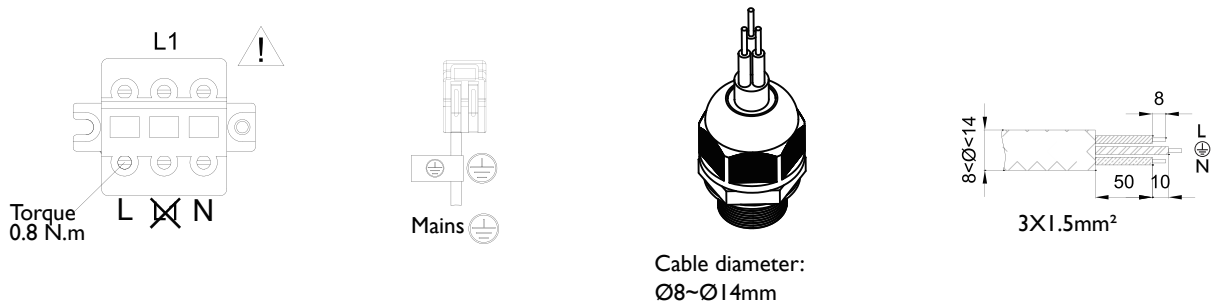
Fix



Programmable: I-10V or DALI



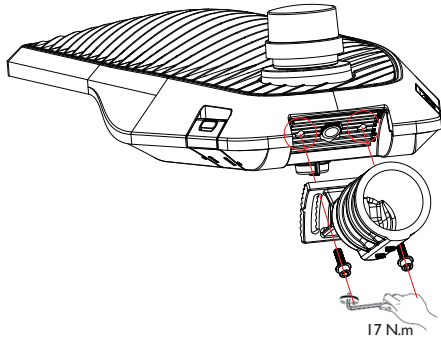
Programmable: NEMA + ZHAGA



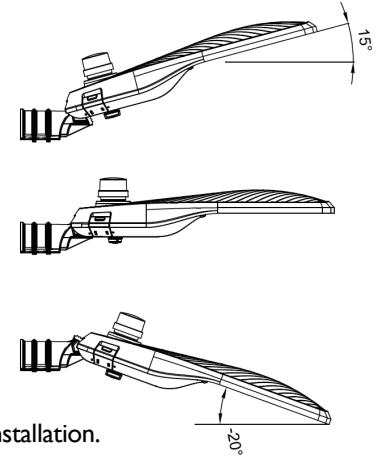
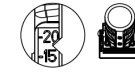
Attention: Do not wire the terminal L1 tunnel. The earth wire shall be connected to the connector as shown above.

Notice: Correct connection for polarities / protection class type

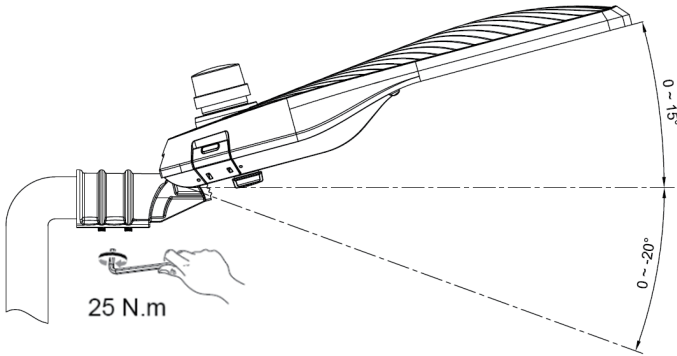
3 Adjust the tilt angle



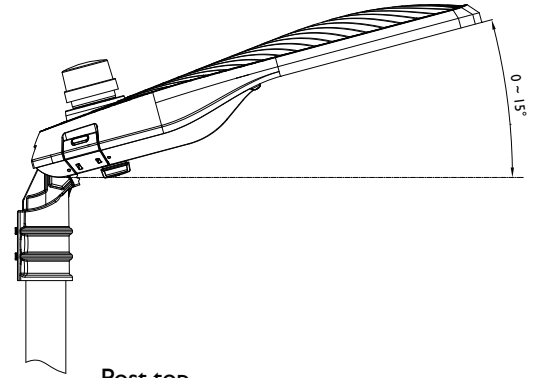
Tilt steps



Choose the target tilt angle before installation. Dismount the spigot to adjust tilt steps after installation.

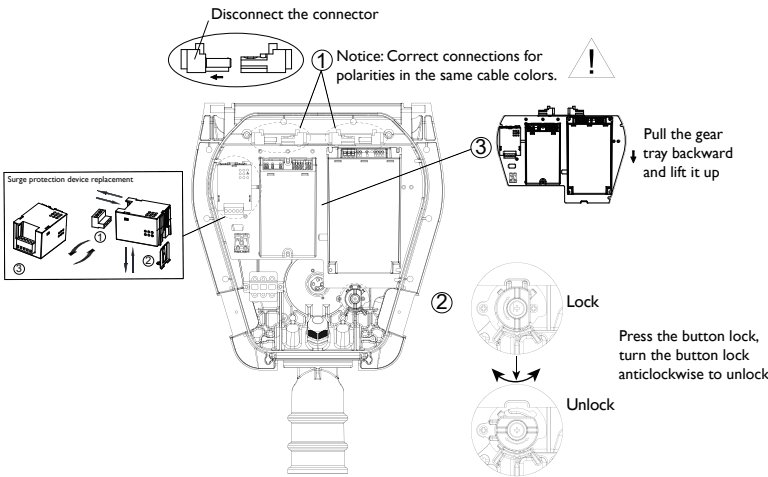


Side entry

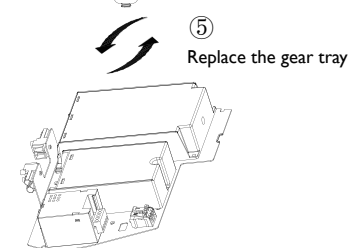
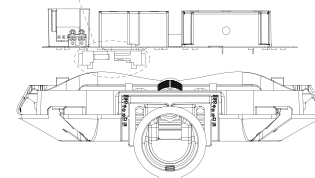
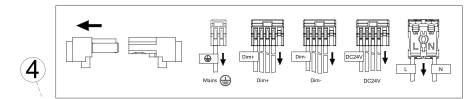


Post top

4 Surge protection device and / or gear tray replacement



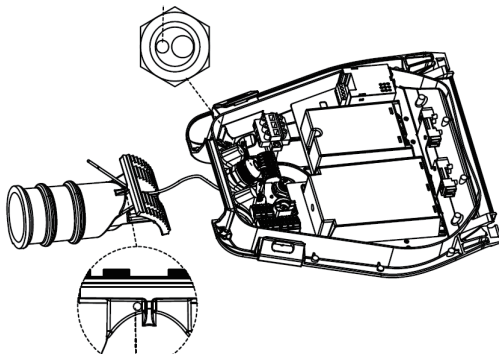
Disconnect the connectors and dismount the gear tray



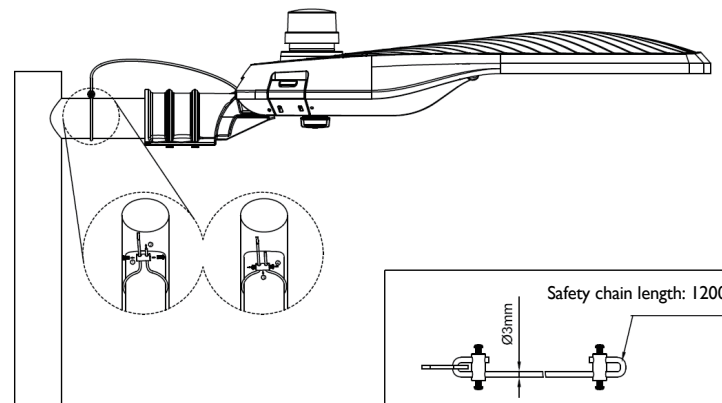
Reverse above steps to mount the gear tray

5 The mounting of the optional luminaire safety chain

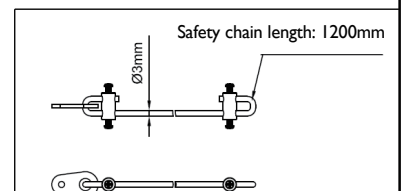
The through-hole of safety chain



The through-hole of safety chain



Attention: The pole must be grounded properly.





Warning

1. The luminaire shall be installed by a qualified electrician and wired in accordance with the latest IEEE electrical regulations or the national requirements.
2. Turn power off before inspection, installation or removal.
3. The light source and/or control gear and/or the external flexible cable contained in this luminaire shall only be replaced by the manufacturer or his service agent or a similar qualified person.
4. Refer to technical datasheet for additional electrical properties to ensure safe installation.
5. Luminaire installed must not be in contact with combustible materials.
6. Ensure power supply cables (L-N / L-N-E) are connected correctly before switching on.
7. The insulation between LV and control circuit is basic insulation.
8. Please inform yourself about the local waste disposal, separation and collection system for electrical and electronic products and packaging. Please act according to your local rules and do not dispose your old product and packaging with your normal household waste. The correct disposal of the packaging, your product and/or batteries will help prevent potential negative consequences for the environment and human health. Batteries should be disposed separately from the municipal waste stream via designated collection facilities. When disposing a product that contains non-user replaceable batteries, the non-user replaceable batteries shall be removed by a professional.



Maintenance

1. Ensure power supply is switched off before attempting any maintenance work.
2. Periodic cleaning of the luminaire optical lens cover will ensure maximum optical efficiency.
3. Luminaire optical lens cover shall be cleaned with clean water and non-abrasive soap, cleaner or detergent solution.

Caution

The Luminaire must be used within the applicable product specifications, installation instructions and environmental conditions for storage & operations according to application guidelines provided by Signify for product Warranty to be valid.

VN

Lưu ý

Tắt nguồn điện trước khi kiểm tra, lắp đặt hay tháo rời
 Bộ đèn cần được lắp đặt theo hướng dẫn bởi thợ điện lành nghề
 Vui lòng xem các thông số kỹ thuật về điện để đảm bảo lắp đặt an toàn
 Sản phẩm phải do kỹ thuật viên lành nghề lắp đặt & đấu nối dây theo tiêu chuẩn điện mới nhất của IEEE hoặc theo qui định của nước sở tại
 Không được lắp bộ đèn trên bề mặt sử dụng vật liệu dễ cháy thông thường
 Tránh để vị trí cấp nguồn gần các linh kiện có nhiệt độ cao
 Đảm bảo nối dây đúng để duy trì phân cực
 Signify B.V. sản xuất tất cả bộ điều khiển sử dụng trong bộ đèn này
 Bộ đèn này được thiết kế cho ứng dụng chiếu sáng ngoài trời

Bảo trì

Đảm bảo tắt nguồn điện trước khi bảo trì
 Lau chùi định kỳ mặt ngoài của kính đèn để đảm bảo quang hiệu tối đa
 Mặt kính cần được lau chùi bằng nước sạch và các loại xà phòng hay dung dịch tẩy rửa không ăn mòn

Chú ý

Vui lòng đảm bảo rằng các hướng dẫn lắp đặt và điều kiện môi trường lưu trữ và hoạt động được lưu giữ để đảm bảo tính hợp lệ của sản phẩm khi cần bảo hành.

TH

คำเตือน

ปิดสวิตช์ไฟก่อนเปลี่ยนแอลซีดีหรือชุดควบคุม
 ใ้คนมีความรู้ในการต่อสายไฟอย่างปลอดภัยดำเนินการติดตั้ง
 โปรดอ่านวิธีการติดตั้งและรายละเอียดทางไฟฟ้ก่อนติดตั้งเพื่อความปลอดภัย
 ใ้คนมีความรู้ในการต่อสายไฟอย่างปลอดภัยดำเนินการติดตั้ง
 ใ้คนมีความรู้ในการเปลี่ยนอุปกรณ์อย่างปลอดภัยดำเนินการติดตั้ง
 ใ้คนติดตั้งใ้คนใช้กับวัสดุที่เป็นเชื้อเพลิง
 ใ้คนติดตั้งใ้คนใช้ใกล้แหล่งกำเนิดความร้อน
 ตรวจสอบการเชื่อมต่อสาย
 ใ้คนออกแบบมาใช้งานภายนอกอาคาร

การซ่อมบำรุง

ปิดสวิตช์ไฟก่อนเปลี่ยนแอลซีดีหรือชุดควบคุม
 ควรทำความสะอาดเลนส์เพื่อให้แสงสว่างใ้เต็มที่ประสิทธิภาพ
 ใ้คนใช้สารทำความสะอาดเลนส์

คำเตือน

โปรดทำตามคำแนะนำในการติดตั้งและสภาพแวดล้อมที่กำหนดเพื่อให้ผลิตภัณฑ์ใ้ใช้งานได้ถูกต้อง

AR

توصيل الأسلاك

قم بإيقاف تشغيل الطاقة قبل التركيب أو الفصل .
 يجب تركيب الفانوس من قبل فني مؤهل يتبع التعليمات الموضحة
 يرجى قراءة ورقة البيانات التقنية لمعرفة المواصفات الكهربائية للتأكد من التركيب الآمن يجب أن
 يكون كل من التركيب و التوصيل متوافقا مع أنظمة IEEE و المواصفات المحلية يجب تغيير مصدر
 عدم تركيب أو وضع الفانوس بالقرب
 من مواد قابلة للاشتعال الإضاءة فقط عن طريق الجهة المصنعة أو مقدم خدمات مؤهل.
 عدم تمديد كابل الطاقة بالقرب من مواد ذات حرارة عالية
 لتأكيد القطبية الصحيحة تأكد من توصيل الأسلاك بشكل صحيح
 هذا الفانوس مصمم للاستخدام الخارجي

الصيانة

تأكد من فصل الطاقة قبل إتمام عملية الصيانة
 استمرار تنظيف الناشر يؤكد الحصول على إضاءة شديدة
 يجب تنظيف غطاء الناشر بالماء و صابون ناعم أو محلول مطهر

احذر

فضلا تأكد من ملاءمة تعليمات التركيب و ظروف البيئة للتخزين و التشغيل لاستمرار ضمان المنتج

ID

Perhatian

1. Luminer harus diinstal oleh teknisi listrik yang terkuifikasi sesuai dengan regulasi kelistrikan IEE terbaru atau standar nasional
2. Matikan sebelum inspeksi, pemasangan atau pemindahan
3. Sumber cahaya dari luminer ini tidak dapat diganti; saat sumber cahaya mencapai masa akhir, luminer secara keseluruhan harus diganti
4. Mohon merujuk pada lembar data teknis untuk tambahan fitur elektrik yang dibutuhkan untuk memastikan keamanan pemasangan
5. Luminer yang dipasang tidak boleh memiliki kontak dengan material yang mudah terbakar/ panas
6. Pastikan suplai kabel (L-N/ L-N-E) terpasang dengan benar sebelum menyalakan perangkat.

Perawatan

1. Pastikan suplai listrik mati sebelum melakukan perawatan
2. Perawatan secara berkala pada penutup lensa optikal akan memastikan efisiensi optikal yang optimal
3. Penutup lensa optikal harus dibersihkan dengan air bersih dan sabun atau pembersih non-abrasif.

Perhatian

Luminer harus dipasang sesuai dengan spesifikasi produk, instruksi pemasangan dan kondisi lingkungan untuk penyimpanan & operasional sesuai dengan petunjuk dari Signify Indonesia agar garansi produk dapat berlaku.