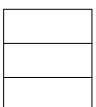


**LifeMagic**



© All rights are reserved. Reproduction in whole or part is prohibited without the written consent of the copyright owner.



1

2

3

4

5

6

7

8

a

b

c

d

e

f

a

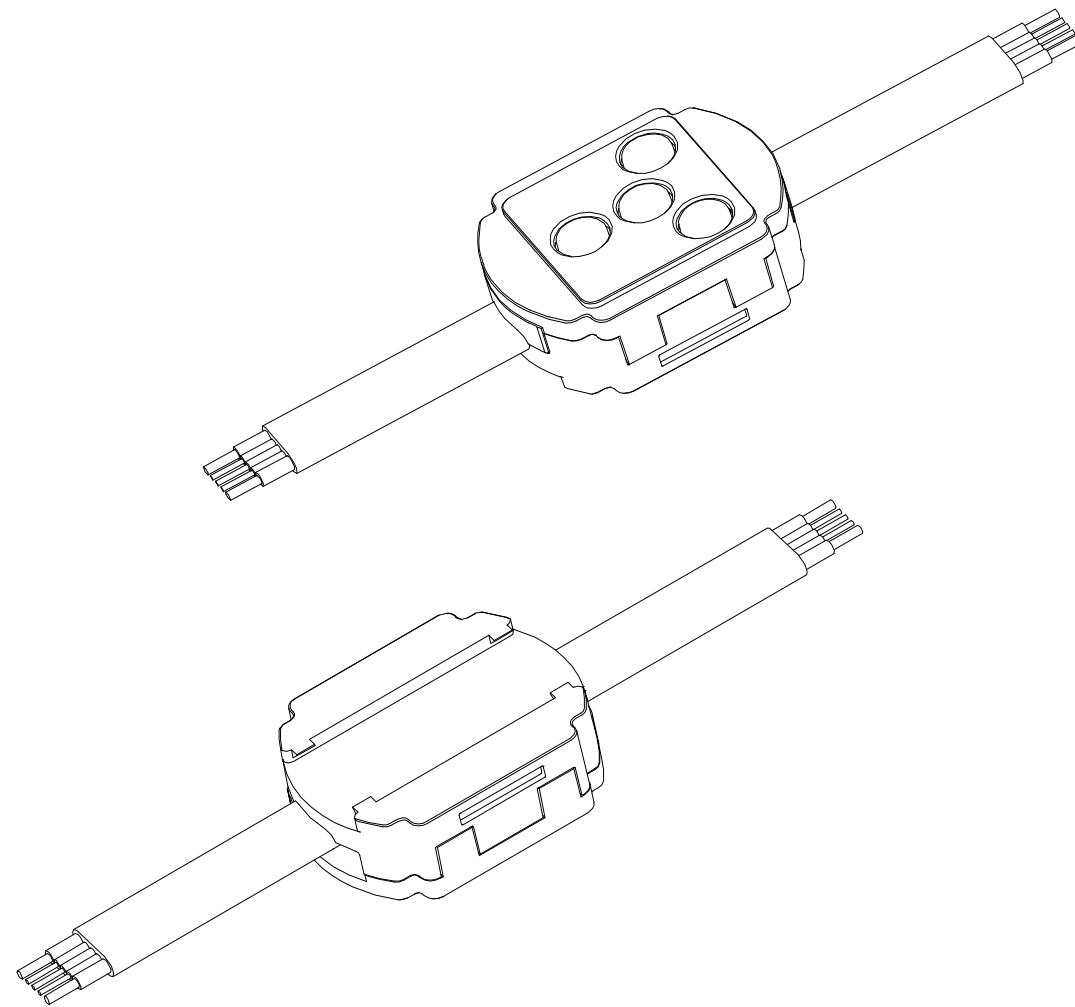
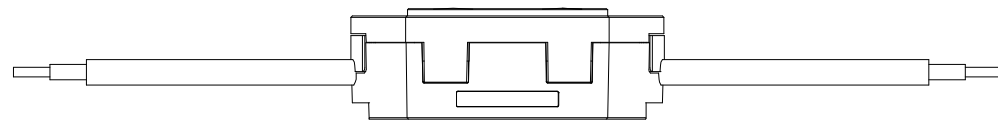
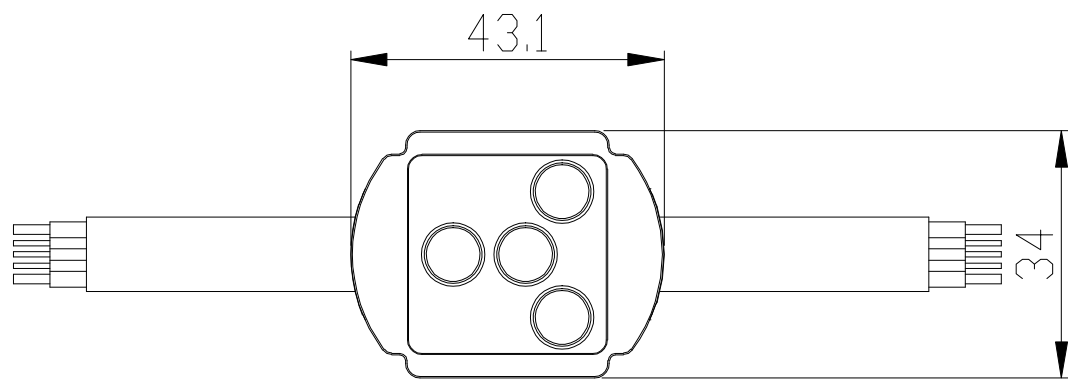
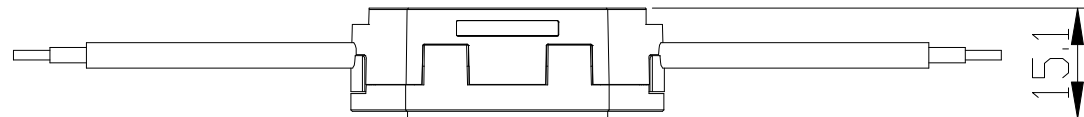
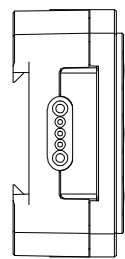
b

c

d

e

f



CLASS No.	BWS309 S-4LED-S		A	2019/03/01
NAME	ZhangYanqQng	SUPERS	SH. 7	SH. -1
CHECK	DATE	2019/03/01	PROPERTY OF: Copyright Signify Holding	
				A3

1

2

3

4

5

6

7

8