

**LifeMagic**



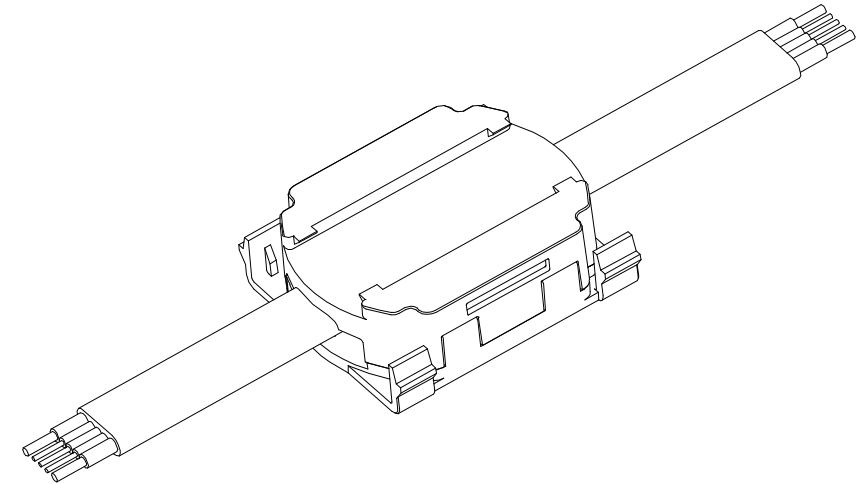
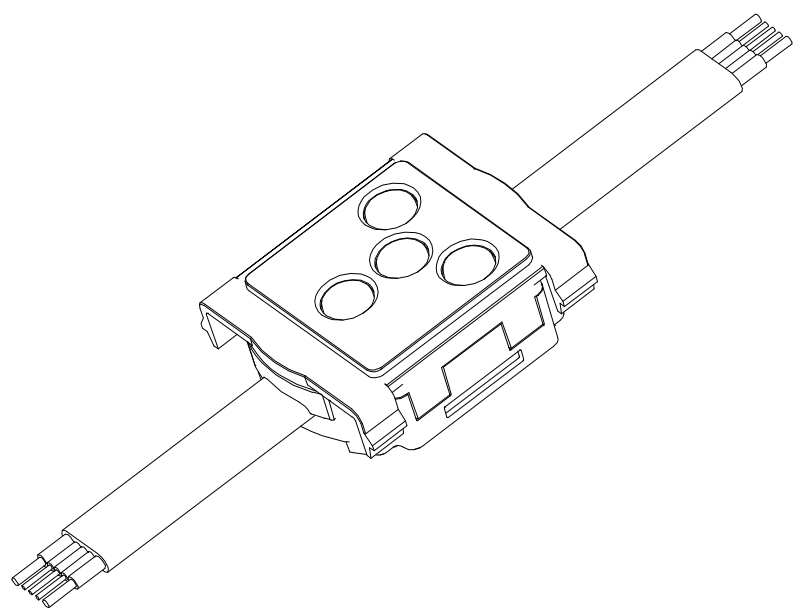
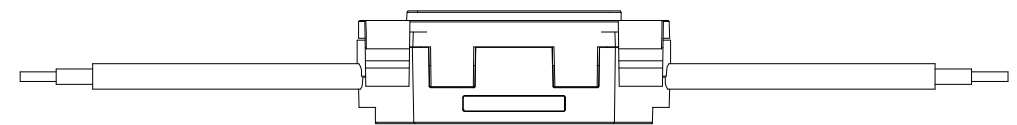
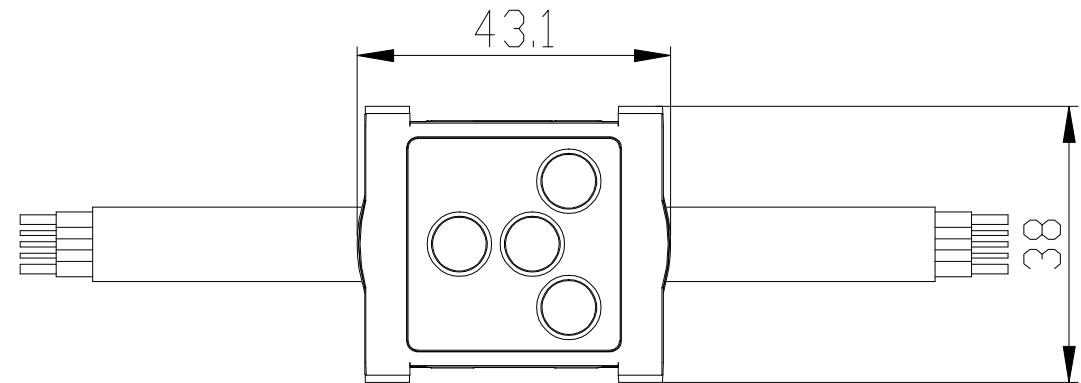
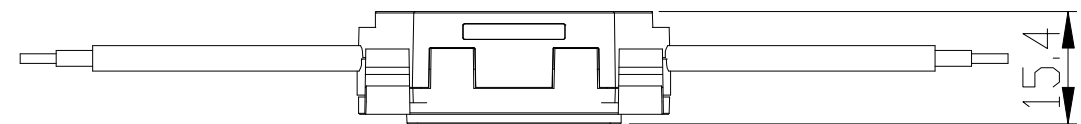
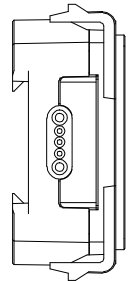
All rights are reserved. Reproduction in whole or part is prohibited without the written consent of the copyright owner.




1 2 3 4 5 6 7 8

a  
b  
c  
d  
e  
f

a  
b  
c  
d  
e  
f



CLASS No.		BWS309 S-4LED-S-TM			A		2019/03/01	
NAME ZhangYanQng		SUPERS		SH. 7		SH. -1		
CHECK		DATE 2019/03/01		PROPERTY OF: Copyright Signify Holding				
						A3		

1 2 3 4 5 6 7 8