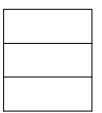


LifeMagic



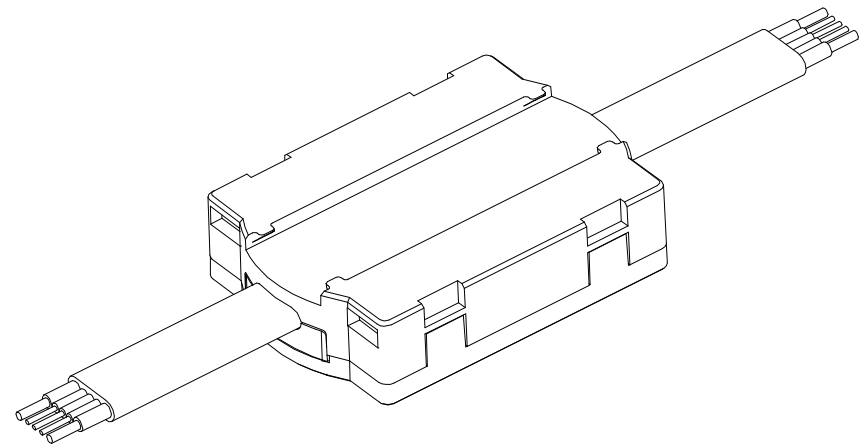
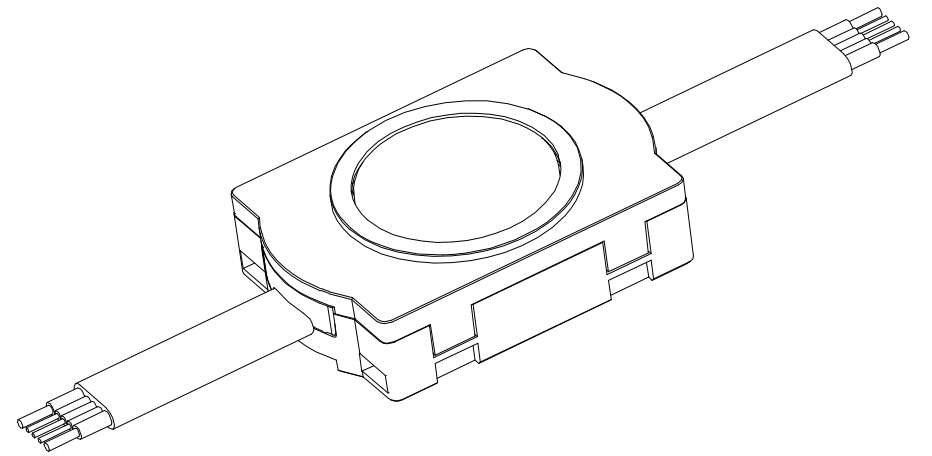
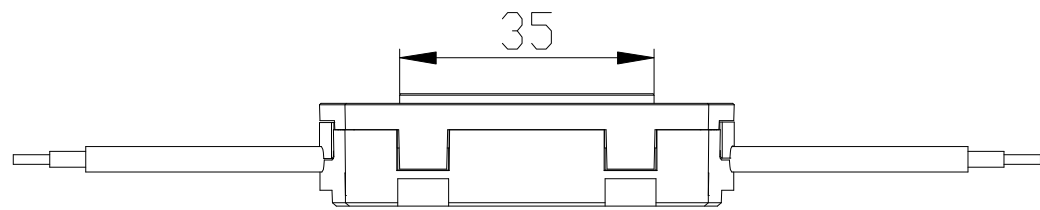
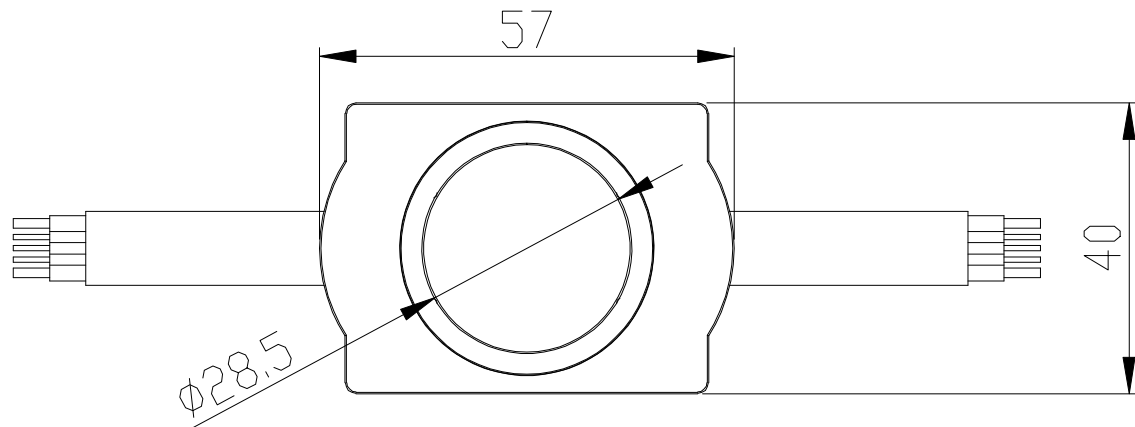
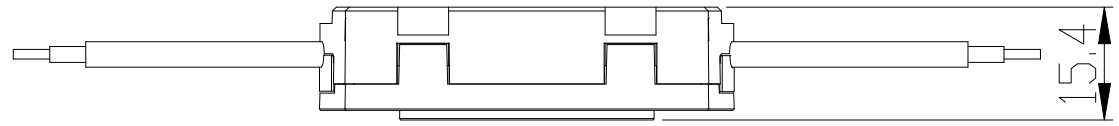
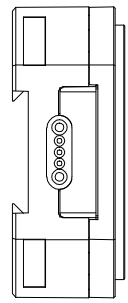
© All rights reserved. Reproduction in whole or part is prohibited without the written consent of the copyright owner.



1 2 3 4 5 6 7 8

a
b
c
d
e
f

a
b
c
d
e
f



CLASS No.		BWS309 M-6LED-S			A		2019/03/01	
NAME ZhangYanQng		SUPERS		SH. 7		SH. -1		
CHECK		DATE 2019/03/01		PROPERTY OF: Copyright Signify Holding				
						A3		

1 2 3 4 5 6 7 8