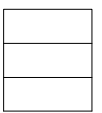


LifeMagic



© All rights are reserved. Reproduction in whole or part is prohibited without the written consent of the copyright owner.



1

2

3

4

5

6

7

8

a

b

c

d

e

f

a

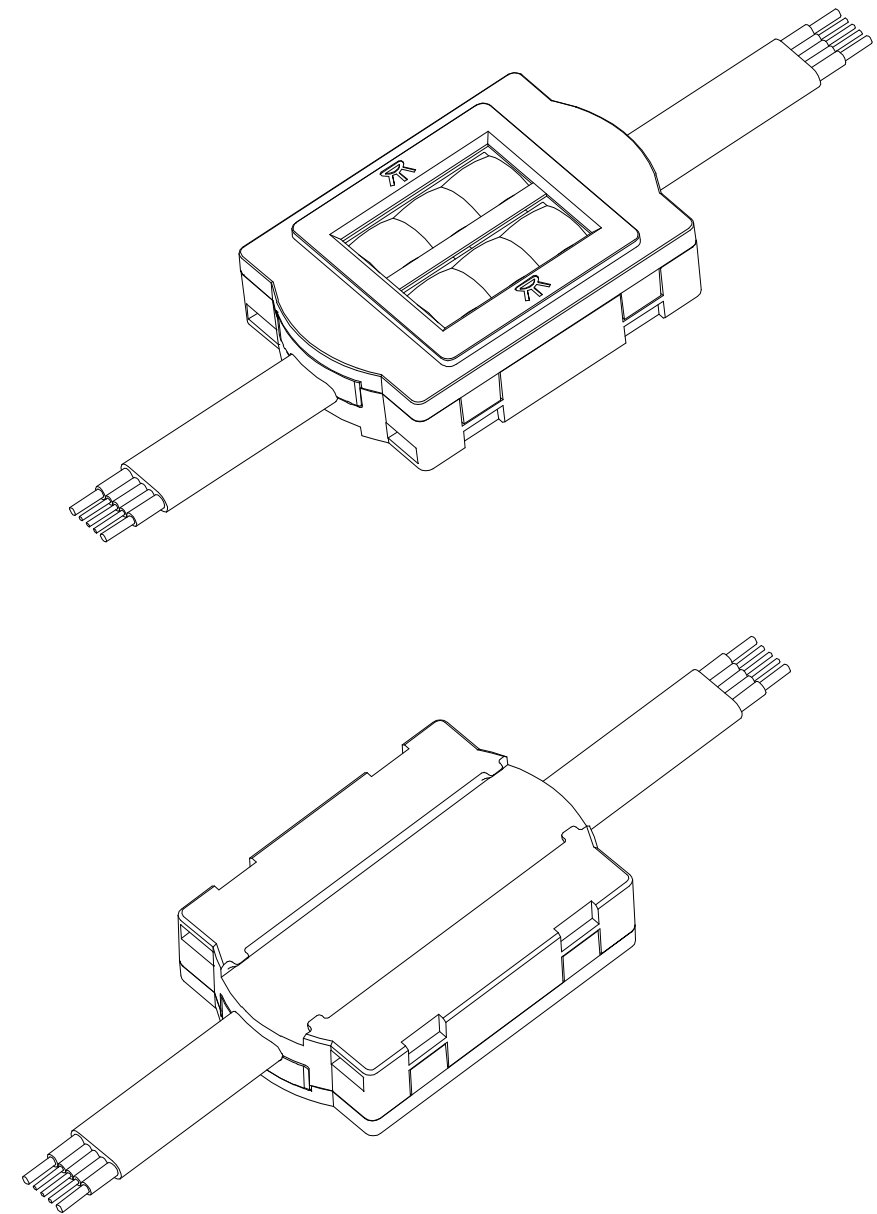
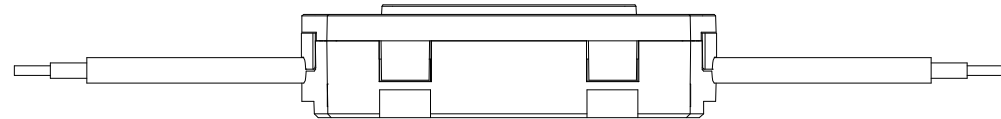
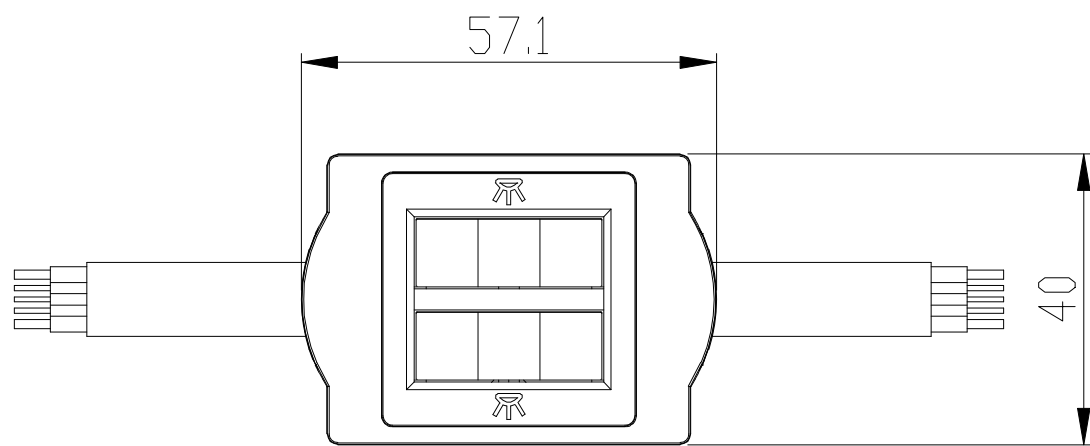
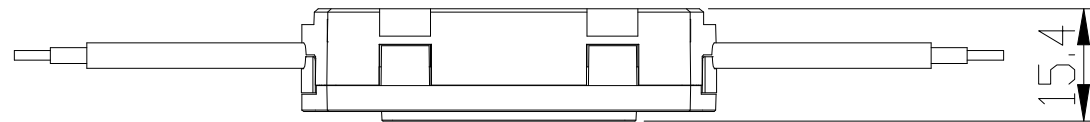
b

c

d

e

f



CLASS No.	BWS309 M-6LED-A-LR		A	2019/03/01
NAME ZhangYanqQng	SUPERS	SH. 7	SH. -1	A3
CHECK	DATE 2019/03/01	PROPERTY OF: Copyright Signify Holding		

1

2

3

4

5

6

7

8