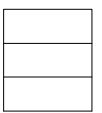


**LifeMagic**



© All rights are reserved. Reproduction in whole or part is prohibited without the written consent of the copyright owner.



1

2

3

4

5

6

7

8

a

b

c

d

e

f

a

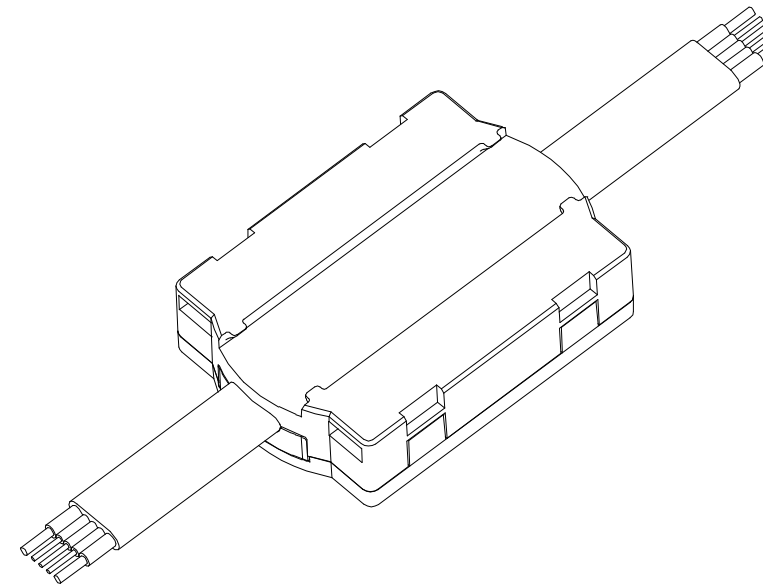
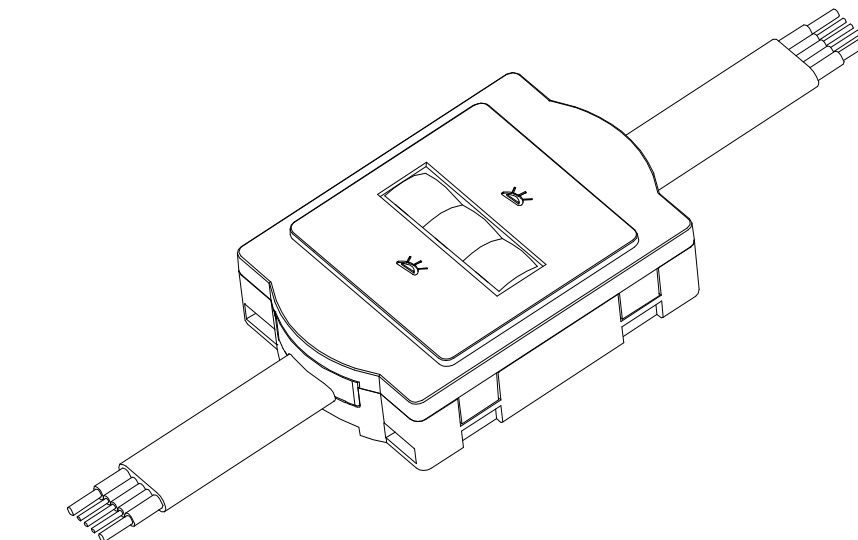
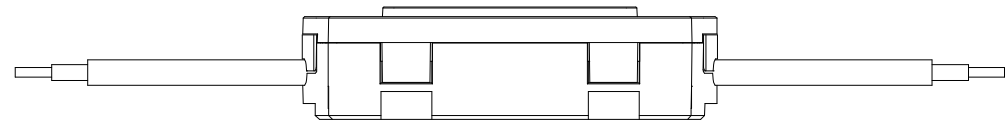
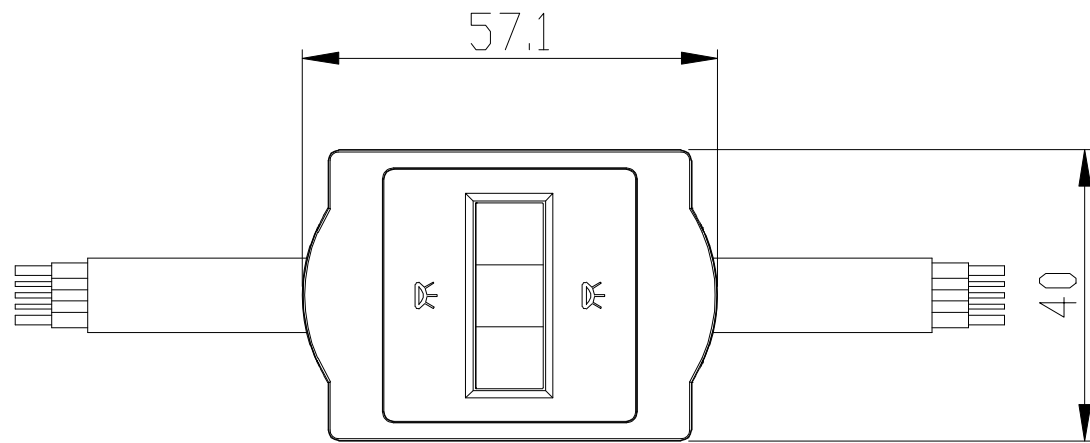
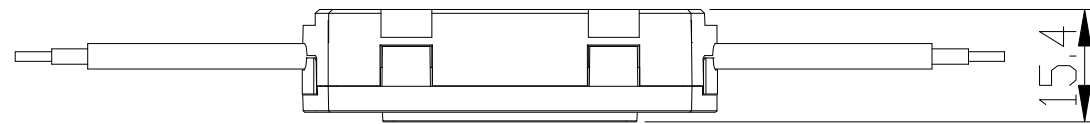
b

c

d

e

f



CLASS No.		BWS309 M-3LED-A-TB		A		2019/03/01	
NAME ZhangYanQng		SUPERS		SH. 7		SH. -1	
CHECK		DATE 2019/03/01		PROPERTY OF: Copyright Signify Holding		A3	

1

2

3

4

5

6

7

8