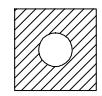
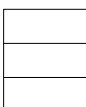
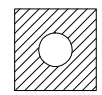


LifeMagic



© All rights are reserved. Reproduction in whole or part is prohibited without the written consent of the copyright owner.



1

2

3

4



5

6

7

8

a

b

c

d

e

f

a

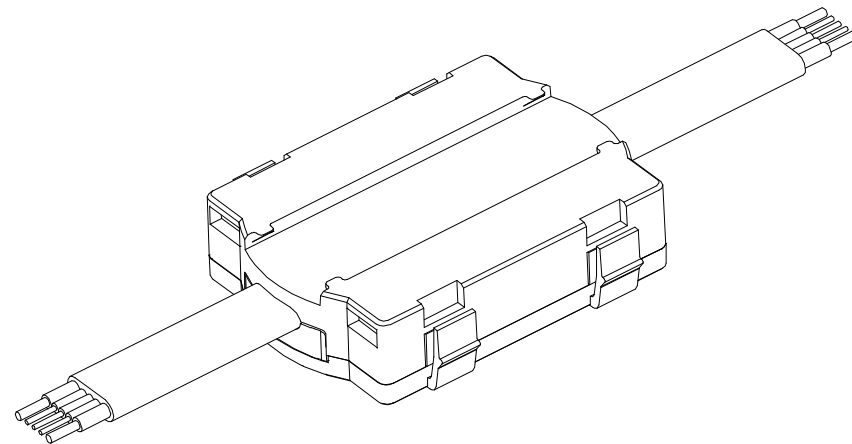
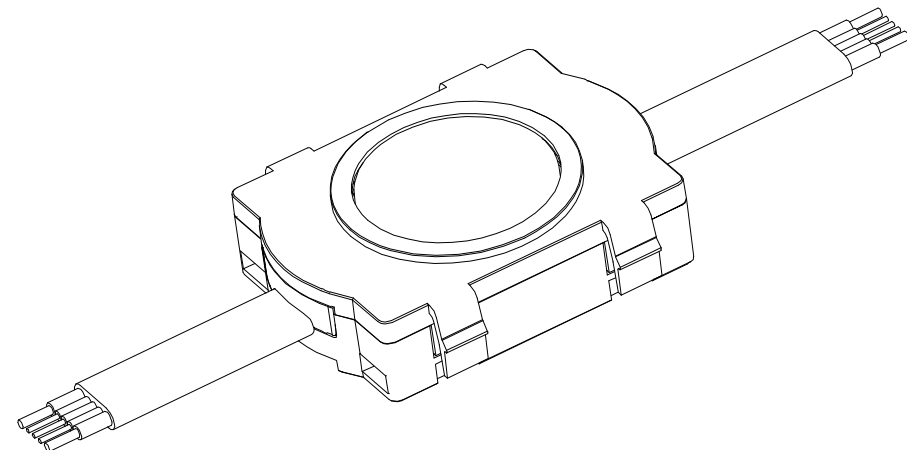
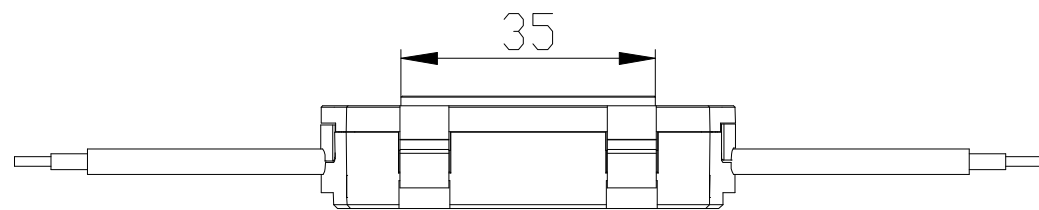
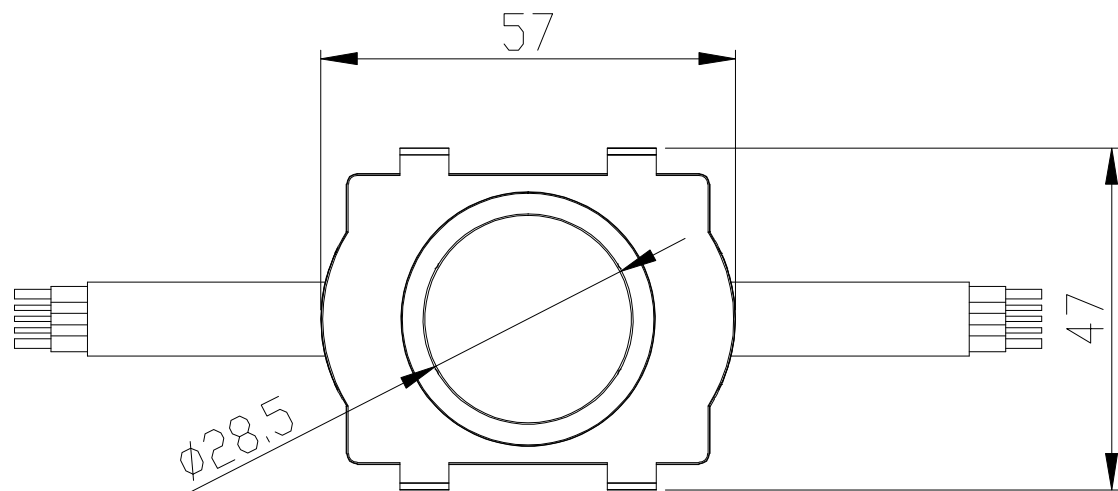
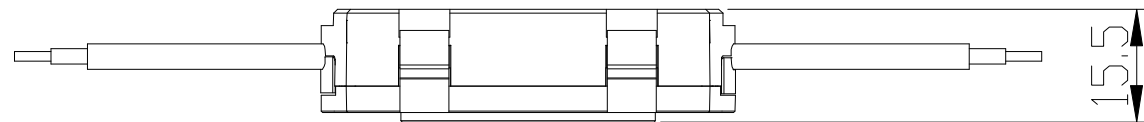
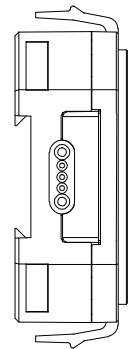
b

c

d

e

f



CLASS No.		BWS309 M-6LED-S-TM			A		2019/03/01	
NAME ZhangYanqQng		SUPERS		SH. 7		SH. -1		
CHECK		DATE 2019/03/01		PROPERTY OF: Copyright Signify Holding				
						A3		

1

2

3

4



5

6

7

8