

**LifeMagic**



© All rights reserved. Reproduction in whole or part is prohibited without the written consent of the copyright owner.



1

2

3

4

5

6

7

8

a

b

c

d

e

f

a

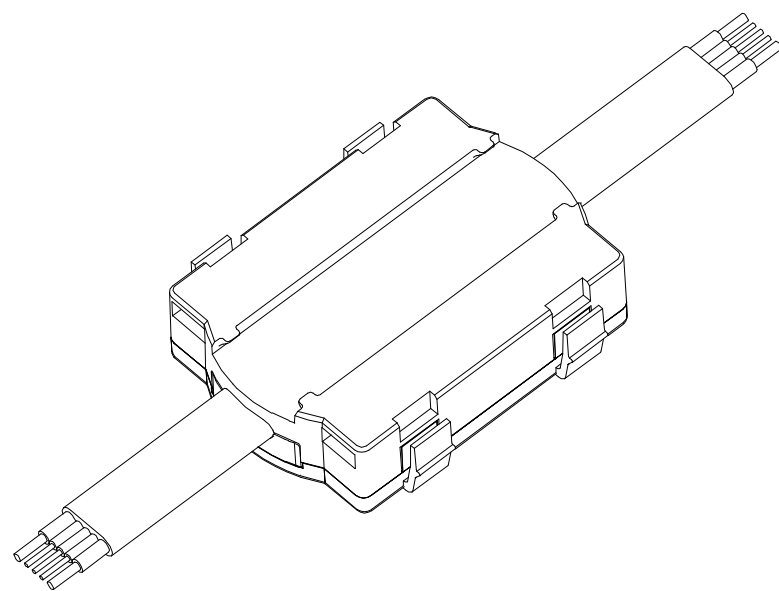
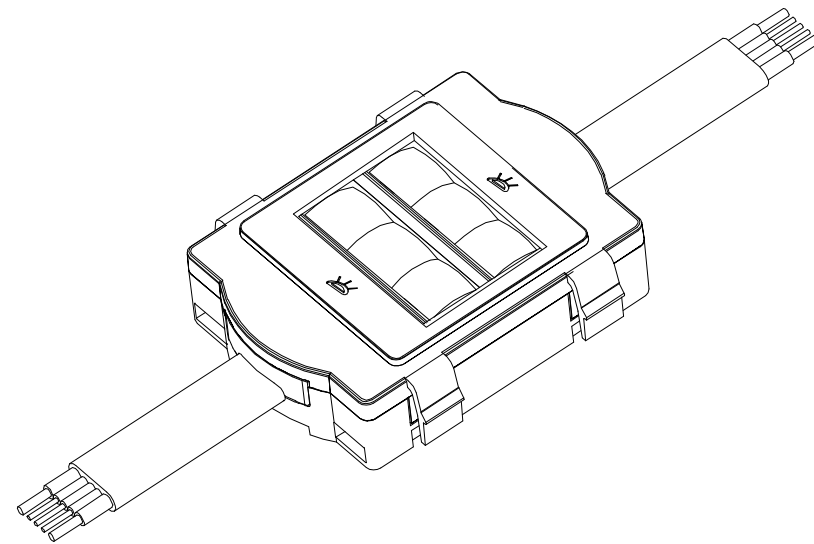
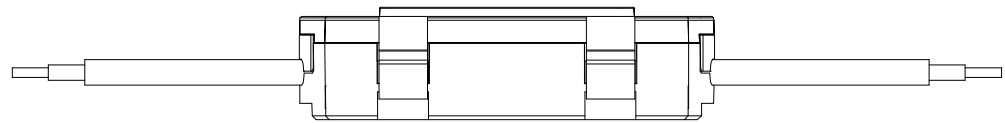
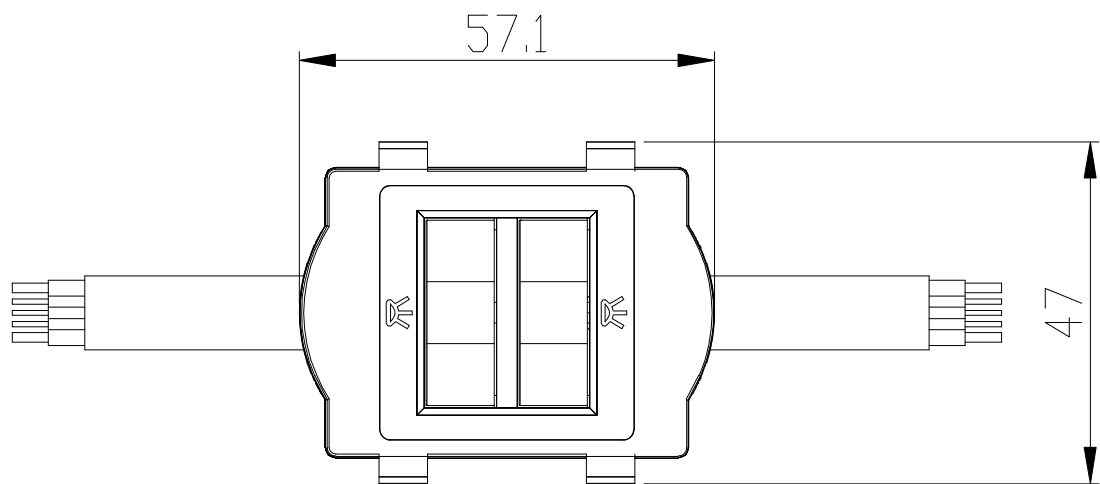
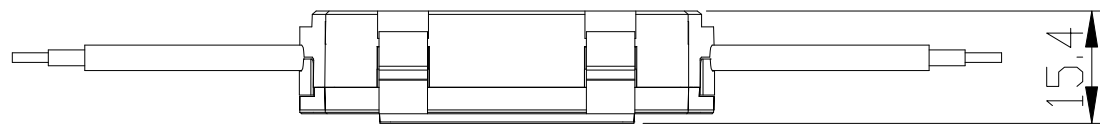
b

c

d

e

f



|           |                    |            |  |            |
|-----------|--------------------|------------|--|------------|
| CLASS No. | BWS309 M-6LED-A-TM |            | A                                      | 2019/03/01 |
| NAME      | ZhangYanqQng       | SUPERS     | SH. 7                                  | SH. -1     |
| CHECK     | DATE               | 2019/03/01 | PROPERTY OF: Copyright Signify Holding | A3         |

1

2

3

4

5

6

7

8