

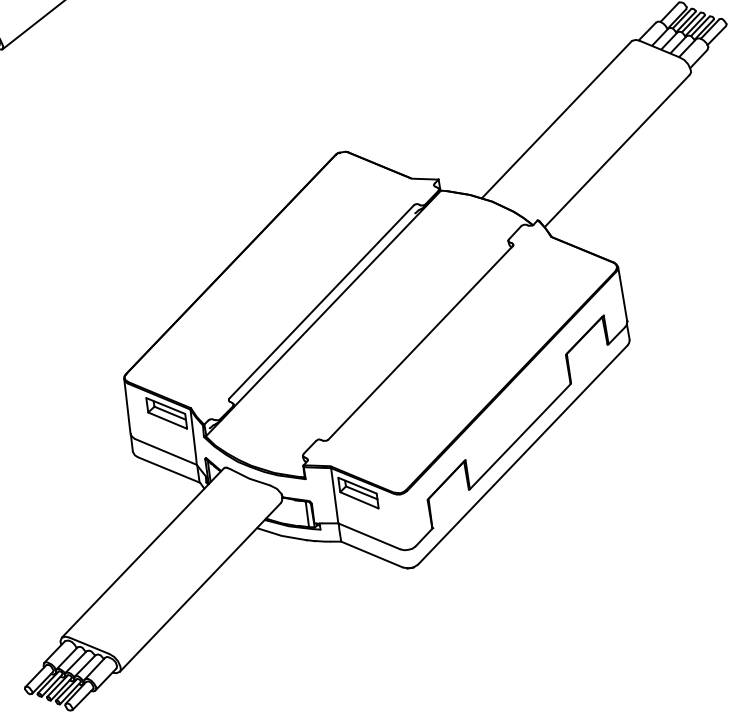
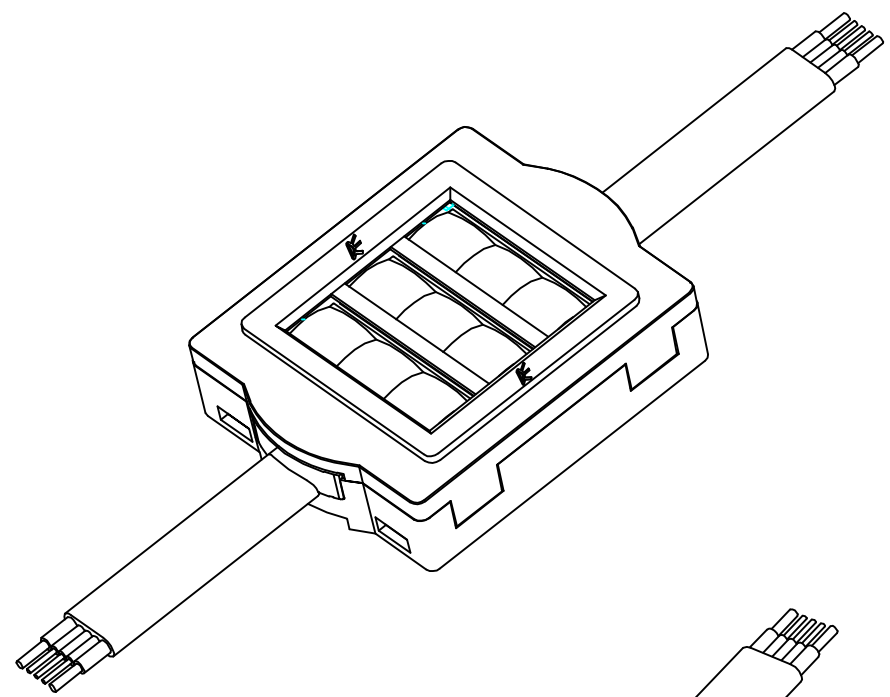
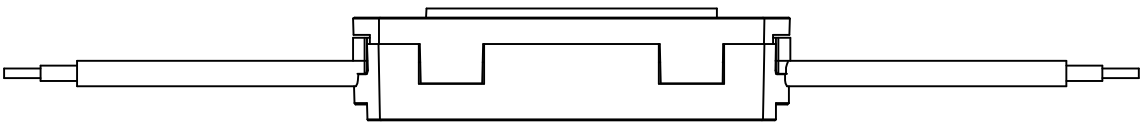
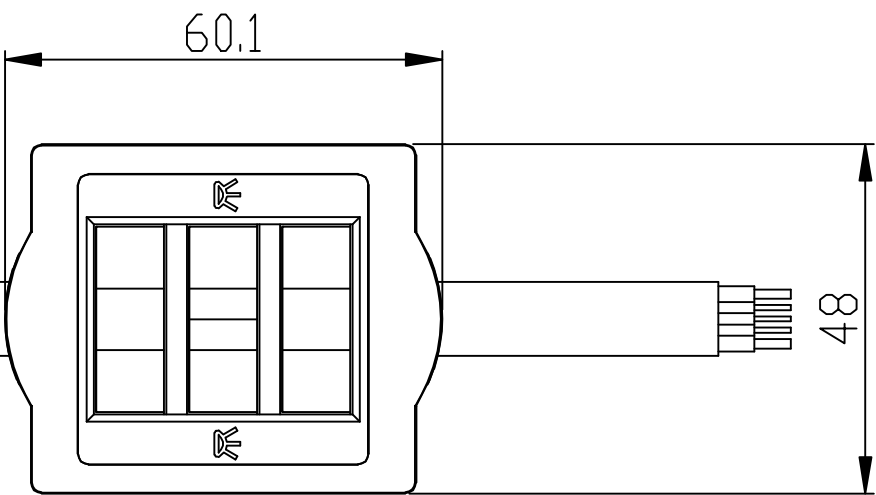
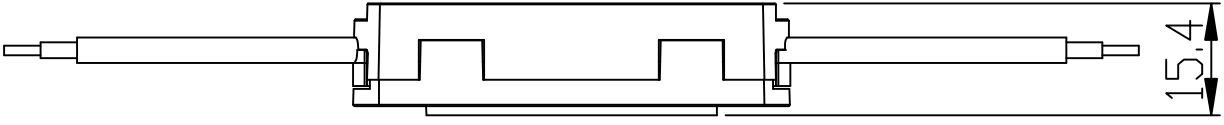
**LifeMagic**

© All rights reserved. Reproduction in whole or in part without the written permission of the copyright owner.

1 2 3 4 5 6 7 8

a  
b  
c  
d  
e  
f

a  
b  
c  
d  
e  
f



CLASS No.		BWS309 L-8&9LED-A-TB			A		2019/03/01	
NAME ZhangYanQing		SUPERS		SH. 7	SH. -1	A3		
CHECK	DATE	PROPERTY OF: Copyright Signify Holding						
	2019/03/01							

1 2 3 4 5 6 7 8