

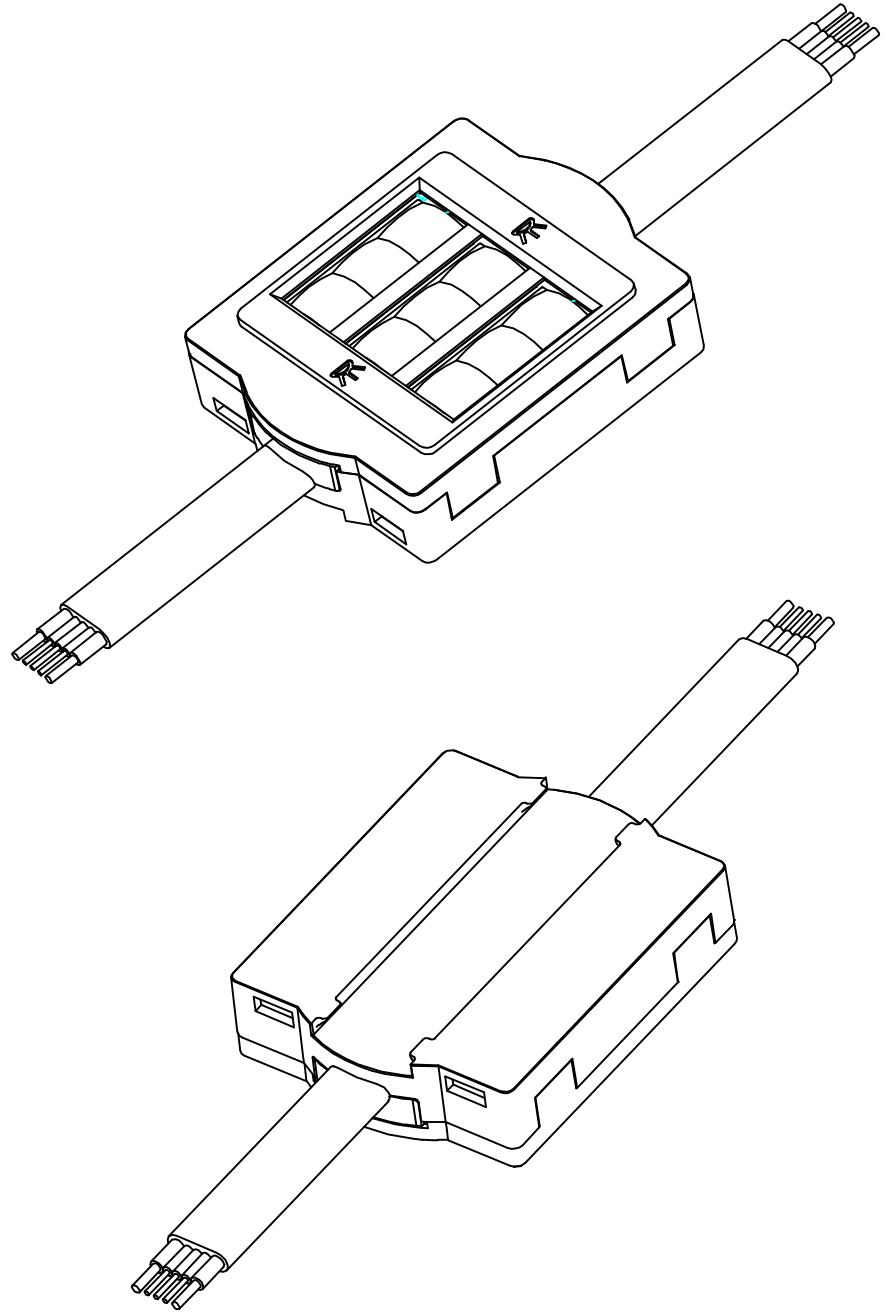
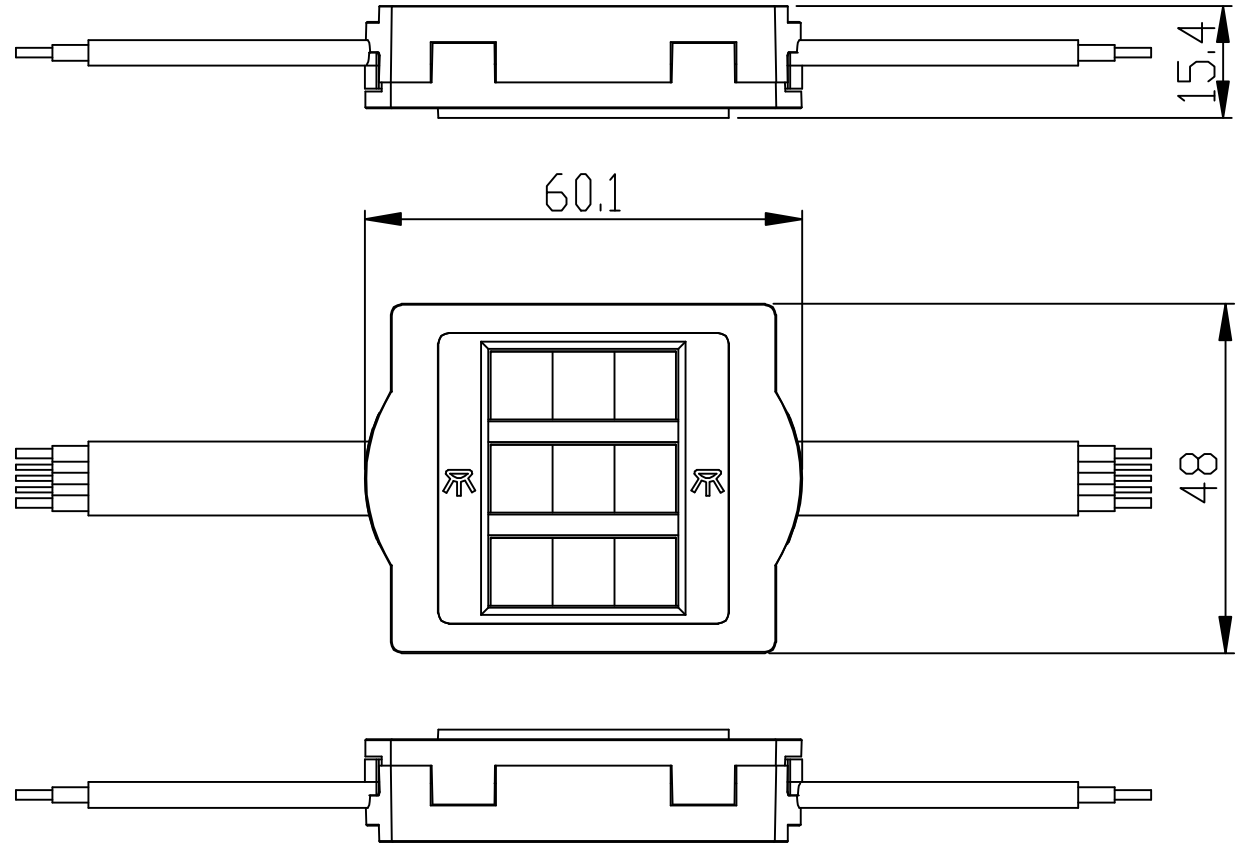
LifeMagic

© All rights reserved. Reproduction in whole or in part without the written consent of the copyright owner.

1 2 3 4 5 6 7 8

a
b
c
d
e
f

a
b
c
d
e
f



CLASS No.		BWS309 L-8&9LED-A-LR			A		2019/03/01	
NAME ZhangYanQing		SUPERS		SHL 7	SHL -1	A3		
CHECK	DATE	2019/03/01		PROPERTY OF: Copyright Signify Holding				

1 2 3 4 5 6 7 8