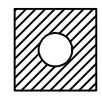
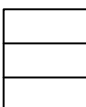
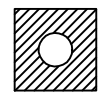


LifeMagic



0.4 of additional material, depending on whether the part is produced using the existing amount of the copyright owner.



1

2

3

4

5

6

7

8

a

b

c

d

e

f

a

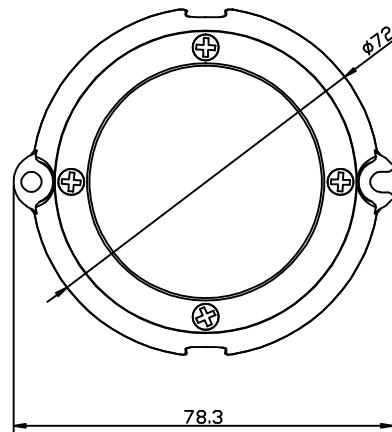
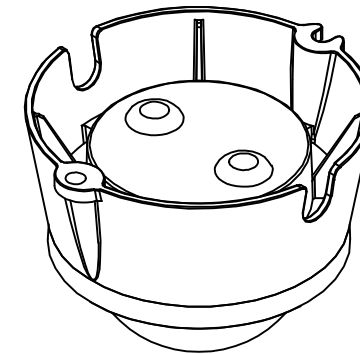
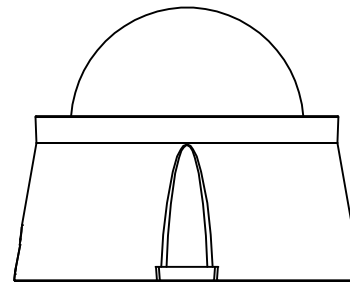
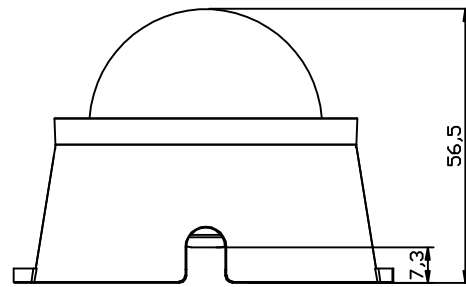
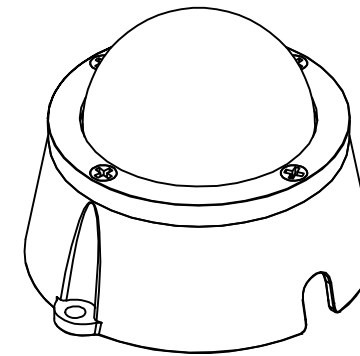
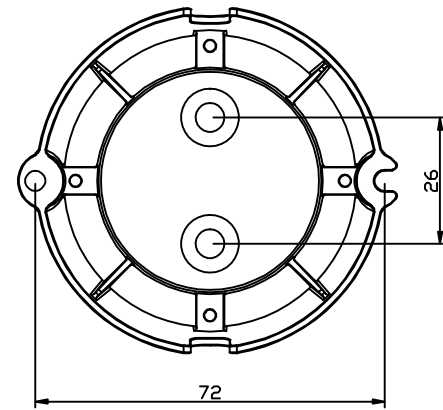
b

c

d

e

f



CLASS No.	BGS319 S-OSC		A	2019/03/01
NAME	ZhangYanQing	SUPERS	SH. 7	SH. -1
CHECK		DATE	2019/03/01	PROPERTY OF: Copyright Signity Holding

1

2

3

4

5

6

7

8