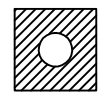
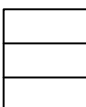
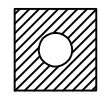


LifeMagic



此图如有更改，请参照本图标注的更改通知单，并到生产部领取最新版本的图纸。



1

2

3

4

5

6

7

8

a

b

c

d

e

f

a

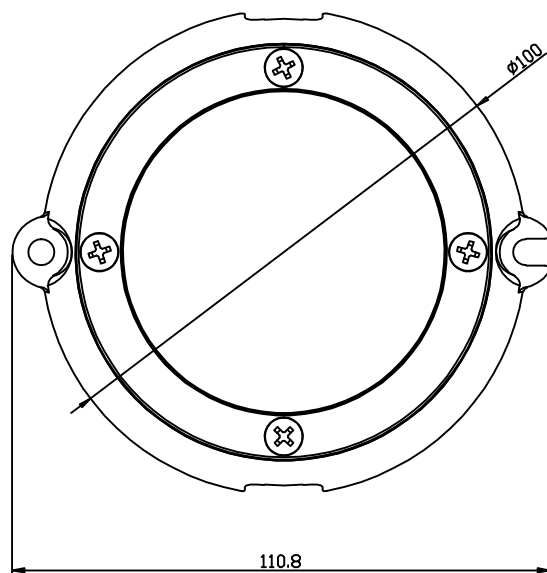
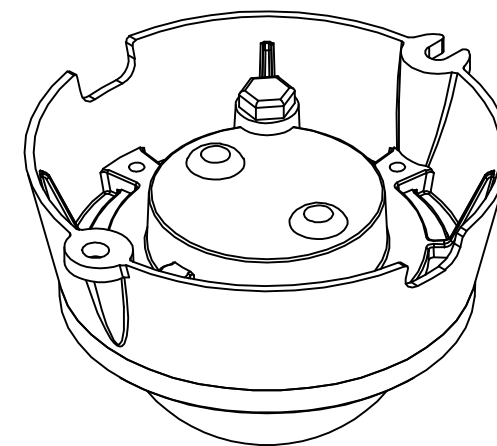
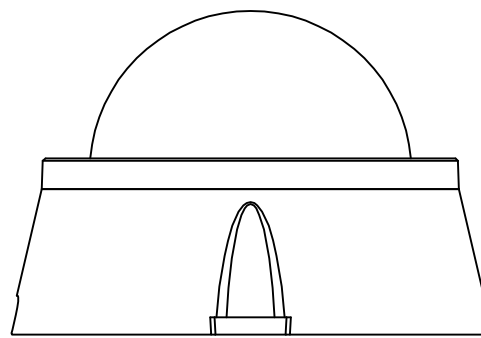
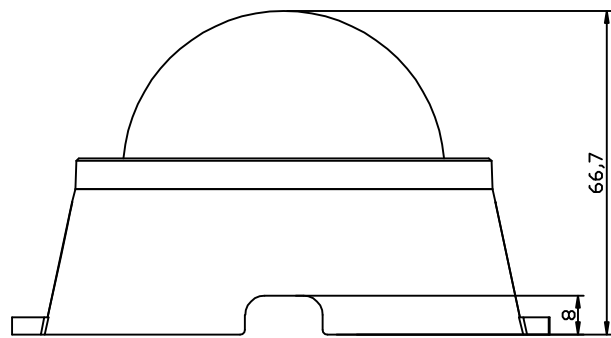
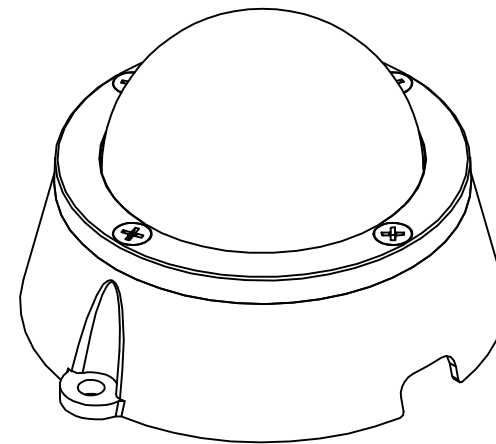
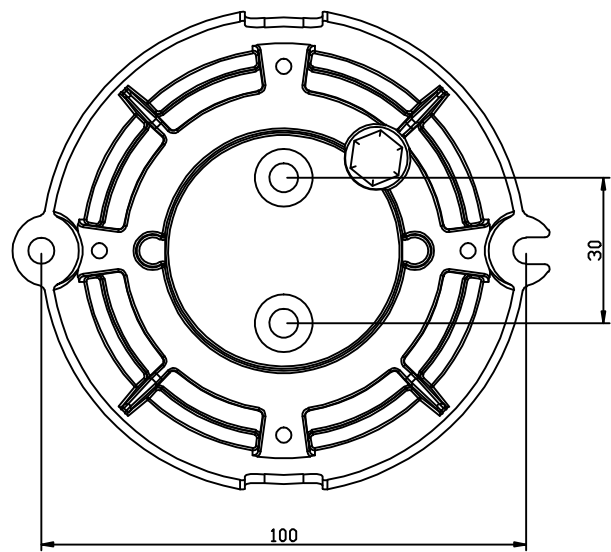
b

c

d

e

f



CLASS No.	BGS319 M-OSC		A	2019/03/01
NAME	ZhangYanQing	SUPERS	SH. 7	SH. -1
CHECK	DATE	2019/03/01	PROPERTY OF: Copyright Signity Holding	
				AS

1

2

3

4

5

6

7

8