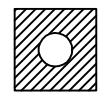
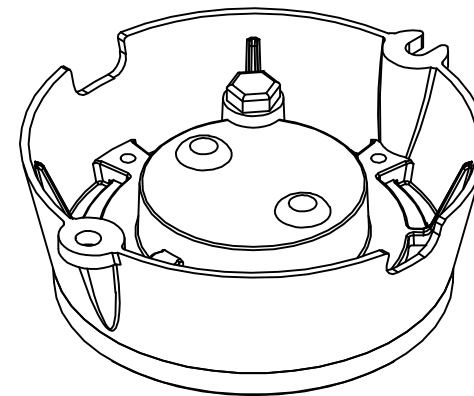
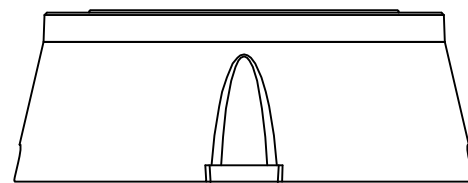
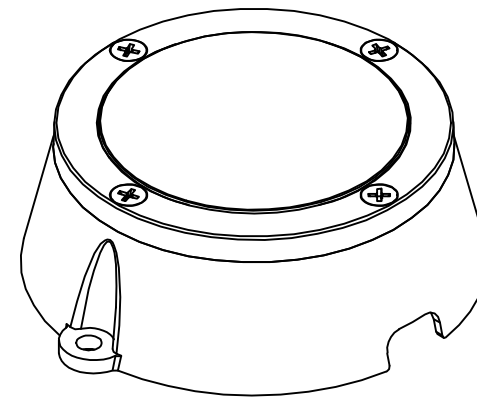
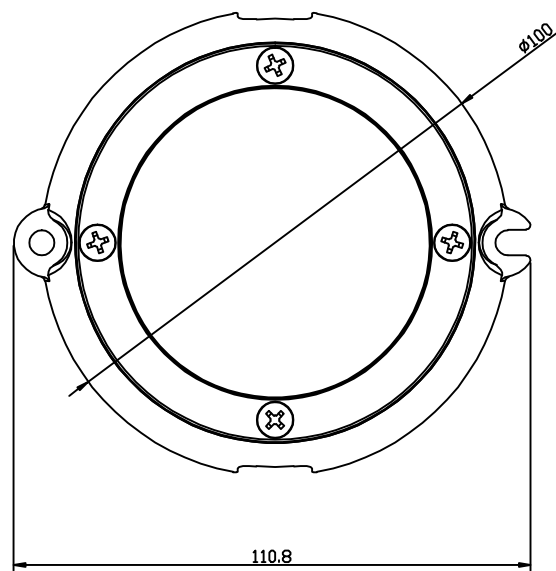
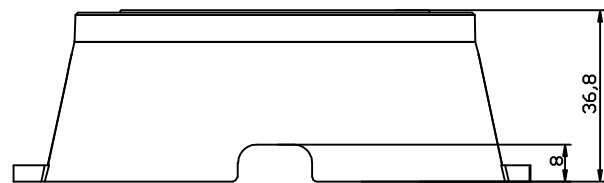
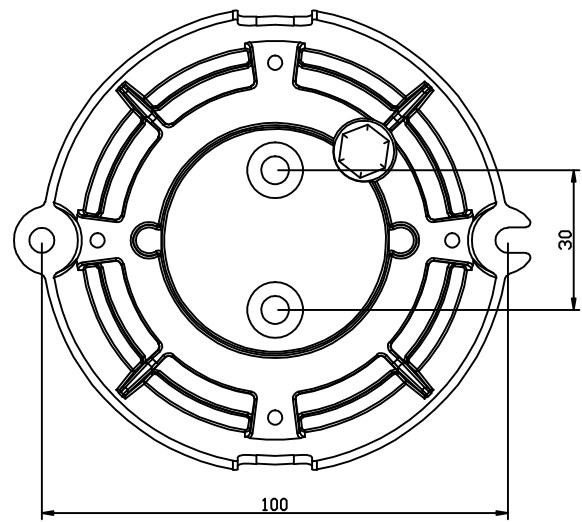
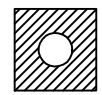


LifeMagic



此图仅供参考，不作为法律依据。
如有变更，恕不另行通知。
Copyright © 2019



CLASS No.	BGS319 M-CFC		A	2019/03/01
NAME	ZhangYanQing	SUPERS	SH. 7	SH. -1
CHECK	DATE	2019/03/01	PROPERTY OF: Copyright Signity Holding	
				AS