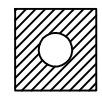
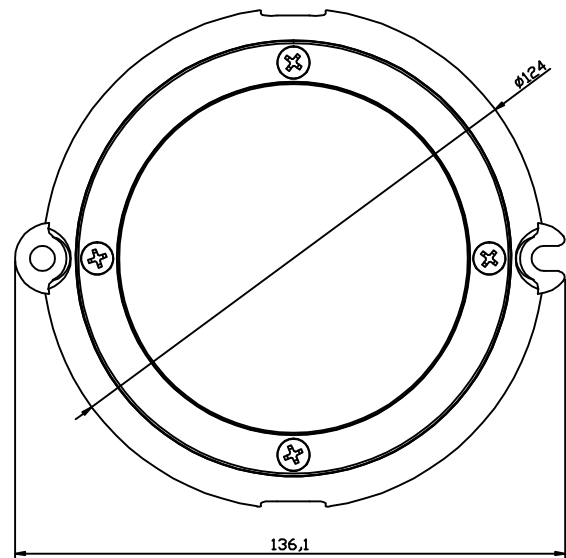
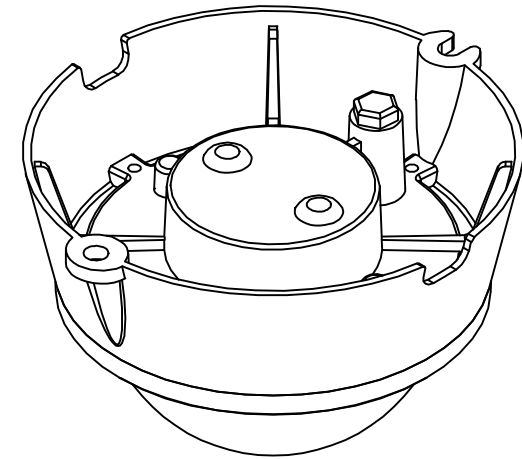
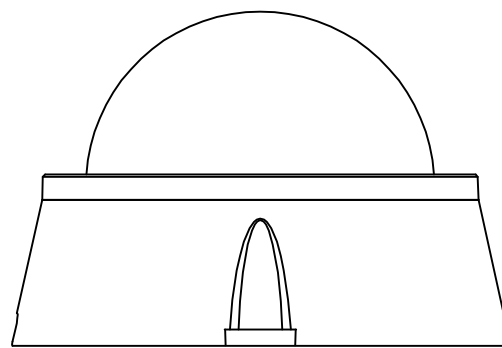
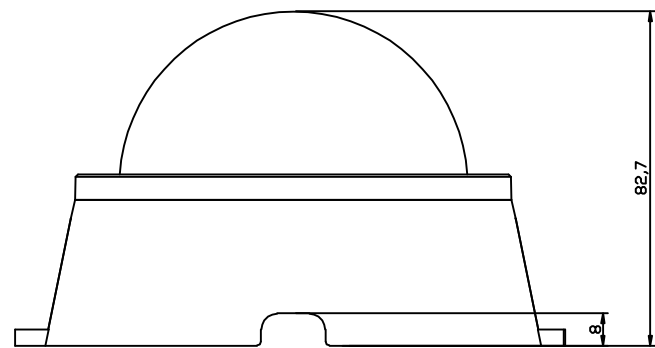
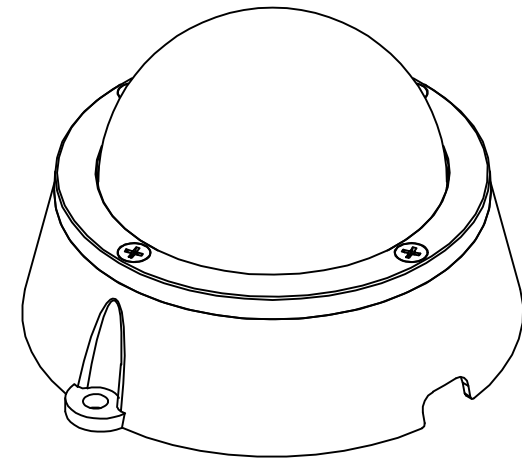
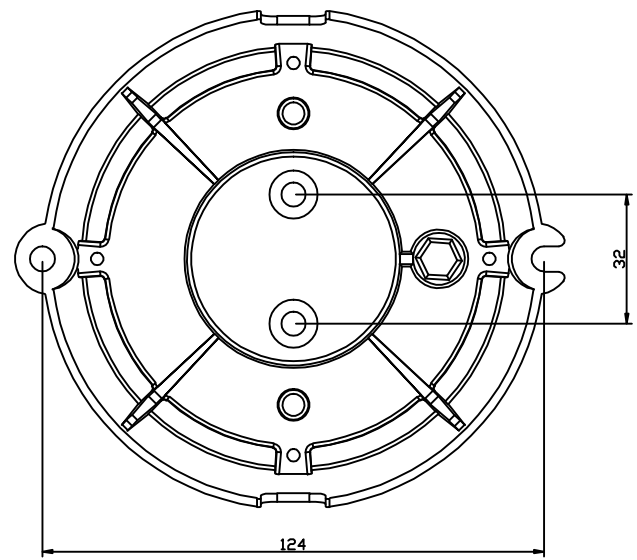
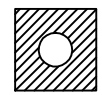


LifeMagic



© All rights reserved. Reproduction in whole or in part is prohibited without the written consent of the copyright owner.



CLASS No.	BGS319 L-OSC	A	2019/03/01
NAME ZhangYanQing	SUPERS	SH. 7	SH. -1
CHECK	DATE 2019/03/01	PROPERTY OF: Copyright Signity Holding	AS