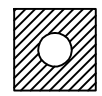
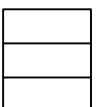
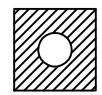


LifeMagic



© All rights reserved. Reproduction in whole or in part is prohibited without the written consent of the copyright owner.



1

2

3

4

5

6

7

8

a

b

c

d

e

f

a

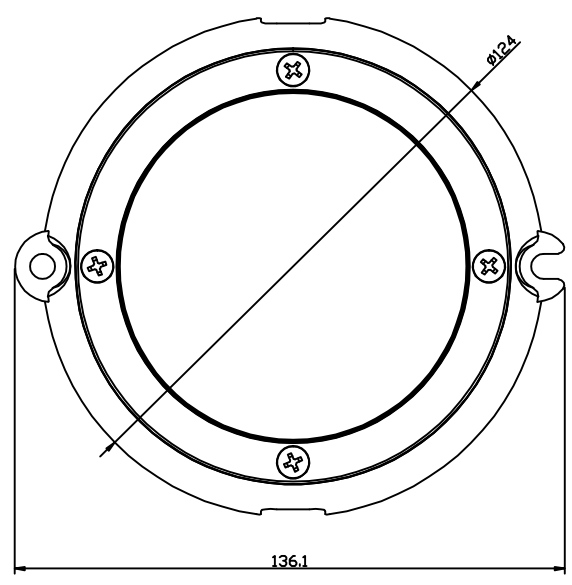
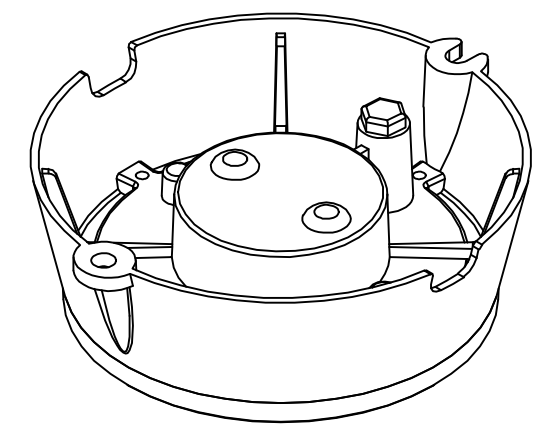
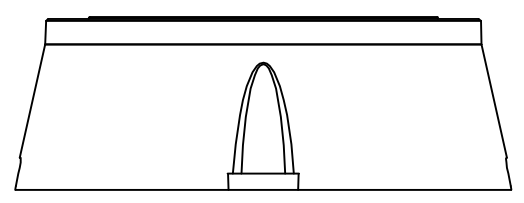
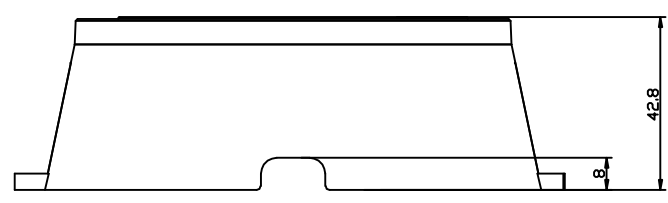
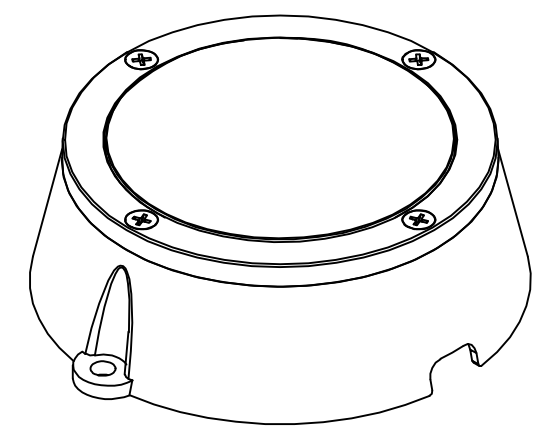
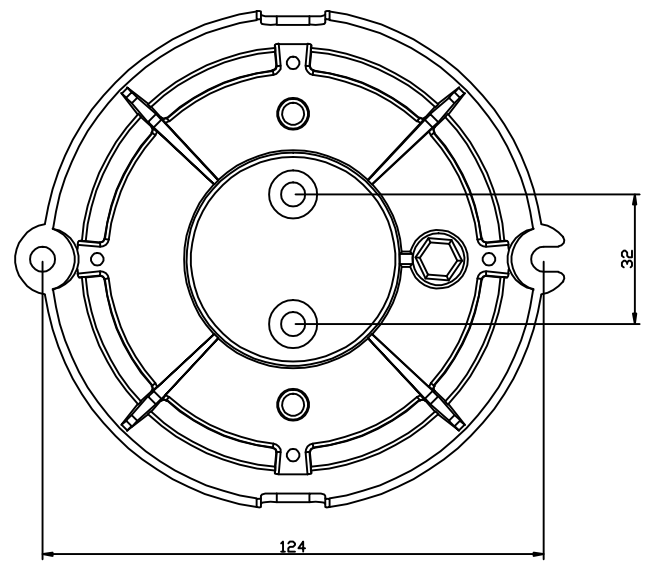
b

c

d

e

f



CLASS No.	BGS319 L-CFC		A	2019/03/01
NAME	ZhangYanQing	SUPERS	SH 7	SH -1
CHECK	DATE	PROPERTY OF:	Copyright Signify Holding	
	2019/03/01			A3

1

2

3

4

5

6

7

8