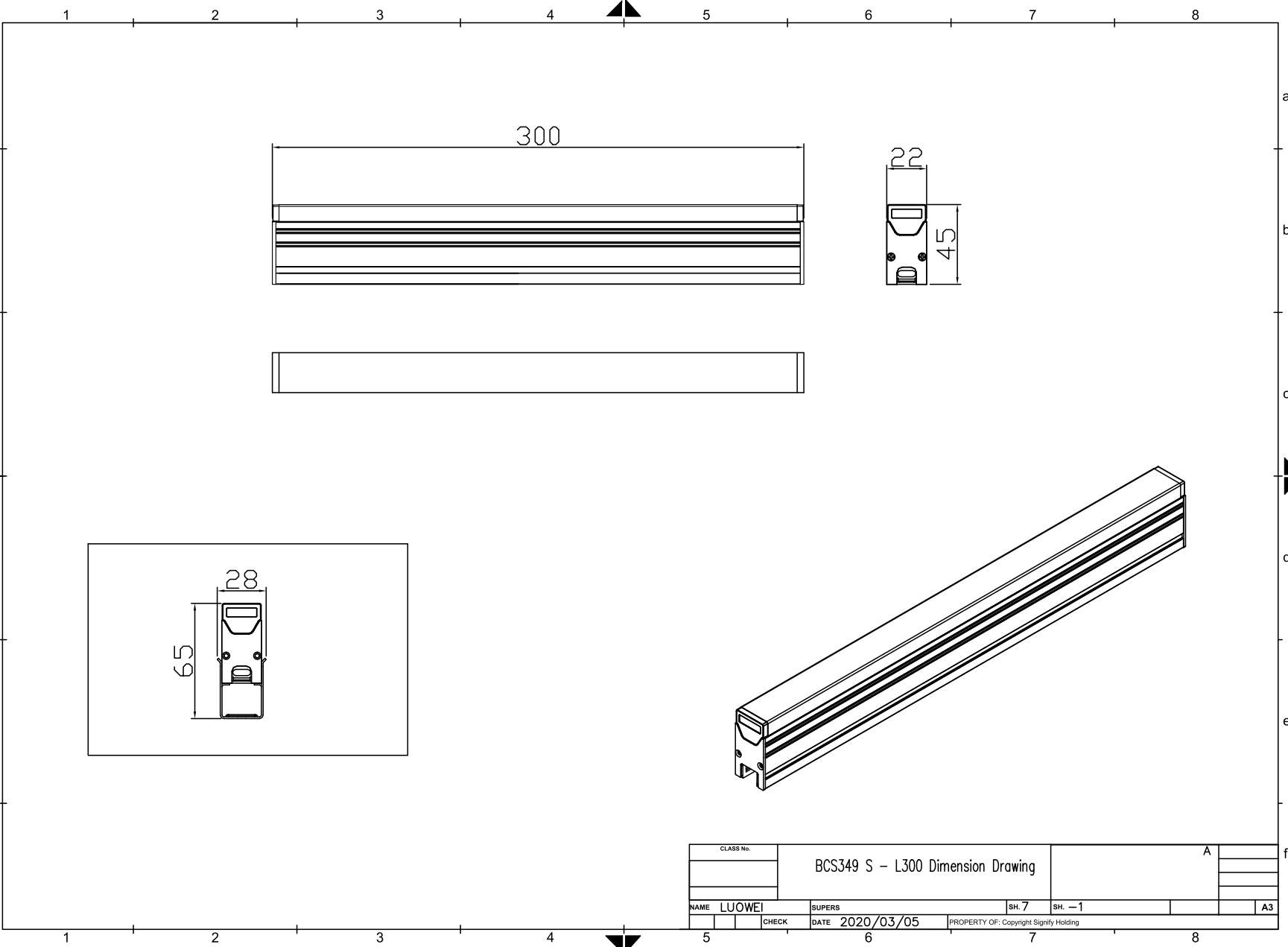


LifeMagic



© 2019 by the inventor. Reproductions are prohibited without the written consent of the copyright owner.



CLASS No.		BCS349 S - L300 Dimension Drawing		A	
NAME	LUOWEI	SUPERS	SH. 7	SH. -1	A3
CHECK	DATE	2020/03/05	PROPERTY OF: Copyright Signify Holding		