

# Point – Medium (BGS319 M)

Point is a surface mounted, exterior-rated and compact sized architectural LED direct view dot lighting luminaire that is designed for façade and outdoor lighting applications.

The robust mechanical and unique optical covers make Point ideal for building facades, bridges, theaters, amusement parks and recreational centers.

Available in white, monochromatic colors, RGB, RGBW and tunable white.

Three optical covers options and DMX control interface available to give architects and designers the freedom to explore a wide range of concepts and design with no limitations.



## Key Features (BGS319 M)

- Low power LEDs to deliver smooth and soft direct view light
- Standard: RGBW, RGB, 2700K, 3000K and 4000K
- Optional 5000K, Monochromatic Colors and Tunable White
- Clear flat, opal and diamond spherical optical covers options
- Robust Design & IP66 rating for outdoor use
- Through wiring for power and DMX data via IP67 connectors
- Available in DMX512 control interface option

## Ordering guide

ex: BGS319 M RGBNW 24V OSC DMX

BGS319	M		24V		
Family	Size	CCT / Color	Voltage	Cover Type	Control <sup>(1)</sup>
BGS319 – Point	M - Medium	27K – 2700K 30K – 3000K 40K – 4000K 50K – 5000K RGB – RGB tW – Tunable White RGBWW – RGBW(3000K) RGBNW – RGBW(4000K) BL – Blue RD – Red GN – Green AM – Amber	24V – 24V DC	CFC – Clear Flat Cover OSC – Opal Spherical Cover DSC – Diamond Spherical Cover	– On/Off DMX – DMX

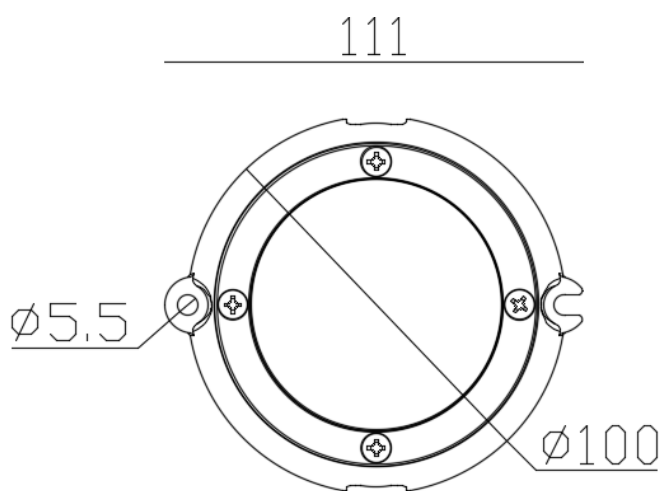
(1) RGB, RGBW and tW are only available in DMX control interface

## Product Data

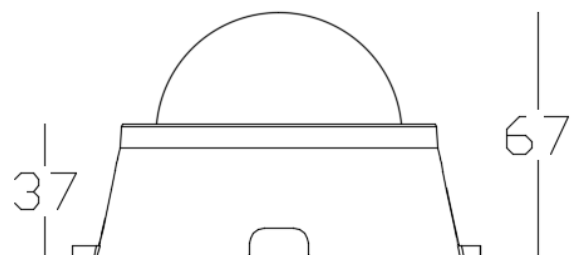
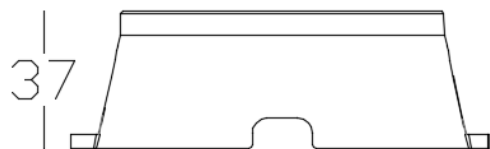
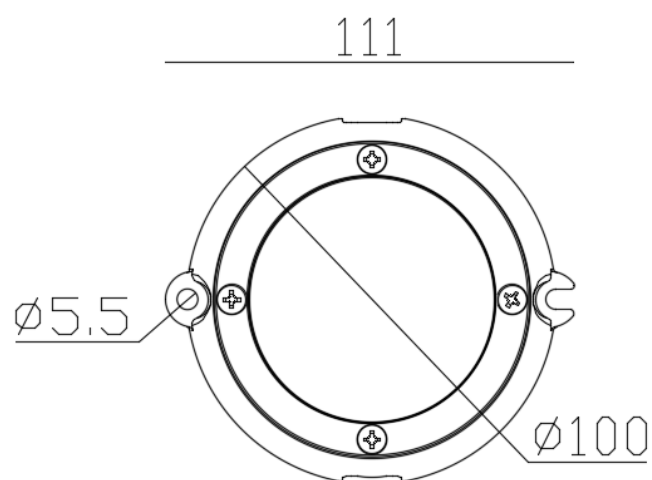
Product Family	Point Medium (BGS319 M)
Dimensions (W x H x D)	111mm x 37mm x 100mm (CFC) 111mm x 67mm x 100mm (OSC / DSC)
Standard Optical Covers	Clear flat Opal spherical Diamond spherical
Source	Low power LED
Lumen Maintenance	White: 50,000 hrs L70 at 35°C RGB: 50,000 hrs L50 at 35°C
Housing	Die-cast aluminum
Finishing	Electrostatically applied polyester powder coating
Color	Dark Grey (RAL7012)
Cover	Anti-aging and anti-UV PC Cover
Gasket	Silicon
Max Weight	0.3 Kg
Control Interfaces	On/Off DMX512
Input Voltage	24V DC
IEC Classification	Class III
Power Cable (On/Off)	2 pole round cable L=30cm, 2x1.5mm <sup>2</sup> with connectors
Power/Signal Cable (DMX)	5 pole round cable L=30cm, 2x1.5mm <sup>2</sup> + 3x0.25mm <sup>2</sup> with connectors
Connectors	IP67 male/female connectors for through wiring
Number of LEDs	30LED
Standard CCT/Color	2700K, 3000K, 4000K, RGB, RGBW(4000K)
Max Power Consumption	6W
Beam Angle	110° (CFC) 150° (OSC)
Standard CRI	80
White SDCM	4
Colors Wavelengths	R: 620 to 625nm; G: 525 to 530nm; B: 470 to 475nm
Temperature Range	-40°C to 50°C (Operating) -35°C to 50°C (Startup) -40°C to 70°C (Storage)
Protection Rating	IP66, IK06
Certification	CE, CB, CQC (all in progress)
Warranty	3 Years

## Luminaire Dimensions:

### CFC



### OSC/DSC



## Optical Covers

### CFC – Clear Flat Cover

**Features:**

The clear flat cover offers a higher luminance, sharper viewing angle (110°) and a more compact size.



### OSC – Opal Spherical Cover

**Features:**

Use the spherical opal cover for a diffused lighting effect with a wider viewing angle (150°)



### DSC – Diamond Spherical Cover

**Features:**

Use the diamond spherical cover for a more aesthetic look by day and unique light effect by night.



## Order Information:

BGS319 M 27K 24V CFC
BGS319 M 27K 24V CFC DMX
BGS319 M 27K 24V OSC
BGS319 M 27K 24V OSC DMX
BGS319 M 27K 24V DSC
BGS319 M 27K 24V DSC DMX
BGS319 M 30K 24V CFC
BGS319 M 30K 24V CFC DMX
BGS319 M 30K 24V OSC
BGS319 M 30K 24V OSC DMX
BGS319 M 30K 24V DSC
BGS319 M 30K 24V DSC DMX
BGS319 M 40K 24V CFC
BGS319 M 40K 24V CFC DMX
BGS319 M 40K 24V OSC
BGS319 M 40K 24V OSC DMX
BGS319 M 40K 24V DSC
BGS319 M 40K 24V DSC DMX
BGS319 M RGB 24V CFC DMX
BGS319 M RGB 24V OSC DMX
BGS319 M RGB 24V DSC DMX
BGS319 M RGBNW 24V CFC DMX
BGS319 M RGBNW 24V OSC DMX
BGS319 M RGBNW 24V DSC DMX

<sup>1</sup>Other options are available upon request

**Order Information:**

**Accessories**

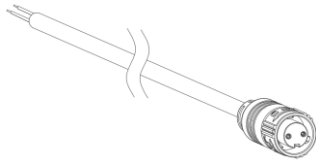
Description
ZXP390 Lead 2P DC cable 2m (10 pcs)
ZXP390 Jump 2P DC cable 2m (10 pcs)
ZXP390 Lead 5P DC/DMX cable 2m (10 pcs)
ZXP390 Jump 5P DC/DMX cable 2m (10 pcs)
ZXP390 Y-connect kit 5P DC/DMX (10 pcs)
ZXP390 Jump 5P DMX connector (10 pcs)
ZXP390 endcap male connector (20 pcs)
ZXP390 endcap female connector (20 pcs)

<sup>1</sup> Different cables lengths are available upon request

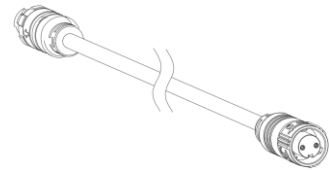
<sup>2</sup> End caps must be used at the end of each run

**Lumen Output Information (±10%)**

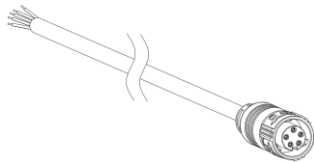
CCT/Color (all channels full on)	CFC		OSC		DSC	
	Lumen	Candela	Lumen	Candela	Lumen	Candela
2700K	372	137	289	57	542	247
3000K	372	137	289	57	542	247
4000K	394	145	306	61	574	252
RGB	174	66	125	23	177	109
RGBNW	214	81	154	31	217	111



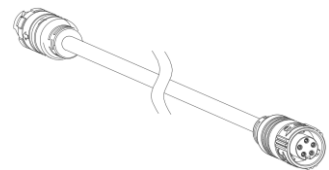
Leader cable 2P DC 2m



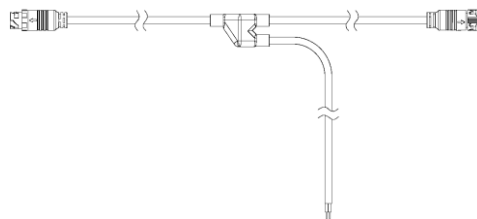
Jumper cable 2P DC 2m



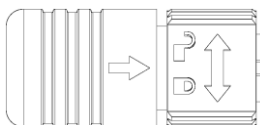
Leader cable 5P DC/DMX 2m



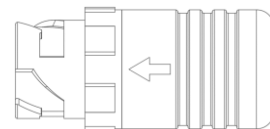
Jumper cable 5P DC/DMX 2m



Y-connector kit 5P DC/DMX



Endcap for male connectors



Endcap for female connectors

