

Point – Large (BGS319 L)

Point is a surface mounted, exterior-rated and compact sized architectural LED direct view dot lighting luminaire that is designed for façade and outdoor lighting applications.

The robust mechanical and unique optical covers make Point ideal for building facades, bridges, theaters, amusement parks and recreational centers.

Available in white, monochromatic colors, RGB, RGBW and tunable white.

Three optical covers options and DMX control interface available to give architects and designers the freedom to explore a wide range of concepts and design with no limitations.



Key Features (BGS319 L)

- High power LEDs to deliver a brighter and more intense lighting
- Standard: RGBW, RGB, 2700K, 3000K and 4000K
- Optional 5000K, Monochromatic Colors and Tunable White
- Clear flat, opal and diamond spherical optical covers
- Robust Design & IP66 rating for outdoor use
- Through wiring for power and DMX data via IP67 connectors
- Available in DMX512 control interface option

Ordering guide

ex: *BGS319 L 40K 24V OSC DMX*

BGS319	L		24V		
Family	# of LEDs	CCT / Color	Voltage	Cover Type	Control ⁽¹⁾
BGS319 – Point	L – Large	27K – 2700K 30K – 3000K 40K – 4000K 50K – 5000K RGB – RGB RGBWW – RGBW(3000K) RGBNW – RGBW(4000K) BL – Blue RD – Red GN – Green AM – Amber tW – Tunable White	24V – 24V DC	CFC – Clear Flat Cover OSC – Opal Spherical Cover DSC – Diamond Spherical Cover	– On/Off DMX – DMX

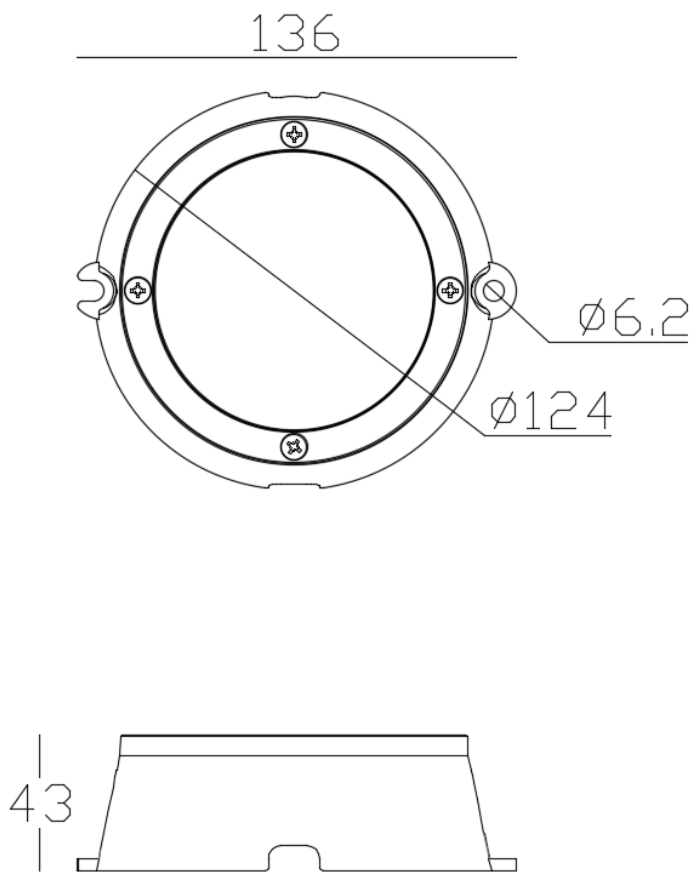
(1) RGB, RGBW and tW are only available in DMX control interface

Product Data

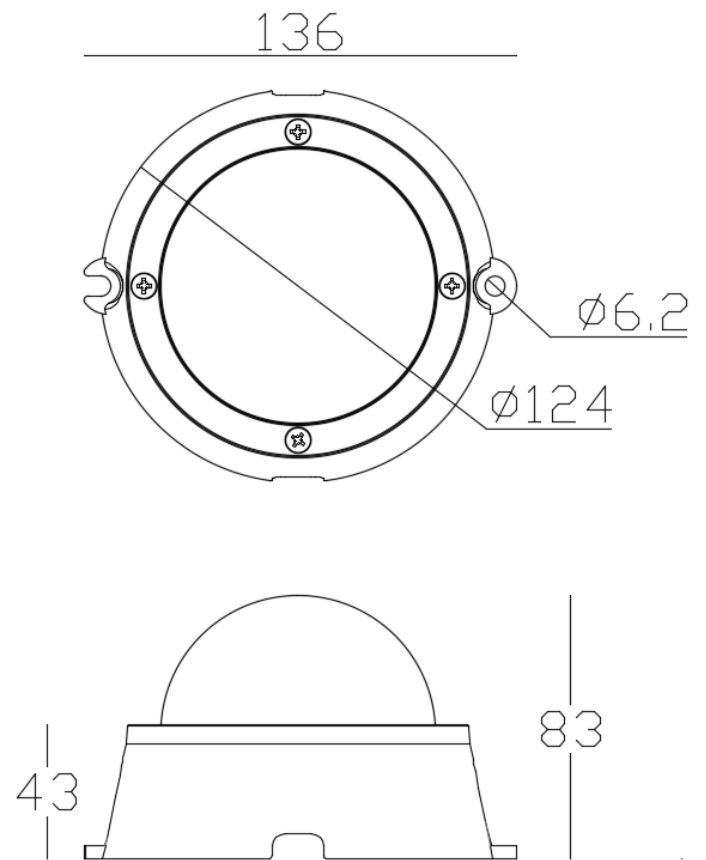
Product Family	Point Large (BGS319 L)	
Dimensions (D x H)	136mm x 43mm x 124mm (CFC) 136mm x 83mm x 124mm (OSC/DSC)	
Standard Optical Covers	Clear flat Opal spherical Diamond spherical	
Source	High power LED	
Lumen Maintenance	White: 50,000 hrs L70 at 35°C RGB: 50,000 hrs L50 at 35°C	
Housing	Die-cast aluminum	
Finishing	Electrostatically applied polyester powder coating	
Color	Dark Grey (RAL7012)	
Cover	Anti-aging and anti-UV PC Cover	
Gasket	Silicon	
Max Weight	0.4 Kg	
Control Interfaces	On/Off DMX512	
Input Voltage	24V DC	
IEC Classification	Class III	
Power Cable (On/Off)	2 pole round cable L=30cm, 2x1.5mm ² with connectors	
Power/Signal Cable (DMX)	5 pole round cable L=30cm, 2x1.5mm ² + 3x0.25mm ² with connectors	
Connectors	IP67 male/female connectors for through wiring	
Standard Number of LEDs	9LED	6LED
Standard CCT/Color	2700K, 3000K, 4000K	RGB, RGBW(4000K)
Max Power Consumption	9W	
Beam Angle	110° (CFC) 160° (OSC)	
Standard CRI	80	
White SDCM	4	
Colors Wavelengths	R: 620 to 625nm; G: 525 to 530nm; B: 470 to 475nm	
Temperature Range	-40°C to 50°C (Operating) -35°C to 50°C (Startup) -40°C to 70°C (Storage)	
Protection Rating	IP66, IK06	
Certification	CE, CB, CQC (all in progress)	
Warranty	3 Years	

Luminaire Dimensions:

CFC



OSC/DSC



Optical Covers

CFC – Clear Flat Cover

Features:

The clear flat cover offers a higher luminance, sharper viewing angle (110°) and a more compact size.



OSC – Opal Spherical Cover

Features:

Use the spherical opal cover for a diffused lighting effect with a wider viewing angle (160°)



DSC – Diamond Spherical Cover

Features:

Use the diamond spherical cover for a more aesthetic look by day and unique light effect by night.



Order Information:

Description
BGS319 L 27K 24V CFC
BGS319 L 27K 24V CFC DMX
BGS319 L 27K 24V OSC
BGS319 L 27K 24V OSC DMX
BGS319 L 27K 24V DSC
BGS319 L 27K 24V DSC DMX
BGS319 L 30K 24V CFC
BGS319 L 30K 24V CFC DMX
BGS319 L 30K 24V OSC
BGS319 L 30K 24V OSC DMX
BGS319 L 30K 24V DSC
BGS319 L 30K 24V DSC DMX
BGS319 L 40K 24V CFC
BGS319 L 40K 24V CFC DMX
BGS319 L 40K 24V OSC
BGS319 L 40K 24V OSC DMX
BGS319 L 40K 24V DSC
BGS319 L 40K 24V DSC DMX
BGS319 L RGB 24V CFC DMX
BGS319 L RGB 24V OSC DMX
BGS319 L RGB 24V DSC DMX
BGS319 L RGBNW 24V CFC DMX
BGS319 L RGBNW 24V OSC DMX
BGS319 L RGBNW 24V DSC DMX

¹Other options are available upon request

Order Information:

Accessories

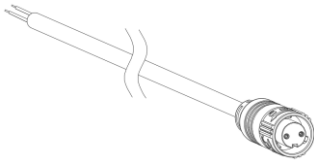
Description
ZXP390 Lead 2P DC cable 2m (10 pcs)
ZXP390 Jump 2P DC cable 2m (10 pcs)
ZXP390 Lead 5P DC/DMX cable 2m (10 pcs)
ZXP390 Jump 5P DC/DMX cable 2m (10 pcs)
ZXP390 Y-connect kit 5P DC/DMX (10 pcs)
ZXP390 Jump 5P DMX connector (10 pcs)
ZXP390 endcap male connector (20 pcs)
ZXP390 endcap female connector (20 pcs)

¹ Different cables lengths are available upon request

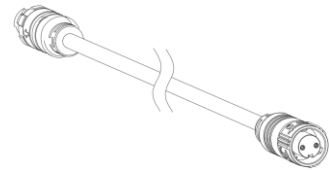
² End caps must be used at the end of each run

Lumen Output Information (±10%)

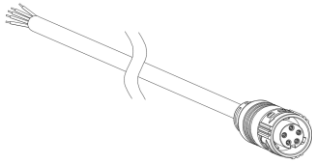
CCT/Color (all channels full on)	CFC		OSC		DSC	
	Lumen	Candela	Lumen	Candela	Lumen	Candela
2700K	700	255	510	98	688	528
3000K	700	255	510	98	688	528
4000K	741	271	540	104	729	560
RGB	297	112	225	42	314	193
RGBNW	404	149	291	53	420	253



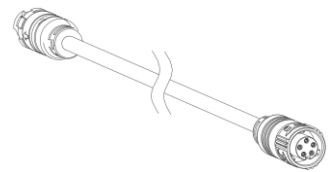
Leader cable 2P DC 2m



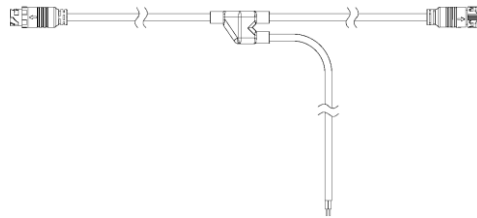
Jumper cable 2P DC 2m



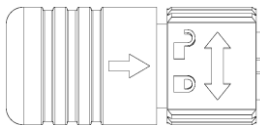
Leader cable 5P DC/DMX 2m



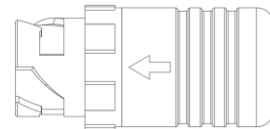
Jumper cable 5P DC/DMX 2m



Y-connector kit 5P DC/DMX



Endcap for male connectors



Endcap for female connectors

