

Giant - Single Head (BVP349 S)

Giant is a rectangular shaped and exterior-rated architectural LED floodlight that is designed for façade, landscape and outdoor flood lighting applications.

The robust mechanical design and high-efficient optical design make it ideal for illuminating high story exterior facades, bridges, landmarks and monuments.

Available in white, monochromatic colors, RGB, RGBW and tunable white.

Eight different spread lenses ranging from narrow spot, to wide flood and DMX512/RDM control option available to give architects and designers the freedom to explore a wide range of concepts and design with no limitations.



Key Features

- Standard: RGBW, RGB, 2700K, 3000K and 4000K
- Optional 5000K, Monochromatic Colors and Tunable White
- Wide Range of Beam Angles from Narrow Spot to Wide Flood
- 1 foot-candle at up to 315m (4000K, 3.5° lens)
- Robust Design & IP66 rated for outdoor use
- Adjustable $\pm 90^\circ$ tilting angle
- Available in DMX512/RDM control interface option

Ordering guide

ex: BVP349 S RGB 220V 7 DMX

BVP349	S		220V		
Family	# of Heads	CCT / Color	Voltage	Beam Angles	Control
BVP349 - Giant	S – Single Head	27K – 2700K 30K – 3000K 40K – 4000K 50K – 5000K RGB – RGB RGBA – RGBA tW – Tunable White RGBWW – RGBW(3000K) RGBNW – RGBW(4000K) BL – Blue RD – Red GN – Green AM – Amber	220V – 220-240V AC	3 – 3.5°x3.5° 7 – 7.5°x7.5° 15x17 – 15°x17° 8 – 8°x8° 15 – 15°x15° 30 – 30°x30° 40 – 40°x40° 60 – 60°x60°	– On/Off DMX – DMX/RDM

(1) 48LED is only available in 3.5

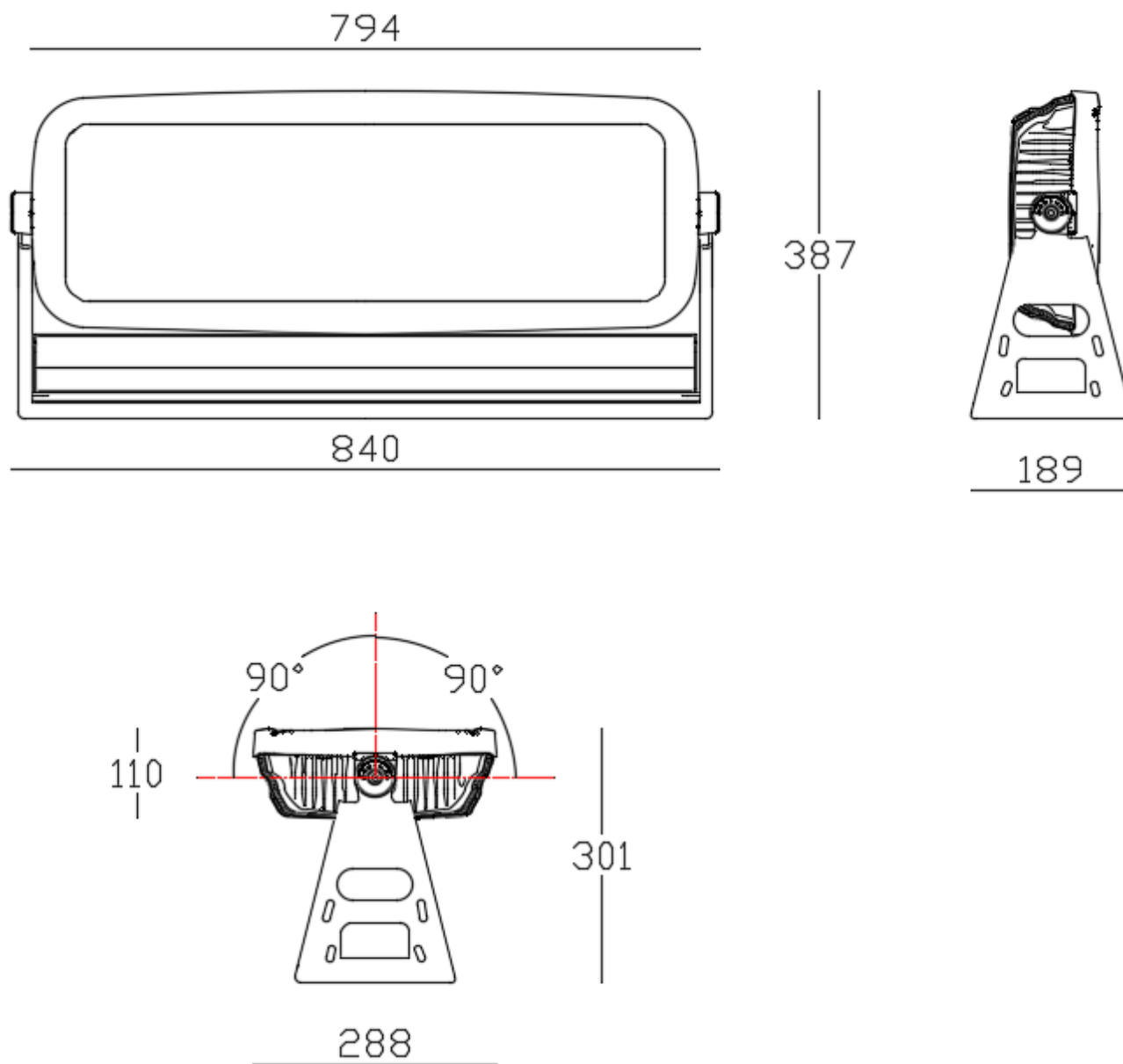
Rev. 20190313

Product Data

Product Family	Giant - Single Head (BVP349 S)		
Dimensions (W x H x D)	840mm x 387mm x 189mm (with bracket) 794mm x 288mm x 107mm (without bracket)		
Source	High power LED		
Lumen Maintenance	White: 50,000 hrs L70 at 35°C RGB: 50,000 hrs L50 at 35°C		
Housing	Die-cast aluminum		
Finishing	Electrostatically applied polyester powder coating		
Color	Dark Grey RAL7012		
Bracket	Cold-rolled steel		
Adjustability	Tilting angle $\pm 90^\circ$		
Lenses	Anti-aging and anti-UV high optical efficiency PMMA lenses		
Gasket	Silicon		
Cover	Clear tempered glass		
Max Weight	28kg		
Control Interfaces	On/Off DMX512/RDM		
Input Voltage	220-240 VAC, 50/60Hz		
Inrush Current ⁽¹⁾	48LED: 70A	108LED / 120LED: 90A	
	/650 μ s (cold start 230Vac/50Hz measured at 50% I _{peak})		
Maximum Number of Luminaires on MCB Rating	48LED	108LED / 120LED	
16A MCB ⁽¹⁾	3 unit (Type B) 6 units (Type C)	1 unit (Type B) 2 units (Type C)	
63A MCB ⁽¹⁾	11 unit (Type B) 23 units (Type C)	3 unit (Type B) 7 units (Type C)	
Total Harmonic Distortion	< 15%		
IEC Classification	Class I		
Power Cable	3 pole round cable L=50cm, 3x1.0mm ² with flying wires		
Signal Cable	4 pole round cable L=50cm, 4x0.50mm (DMX versions only)		
Cables Connectors	IP67 Male/Female connectors for DMX through wiring (DMX versions only)		
Number of LEDs	48LED	108LED	120LED
Beam Angles	3.5°	7.5°, 15x17°	8°, 15°, 30°, 45°, 60°
Max Power Consumption	120W	270W	300W
Standard CCT	2700K, 3000K, 4000K		
Standard Colors	RGB, RGBW(4000K)		
Standard CRI	80		
White SDCM	4		
Colors Wavelengths	R: 620 to 625nm; G: 525 to 530nm; B: 470 to 475nm		
Temperature Range	-40°C to 50°C (Operating) -35°C to 50°C (Startup) -40°C to 70°C (Storage)		
Protection Rating	IP66, IK06		
Certifications	CE, CB, CQC (all in progress)		
Warranty	3 Years		

(1) Inrush current and MCBs details are based on the drivers used in white, RGB and RGBW.

Luminaire Dimensions:



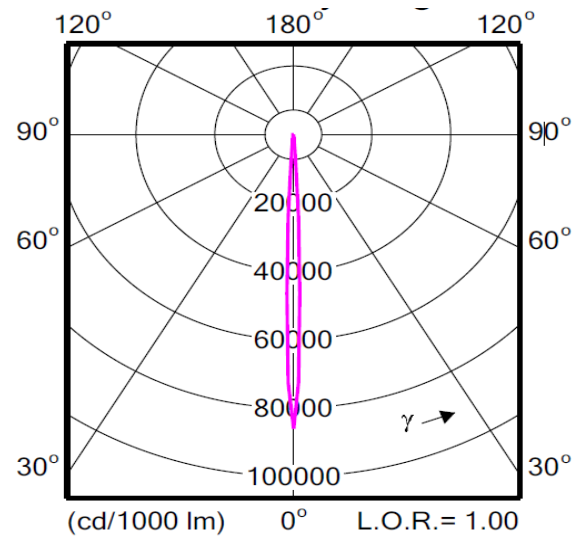
Polar Candela Distribution Curves:

3.5x3.5° Beam Angle

Features:

The 3.5x3.5° beam angle delivers a very narrow beam with more lumens where you want them.

Available only for 48LED version

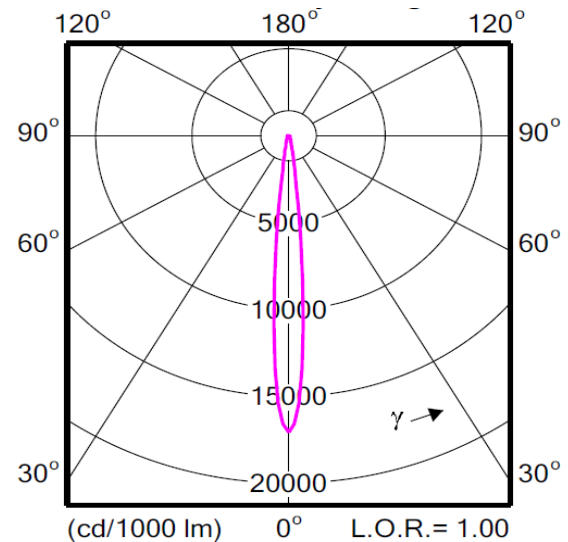


7.5x7.5° Beam Angle

Features:

The 7.5x7.5° beam angle offers a narrow beam that can be used to highlight a small area in a building or making an ornament stand out.

Available only for 108LED version

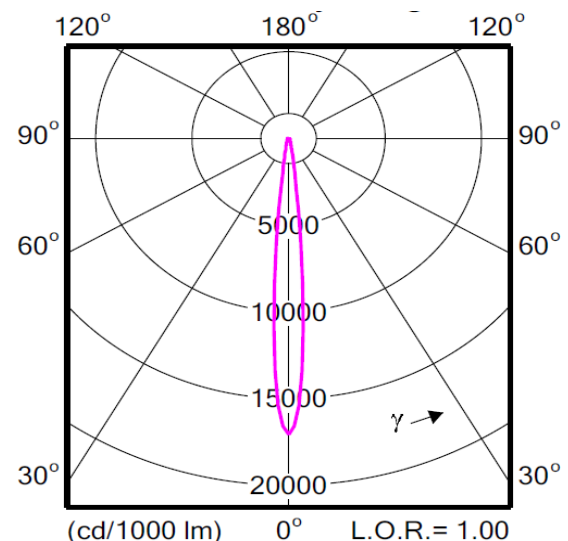


8x8° Beam Angle

Features:

The 8x8° beam angle offers a narrow beam that can be used to highlight a small area in a building or making an ornament stand out.

Available only for 120LED



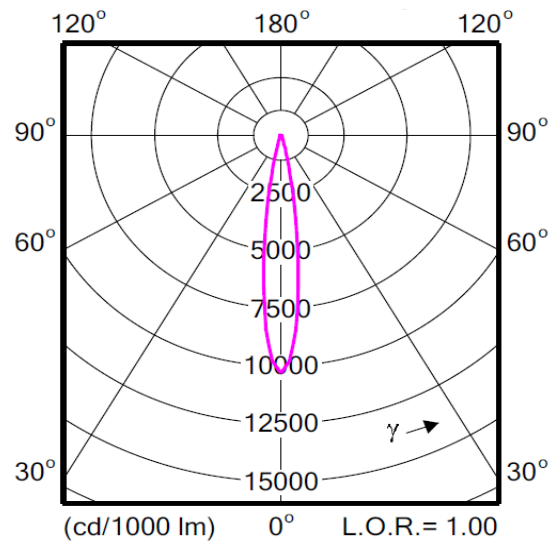
Polar Candela Distribution Curves:

15x15° Beam Angle

Features:

The 15x15° beam angle offers a medium beam distribution that can be used to highlight a small to medium area in a building or making an ornament stands out.

Available only for 120LED version

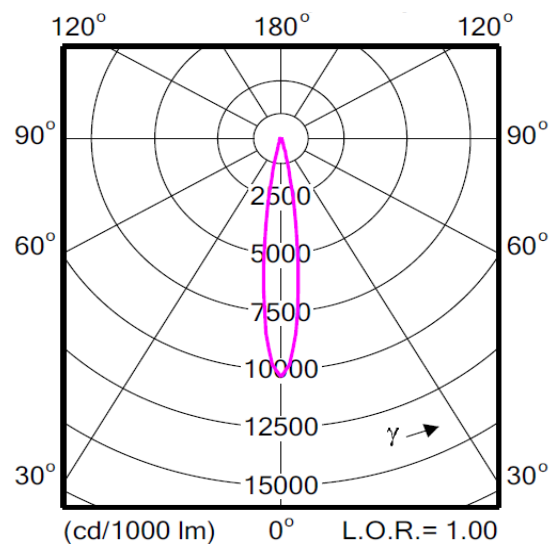


15x17° Beam Angle

Features:

The 15x17° beam angle offers a medium distribution that is a bit asymmetric that can be used to highlight a small to medium area in a building or making an ornament stands out.

Available only for 108LED version

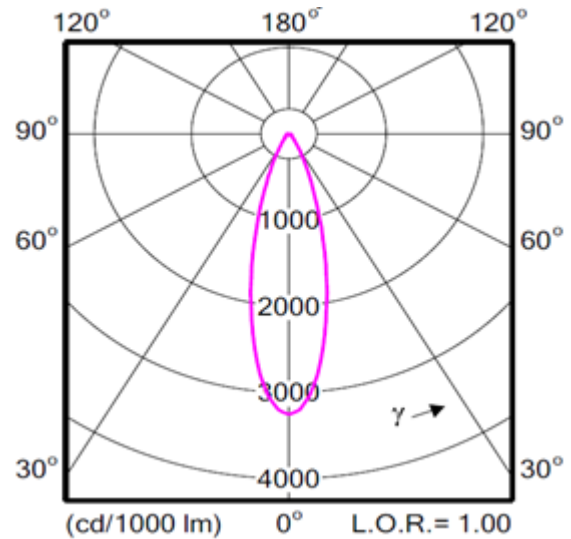


Polar Candela Distribution Curves:

30x30° Beam Angle

Features:

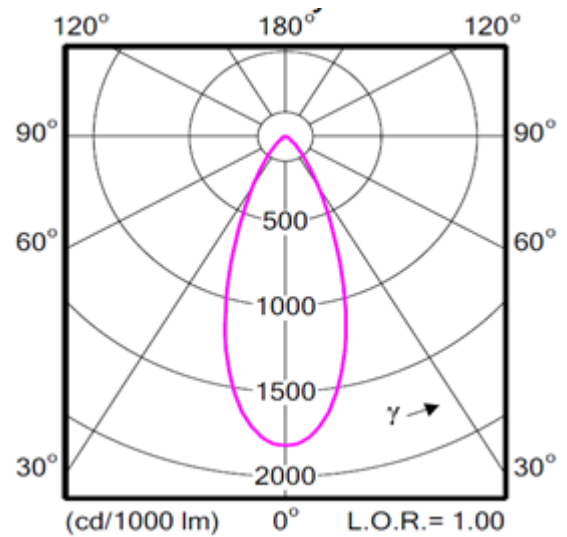
The 30x30° beam angle offers a wide beam that can be used for highlighting medium to large areas in a building or used for general façade lighting. Available only for 120LED



40x40° Beam Angle

Features:

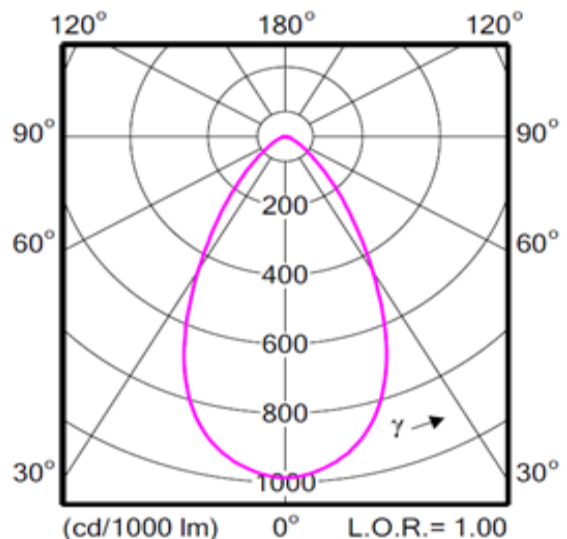
The 40x40° beam angle offers a wide beam that can be used for highlighting large and wide areas in a building or used for general façade lighting. Available only for 120LED



60x60° Beam Angle

Features:

The 60x60° beam angle offers a wide flood distribution that can be used to highlight larger and wider areas in a building or for general façade lighting. Available only for 120LED



Order Information:

Description
BVP349 S 27K 220V 3
BVP349 S 27K 220V 3 DMX
BVP349 S 30K 220V 3
BVP349 S 30K 220V 3 DMX
BVP349 S 40K 220V 3
BVP349 S 40K 220V 3 DMX
BVP349 S RGB 220V 3 DMX
BVP349 S RGBNW 220V 3 DMX
BVP349 S 27K 220V 7
BVP349 S 27K 220V 7 DMX
BVP349 S 30K 220V 7
BVP349 S 30K 220V 7 DMX
BVP349 S 40K 220V 7
BVP349 S 40K 220V 7 DMX
BVP349 S RGB 220V 7 DMX
BVP349 S RGBNW 220V 7 DMX
BVP349 S 27K 220V 15x17
BVP349 S 27K 220V 15x17 DMX
BVP349 S 30K 220V 15x17
BVP349 S 30K 220V 15x17 DMX
BVP349 S 40K 220V 15x17
BVP349 S 40K 220V 15x17 DMX
BVP349 S RGB 220V 15x17 DMX
BVP349 S RGBNW 220V 15x17 DMX

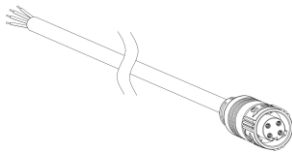
¹Other options are available upon request

Accessories:

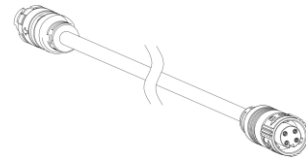
Description
ZXP390 Lead 4P DMX cable 2m (10 pcs)
ZXP390 Jump 4P DMX cable 2m (10 pcs)
ZXP390 endcap male connector (20 pcs)
ZXP390 endcap female connector (20 pcs)

¹ Different cables lengths are available upon request

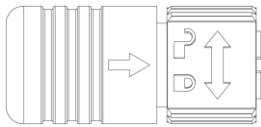
² End caps must be used at the end of each run



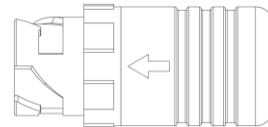
Leader cable 4P DMX 2m



Jumper cable 4P DMX 2m



End cap for male connectors



End cap for female connectors

Lumen Output Information ($\pm 10\%$)

BVP349 S 48LED Version

CCT/Color (all channels full on)	3.5°
	DMX
2700K	6,100
3000K	6,500
4000K	7,400
RGB	4,700
RGBNW	5,500

BVP349 S 108LED Version

CCT/Color (all channels full on)	7.5°	15x17°
	DMX	DMX
2700K	16,300	16,790
3000K	17,440	17,960
4000K	19,890	20,480
RGB	12,550	12,930
RGBNW	14,340	14,770

BVP349 S 120LED Version

CCT/Color (all channels full on)	8°	15°	30°	40°	60°
	DMX	DMX	DMX	DMX	DMX
2700K	18,600	19,240	17,790	17,790	16,170
3000K	19,900	20,590	19,030	19,030	17,300
4000K	22,690	23,480	21,700	21,700	19,730
RGB	14,610	15,120	13,980	13,980	12,710
RGBNW	16,700	17,280	15,970	15,970	14,520

