

# Giant Double Head (BVP349 D)

Giant is a rectangular shaped and exterior-rated architectural LED floodlight that is designed for façade, landscape and outdoor flood lighting applications.

The robust mechanical design and high-efficient optical design make it ideal for illuminating high story exterior facades, bridges, landmarks and monuments.

Available in white, monochromatic colors, RGB, RGBW and tunable white.

Eight different spread lenses ranging from narrow spot, to wide flood and DMX512/RDM control option available to give architects and designers the freedom to explore a wide range of concepts and design with no limitations.



## Key Features

- Standard: RGBW, RGB, 2700K, 3000K and 4000K
- Optional 5000K, Monochromatic Colors and Tunable White
- Wide Range of Beam Angles from Narrow Spot to Wide Flood
- 1 foot-candle at up to 445m (4000K, 3.5° lens)
- Robust Design & IP66 rated for outdoor use
- Adjustable -50° to +90° tilting angle for each head
- Adjustable -60° to +90° tilting angle for the whole luminaire
- Available in DMX512/RDM control interface option

## Ordering guide

ex: *BVP349 D RGBNW 220V 3 DMX*

<u>BVP349</u>	<u>D</u>		<u>220V</u>		
<u>Family</u>	<u># of Heads</u>	<u>CCT / Color</u>	<u>Voltage</u>	<u>Beam Angles</u>	<u>Control</u>
BVP349 - Giant	D – Double Head	27K – 2700K 30K – 3000K 40K – 4000K 50K – 5000K RGB – RGB RGBA - RGBA tW – Tunable White RGBWW – RGBW(3000K) RGBNW – RGBW(4000K) BL – Blue RD – Red GN – Green AM – Amber	220V – 220-240V AC	3 – 3.5°x3.5° 7 – 7.5°x7.5° 15x17 – 15°x17° 8 – 8°x8° 15 – 15°x15° 30 – 30°x30° 40 – 40°x40° 60 – 60°x60°	– On/Off DMX – DMX/RDM

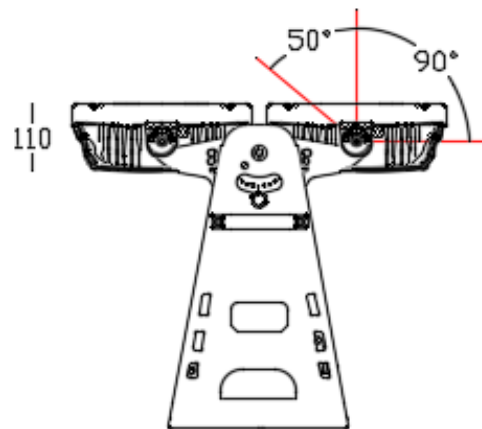
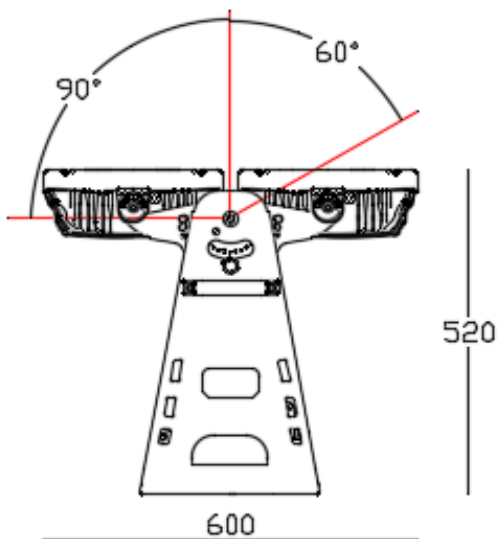
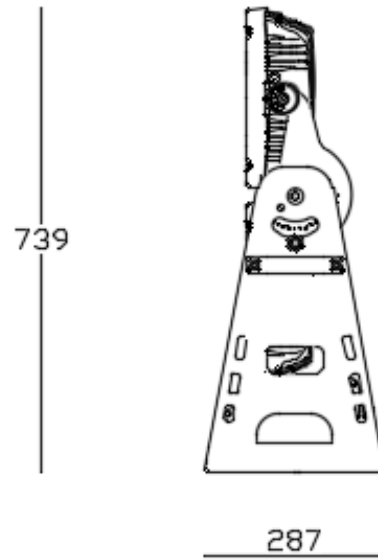
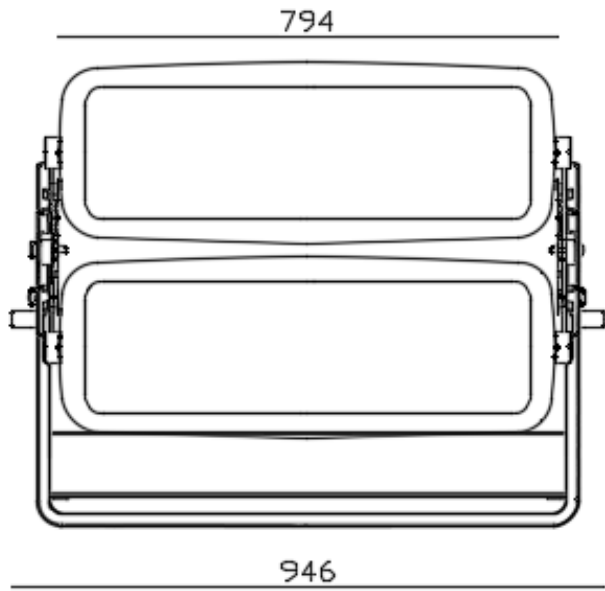
(1) 96LED is only available in 3.5°, 216LED is only available in 7.5° and 15x17° and 240LED is only available in 8°-60°

## Product Data

Product Family	Giant - Double Heads (BVP349 D)		
Dimensions (W x H x D)	946mm x 739mm x 287mm (with bracket) 794mm x 600mm x 110mm (without bracket)		
Source	High power LED		
Lumen Maintenance	White: 50,000 hrs L70 at 35°C   RGB: 50,000 hrs L50 at 35°C		
Housing	Die-cast aluminum		
Finishing	Electrostatically applied polyester powder coating		
Color	Dark Grey RAL7012		
Bracket	Cold-rolled steel		
Adjustability	Tilting angle for each head -50° to +90° Tilting angle for the whole luminaire: -60° to +90°		
Lenses	Anti-aging and anti-UV high optical efficiency PMMA lenses		
Gasket	Silicon		
Cover	Clear tempered glass		
Max Weight	58kg		
Control Interfaces	On/Off   DMX512/RDM		
Input Voltage	220-240 VAC, 50/60Hz		
Inrush Current <sup>(1)</sup>	Max 180A/650μs (cold start 230Vac/50Hz measured at 50% Ipeak) (90A x 2 drivers)		
Maximum Number of Luminaires on 16A MCB <sup>(1)</sup>	0 unit (Type B) 1 unit (Type C)		
Maximum Number of Luminaires on 63A MCB <sup>(1)</sup>	1 unit (Type B) 3 units (Type C)		
Total Harmonic Distortion	< 10%		
IEC Classification	Class I		
Power Cable	3 pole round cable L=50cm, 3x1.0mm <sup>2</sup> with flying wires		
Signal Cable	4 pole round cable L=50cm, 4x0.50mm <sup>2</sup> (DMX versions only)		
Cables Connectors	IP67 Male/Female connectors for DMX through wiring (DMX versions only)		
Number of LEDs	96LED	216LED	240LED
Beam Angles	3.5°	7.5°, 15x17°	8°, 15°, 30°, 45°, 60°
Max Power Consumption	240W	540W	600W
Standard CCT	2700K, 3000K, 4000K		
Standard Colors	RGB, RGBW(4000K)		
Standard CRI	80		
White SDCM	4		
Colors Wavelengths	R: 620 to 625nm; G: 525 to 530nm; B: 470 to 475nm		
Temperature Range	-40°C to 50°C (Operating) -35°C to 50°C (Startup) -40°C to 70°C (Storage)		
Protection Rating	IP66, IK06		
Certifications	CE, CB, CQC (all in progress)		
Warranty	3 Years		

(1) Inrush current and MCBs details are based on the drivers used in white, RGB and RGBW.

## Luminaire Dimensions:



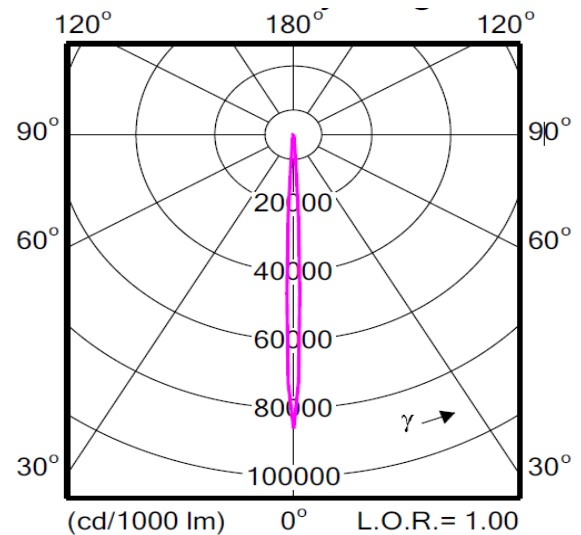
## Polar Candela Distribution Curves:

### 3.5x3.5° Beam Angle

**Features:**

The 3.5x3.5° beam angle delivers a very narrow beam with more lumens where you want them.

Available only for 48LED version

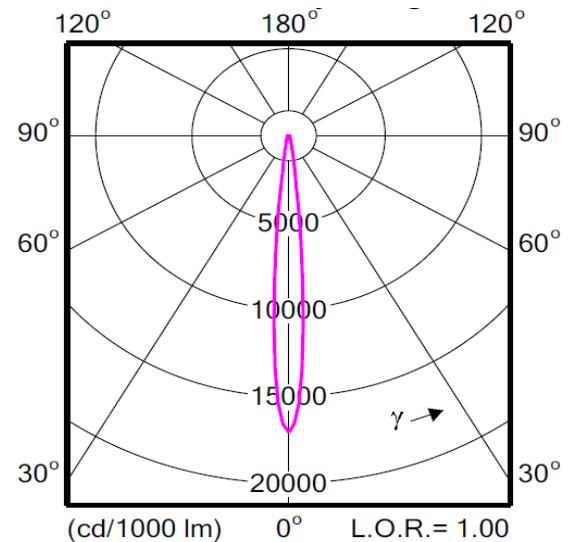


### 7.5x7.5° Beam Angle

**Features:**

The 7.5x7.5° beam angle offers a narrow beam that can be used to highlight a small area in a building or making an ornament stand out.

Available only for 108LED version

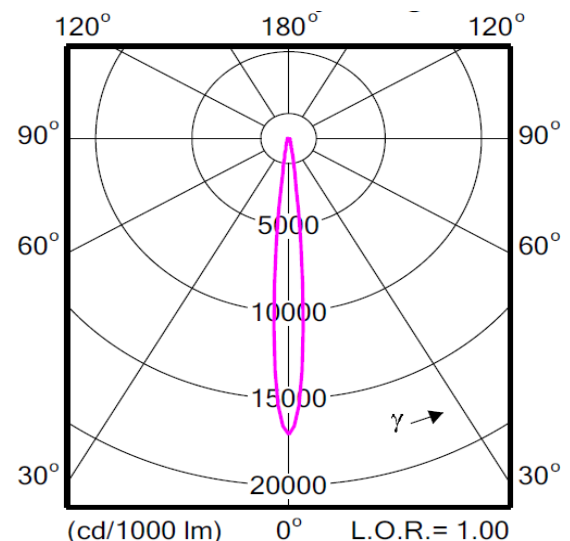


### 8x8° Beam Angle

**Features:**

The 8x8° beam angle offers a narrow beam that can be used to highlight a small area in a building or making an ornament stand out.

Available only for 120LED



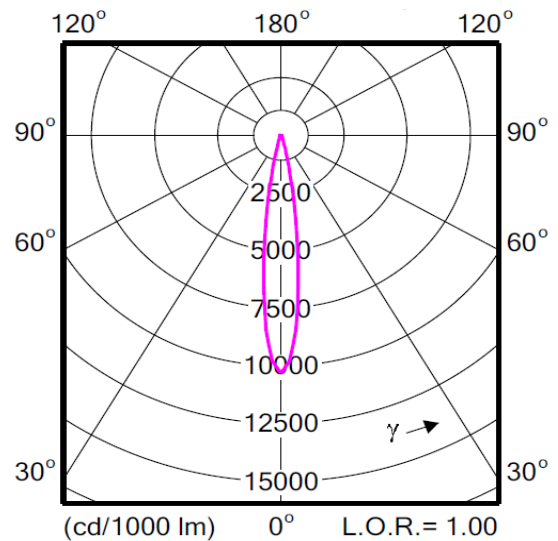
## Polar Candela Distribution Curves:

### 15x15° Beam Angle

**Features:**

The 15x15° beam angle offers a medium beam distribution that can be used to highlight a small to medium area in a building or making an ornament stands out.

Available only for 120LED version

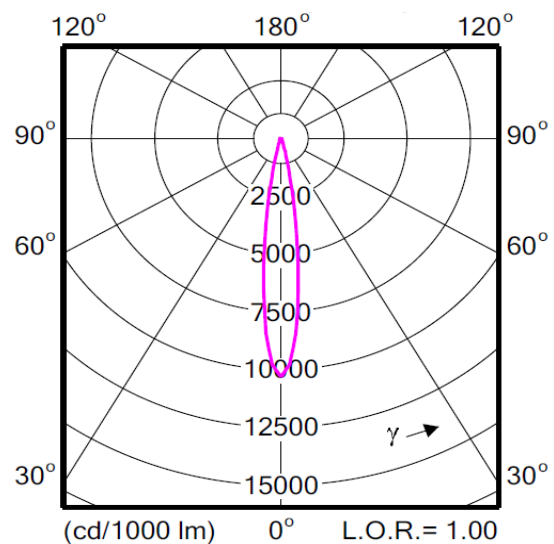


### 15x17° Beam Angle

**Features:**

The 15x17° beam angle offers a medium distribution that is a bit asymmetric that can be used to highlight a small to medium area in a building or making an ornament stands out.

Available only for 108LED version

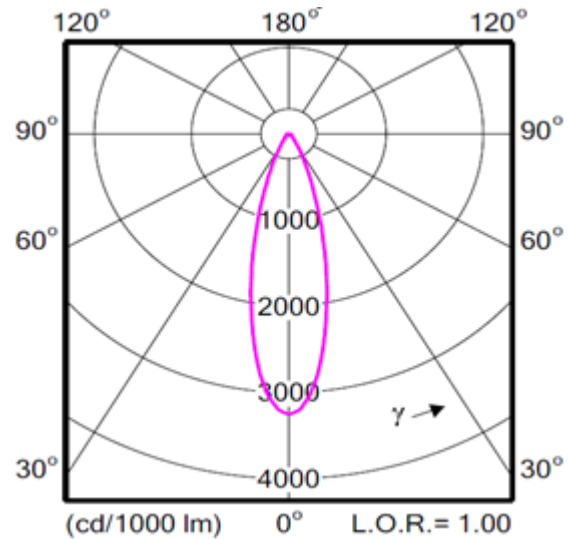


## Polar Candela Distribution Curves:

### 30x30° Beam Angle

**Features:**

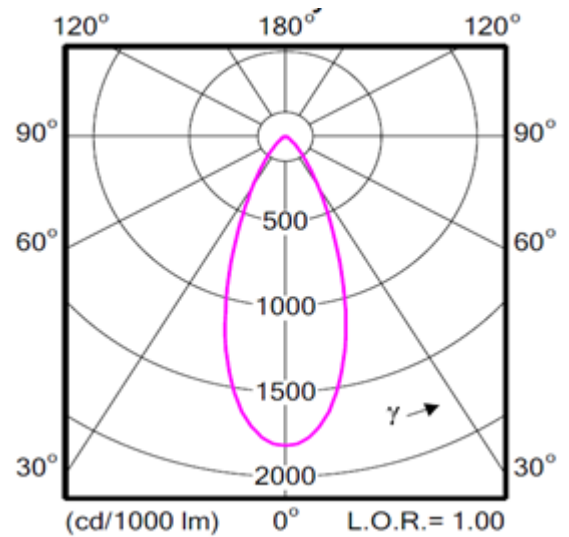
The 30x30° beam angle offers a wide beam that can be used for highlighting medium to large areas in a building or used for general façade lighting. Available only for 120LED



### 40x40° Beam Angle

**Features:**

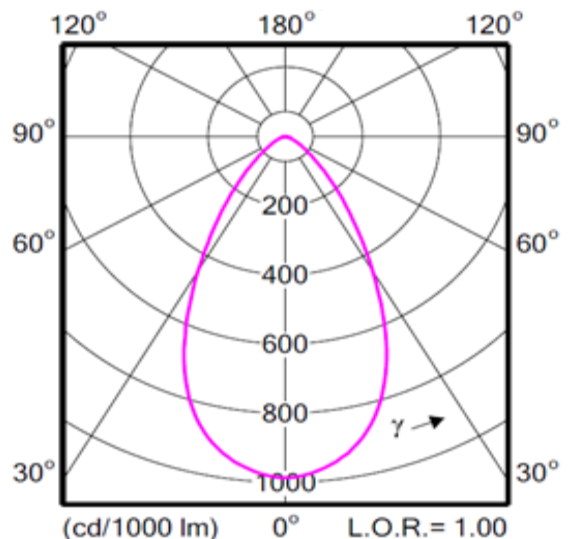
The 40x40° beam angle offers a wide beam that can be used for highlighting large and wide areas in a building or used for general façade lighting. Available only for 120LED



### 60x60° Beam Angle

**Features:**

The 60x60° beam angle offers a wide flood distribution that can be used to highlight larger and wider areas in a building or for general façade lighting. Available only for 120LED



**Order Information:**

Description
BVP349 D 27K 220V 3
BVP349 D 27K 220V 3 DMX
BVP349 D 30K 220V 3
BVP349 D 30K 220V 3 DMX
BVP349 D 40K 220V 3
BVP349 D 40K 220V 3 DMX
BVP349 D RGB 220V 3 DMX
BVP349 D RGBNW 220V 3 DMX
BVP349 D 27K 220V 7
BVP349 D 27K 220V 7 DMX
BVP349 D 30K 220V 7
BVP349 D 30K 220V 7 DMX
BVP349 D 40K 220V 7
BVP349 D 40K 220V 7 DMX
BVP349 D RGB 220V 7 DMX
BVP349 D RGBNW 220V 7 DMX
BVP349 D 27K 220V 15x17
BVP349 D 27K 220V 15x17 DMX
BVP349 D 30K 220V 15x17
BVP349 D 30K 220V 15x17 DMX
BVP349 D 40K 220V 15x17
BVP349 D 40K 220V 15x17 DMX
BVP349 D RGB 220V 15x17 DMX
BVP349 D RGBNW 220V 15x17 DMX

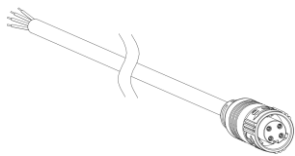
<sup>1</sup>Other options are available upon request

## Accessories:

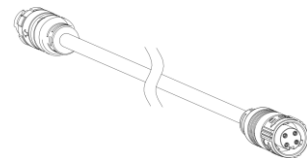
Description
ZXP390 Lead 4P DMX cable 2m (10 pcs)
ZXP390 Jump 4P DMX cable 2m (10 pcs)
ZXP390 endcap male connector (20 pcs)
ZXP390 endcap female connector (20 pcs)

<sup>1</sup> Different cables lengths are available upon request

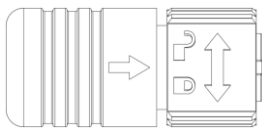
<sup>2</sup> End caps must be used at the end of each run



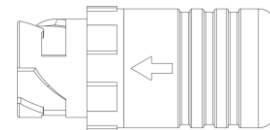
Leader cable 4P DMX 2m



Jumper cable 4P DMX 2m



End cap for male connectors



End cap for female connectors



## Lumen Output Information ( $\pm 10\%$ )

### BVP349 D 96LED Version

CCT/Color (all channels full on)	3.5°
	DMX
2700K	12,210
3000K	13,060
4000K	14,900
RGB	9,400
RGBNW	10,960

### BVP349 D 216LED Version

CCT/Color (all channels full on)	7.5°	15x17°
	DMX	DMX
2700K	32,600	33,580
3000K	34,880	35,930
4000K	39,770	40,960
RGB	25,100	25,850
RGBNW	28,690	29,550

### BVP349 D 240LED Version

CCT/Color (all channels full on)	8°	15°	30°	40°	60°
	DMX	DMX	DMX	DMX	DMX
2700K	37,190	38,490	35,570	35,570	32,340
3000K	39,790	41,180	38,060	38,060	34,600
4000K	45,370	46,950	43,400	43,400	39,460
RGB	29,220	30,240	27,950	27,950	25,410
RGBNW	33,400	34,560	31,940	31,940	29,040

