

# Flash Pro – Small (BWS309)

Flash Pro is a surface mounted, exterior-rated and compact sized architectural LED direct view string that is designed for façade and outdoor lighting applications.

The robust mechanical design, easy installation and unique optical lenses make Flash Pro ideal for buildings/media facades, bridges, arenas, theaters, amusement parks and recreational centers.

Available in white, monochromatic colors, RGB, RGBW and tunable white.

Symmetrical and asymmetrical optical distributions with DMX control option to give architects and designers the freedom to explore a wide range of concepts and design with no limitations.



## Key Features (BWS309 S)

- Standard: RGBW, RGB, 2700K, 3000K and 4000K
- Optional 5000K, Monochromatic Colors and Tunable White
- Standard pixel pitch of 125mm (center-to-center)
- Viewing angle 110°
- Robust Design & IP66 rating for outdoor use
- Through wiring for power and DMX data via IP67 connectors
- Available in DMX512 control interface option

## Ordering guide

ex: *BWS309 S 4LED RGBW 15V S DMX N16P12*

BWS309 S	4LED		15V	S			NxxPyy
Family	# of LEDs	CCT / Color	Voltage	Beam Angle	Control	Mounting	Node/Pitch <sup>(1)</sup>
BWS309 S – Flash Pro Small	4LED	27K – 2700K 30K – 3000K 40K – 4000K 50K – 5000K RGB – RGB RGBWW – RGBW(3000K) RGBNW – RGBW(4000K) BL – Blue RD – Red GN – Green AM – Amber tW – Tunable White	15V – 15V DC	S – Symmetric 110°	– On/Off DMX – DMX	-Non track mounting TM -Track mounting	N16P12 – 16 Nodes, 125mm pixel pitch

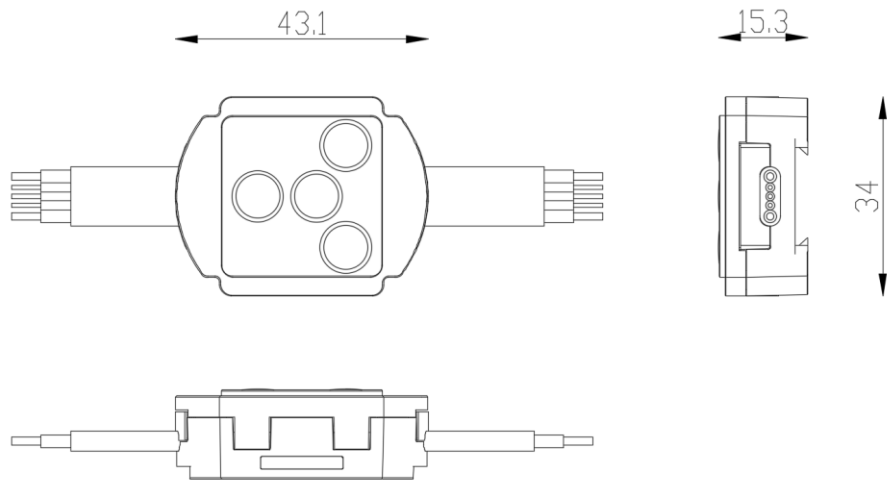
(1) Different number of nodes/pixel pitch available upon request

## Product Data

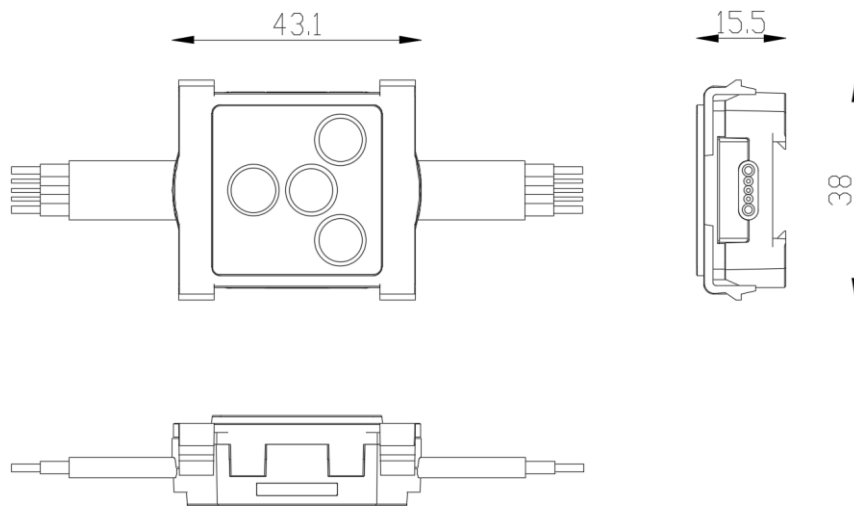
Product Family	Flash Pro - Small (BWS309 S)
Node Dimensions (W x H x D)	43.1 mm x 15.3 mm x 34 mm (Non-track mounted) 43.1 mm x 15.3 mm x 38 mm (Track mounted)
Strand Length	2000 mm
Total Number of Nodes	16 Nodes (8 nodes / meter)
Standard Node Spacing	125mm (center-to-center)
Source	Low power LED
Lumen Maintenance	White: 50,000 hrs L70 at 35°C RGB: 50,000 hrs L50 at 35°C
Housing	PC fireproof plastic housing
Color	Black (RAL9011)
Lenses/Cover	Anti-aging and anti-UV PC Lenses
Mounting Options	Track mounted Non-track mounted
Max Weight	Node: 0.035Kg Strand: 0.7Kg (2m long)
Control Interfaces	On/Off DMX512
Input Voltage	15V DC
IEC Classification	Class III
Power Cable (On/Off)	2 pole flat cable L=15cm, 2x1.0mm <sup>2</sup> with connectors
Power/Signal Cable (DMX)	5 pole flat cable L=15cm, 2x1.0mm <sup>2</sup> + 3x0.3mm <sup>2</sup> with connectors
Connectors	IP67 male/female connectors for through wiring
Number of LEDs	4LED
Standard CCT/Color	2700K, 3000K, 4000K, RGB, RGBW(4000K)
Power Consumption	0.9W (all except RGBW) 1.1W (RGBW)
Beam Angle	110°
Standard CRI	80
White SDCM	4
Colors Wavelengths	R: 620 to 625nm; G: 525 to 530nm; B: 470 to 475nm
Temperature Range	-40°C to 50°C (Operating) -35°C to 50°C (Startup) -40°C to 70°C (Storage)
Protection Rating	IP66, IK06
Certification	CE, CB, CQC (all in progress)
Warranty	3 Years
ETO Options	Custom node quantity Custom node spacing Custom strand lengths Custom profile accessories

Luminaire Dimensions:

Non-track mounted



Track mounted

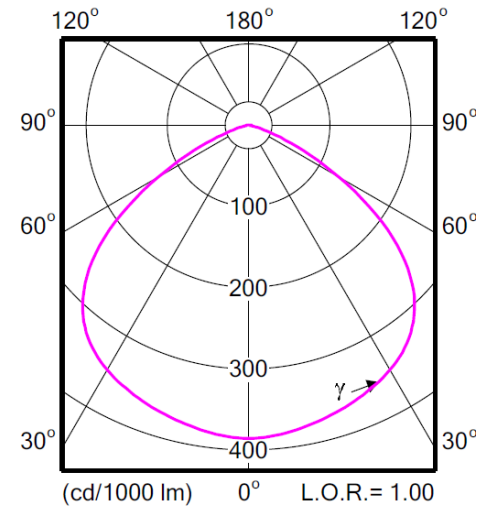


## Optical Covers

### S – 110x110°

#### Features:

The symmetrical beam offers a 110x110° viewing angle for direct view applications that require high uniformity.



Track Mounted



Non-Track Mounted



Customized aluminum profiles are available as per project requirements

### Order Information:

Description
BWS309 S 4LED 27K 15V S N16P12
BWS309 S 4LED 27K 15V S TM N16P12
BWS309 S 4LED 27K 15V S DMX N16P12
BWS309 S 4LED 27K 15V S DMX TM N16P12
BWS309 S 4LED 30K 15V S N16P12
BWS309 S 4LED 30K 15V S TM N16P12
BWS309 S 4LED 30K 15V S DMX N16P12
BWS309 S 4LED 30K 15V S DMX TM N16P12
BWS309 S 4LED 40K 15V S N16P12
BWS309 S 4LED 40K 15V S TM N16P12
BWS309 S 4LED 40K 15V S DMX N16P12
BWS309 S 4LED 40K 15V S DMX TM N16P12
BWS309 S 4LED RGB 15V S DMX N16P12
BWS309 S 4LED RGB 15V S DMX TM N16P12
BWS309 S 4LED RGBNW 15V S DMX N16P12
BWS309 S 4LED RGBNW 15V S DMX TM N16P12

<sup>1</sup>Other options are available upon request

### Accessories

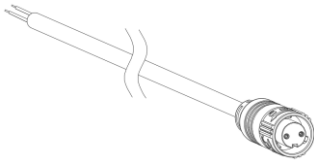
Description
ZXP390 Lead 2P DC cable 2m (10 pcs)
ZXP390 Jump 2P DC cable 2m (10 pcs)
ZXP390 Lead 5P DC/DMX cable 2m (10 pcs)
ZXP390 Jump 5P DC/DMX cable 2m (10 pcs)
ZXP390 Y-connect kit 5P DC/DMX (10 pcs)
ZXP390 Jump 5P DMX connector (10 pcs)
ZXP390 endcap male connector (20 pcs)
ZXP390 endcap female connector (20 pcs)

<sup>1</sup> Different cables lengths are available upon request

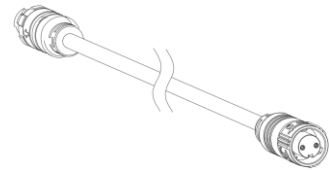
<sup>2</sup> End caps must be used at the end of each run

**Lumen Output Information ( $\pm 10\%$ )**

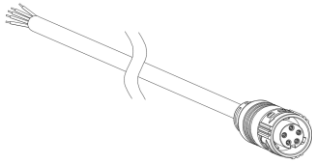
CCT/Color (all channels full on - DMX)	Asymmetric (DMX)	
	Lumen / node	Candela / node
2700K	50	19
3000K	50	19
4000K	53	20
RGB	20	7
RGBNW	26	9



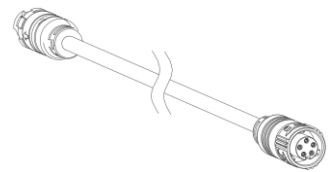
Leader cable 2P DC 2m



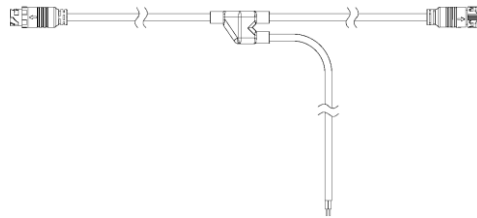
Jumper cable 2P DC 2m



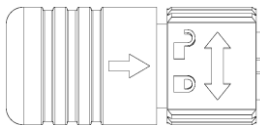
Leader cable 5P DC/DMX 2m



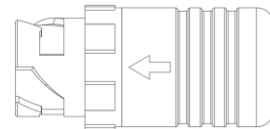
Jumper cable 5P DC/DMX 2m



Y-connector kit 5P DC/DMX



Endcap for male connectors



Endcap for female connectors

