

Flash Pro – Medium (BWS309)

Flash Pro is a surface mounted, exterior-rated and compact sized architectural LED direct view string that is designed for façade and outdoor lighting applications.

The robust mechanical design, easy installation and unique optical lenses make Flash Pro ideal for buildings/media facades, bridges, arenas, theaters, amusement parks and recreational centers.

Available in white, monochromatic colors, RGB, RGBW and tunable white.

Symmetrical and asymmetrical optical distributions with DMX control option to give architects and designers the freedom to explore a wide range of concepts and design with no limitations.



Key Features (BWS309 M)

- Standard: RGBW, RGB, 2700K, 3000K and 4000K
- Optional 5000K, Monochromatic Colors and Tunable White
- Standard pixel pitch of 125mm (center-to-center)
- Asymmetric beam option to provide a higher efficiency and a perfect visual clearance in tall buildings and towers
- Robust Design & IP66 rating for outdoor use
- Through wiring for power and DMX data via IP67 connectors
- Available in DMX512 control interface option

Ordering guide

ex: BWS309 M 6LED RGB 24V A DMX TM LR N16P12

BWS309 M								NxxPyy
Family	# of LEDs	CCT / Color	Voltage	Beam Angle	Control	Mounting	Cable in/out ⁽³⁾	Node/Spacing ⁽⁴⁾
BWS309 M – Flash Pro Medium	3LED ⁽¹⁾ 6LED	27K – 2700K 30K – 3000K 40K – 4000K 50K – 5000K RGB – RGB RGBWW – RGBW(3000K) RGBNW – RGBW(4000K) BL – Blue RD – Red GN – Green AM – Amber tW – Tunable White	15V – 15V DC ⁽²⁾ 24V – 24V DC	S – Symmetric 110° A – Asymmetric 85x110°	– On/Off DMX – DMX	- Non track mounting TM -Track mounting	LR – Left/Right RL – Right/Left TB – Top/Bottom BT – Bottom/Top	N16P12 – 16 Nodes, 125mm pixel pitch spacing

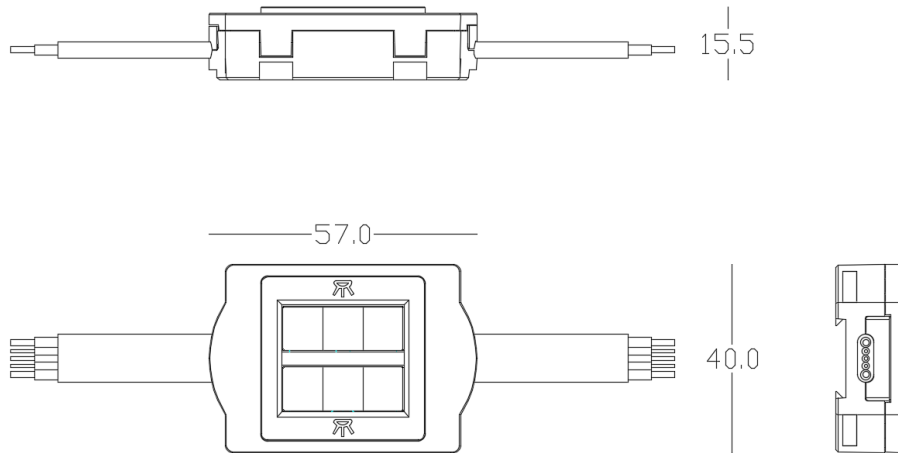
(1) Available only with asymmetrical optic (A) and not available in RGBW or tW
 (2) Available only for 3LED
 (3) Available only for Asymmetric beam angle
 (4) Different number of nodes and spacing options are available upon request

Product Data

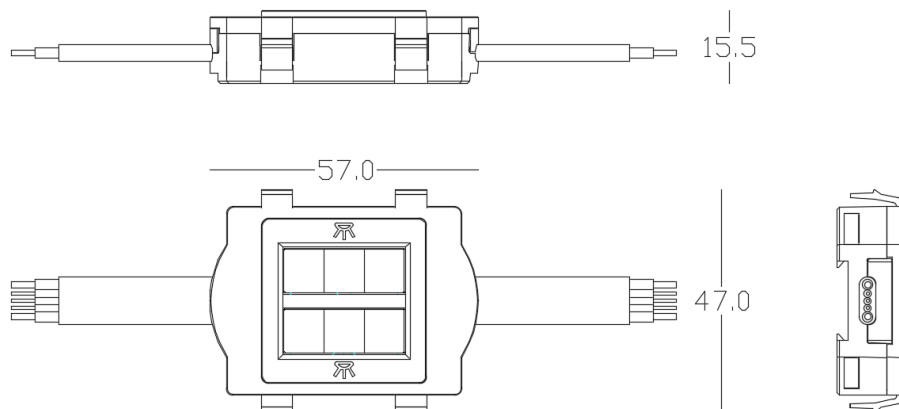
Product Family	Flash Pro - Medium (BWS309 M)	
Dimensions (W x H x D)	Node: 57 mm x 15.5 mm x 40 mm (Non-track mounted) 57 mm x 15.5 mm x 47 mm (Track mounted)	
Strand Length	2000 mm	
Total Number of Nodes	16 Nodes (8 nodes / meter)	
Standard Node Spacing	125mm (center-to-center)	
Source	Low power LED	
Lumen Maintenance	White: 50,000 hrs L70 at 35°C RGB: 50,000 hrs L50 at 35°C	
Housing	PC fireproof plastic housing	
Color	Black RAL9011	
Lenses/Cover	Anti-aging and anti-UV PC Lenses	
Mounting Options	Track mounted Non-track mounted	
Max Weight	Node: 0.045Kg Strand: 0.75Kg (2m long)	
Control Interfaces	On/Off DMX512	
Input Voltage	15V DC (3LED) 24V DC (6LED)	
IEC Classification	Class III	
Power Cable (On/Off)	2 pole flat cable L=15cm, 2x1.0mm ² with connectors	
Power/Signal Cable (DMX)	5 pole flat cable L=15cm, 2x1.0mm ² + 3x0.3mm ² with connectors	
Connectors	IP67 male/female connectors for through wiring	
Standard CCT/Color	2700K, 3000K, 4000K, RGB, RGBW(4000K)	
Number of LEDs	3LED	6LED
Beam Angles	85x110°	110° 85x110°
Max Power Consumption	0.9W	1.5W
Standard CRI	80	
White SDCM	4	
Colors Wavelengths	R: 620 to 625nm; G: 525 to 530nm; B: 470 to 475nm	
Temperature Range	-40°C to 50°C (Operating) -35°C to 50°C (Startup) -40°C to 70°C (Storage)	
Protection Rating	IP66, IK06	
Certification	CE, CB, CQC (all in progress)	
Warranty	3 Years	
ETO Options	Custom node quantity Custom node spacing Custom strand lengths Custom profile accessories	

Luminaire Dimensions:

Non-track mounted



Track mounted

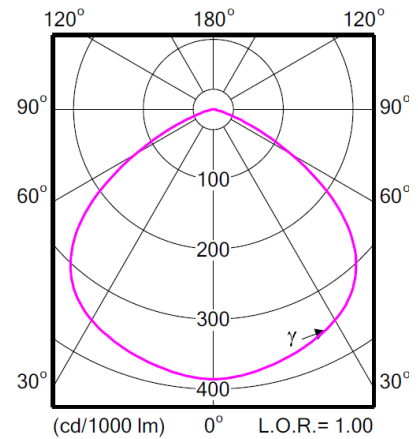


Optical Covers

S – 110x110°

Features:

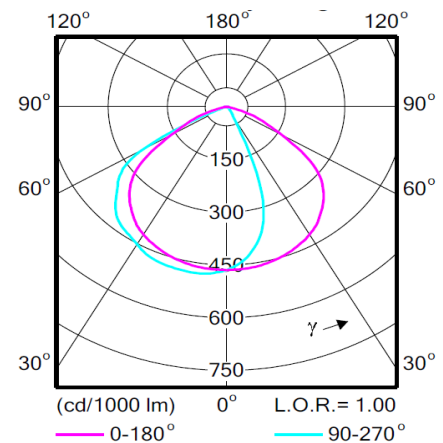
The symmetrical lens offers a 110x110° viewing angle for direct view applications that require high uniformity.



A – 85x110°

Features:

The asymmetrical lens offers a 85x110° viewing angle for sharper and clearer direct view applications where the target viewer is below the installation surface.



Track Mounted



Non-Track Mounted



Customized aluminum profiles are available as per project requirements

Order Information:

Description
BWS309 M 3LED 27K 15V A LR N16P12
BWS309 M 3LED 27K 15V A TM LR N16P12
BWS309 M 3LED 27K 15V A DMX LR N16P12
BWS309 M 3LED 27K 15V A DMX TM LR N16P12
BWS309 M 3LED 27K 15V A TB N16P12
BWS309 M 3LED 27K 15V A TM TB N16P12
BWS309 M 3LED 27K 15V A DMX TB N16P12
BWS309 M 3LED 27K 15V A DMX TM TB N16P12
BWS309 M 3LED 30K 15V A LR N16P12
BWS309 M 3LED 30K 15V A TM LR N16P12
BWS309 M 3LED 30K 15V A DMX LR N16P12
BWS309 M 3LED 30K 15V A DMX TM LR N16P12
BWS309 M 3LED 30K 15V A TB N16P12
BWS309 M 3LED 30K 15V A TM TB N16P12
BWS309 M 3LED 30K 15V A DMX TB N16P12
BWS309 M 3LED 30K 15V A DMX TM TB N16P12
BWS309 M 3LED 40K 15V A LR N16P12
BWS309 M 3LED 40K 15V A TM LR N16P12
BWS309 M 3LED 40K 15V A DMX LR N16P12
BWS309 M 3LED 40K 15V A DMX TM LR N16P12
BWS309 M 3LED 40K 15V A TB N16P12
BWS309 M 3LED 40K 15V A TM TB N16P12
BWS309 M 3LED 40K 15V A DMX TB N16P12
BWS309 M 3LED 40K 15V A DMX TM TB N16P12
BWS309 M 3LED RGB 15V A DMX LR N16P12
BWS309 M 3LED RGB 15V A DMX TM LR N16P12
BWS309 M 3LED RGB 15V A DMX TB N16P12
BWS309 M 3LED RGB 15V A DMX TM TB N16P12

¹Other options are available upon request

Order Information:

Description
BWS309 M 6LED 27K 24V S N16P12
BWS309 M 6LED 27K 24V S TM N16P12
BWS309 M 6LED 27K 24V S DMX N16P12
BWS309 M 6LED 27K 24V S DMX TM N16P12
BWS309 M 6LED 30K 24V S N16P12
BWS309 M 6LED 30K 24V S TM N16P12
BWS309 M 6LED 30K 24V S DMX N16P12
BWS309 M 6LED 30K 24V S DMX TM N16P12
BWS309 M 6LED 40K 24V S N16P12
BWS309 M 6LED 40K 24V S TM N16P12
BWS309 M 6LED 40K 24V S DMX N16P12
BWS309 M 6LED 40K 24V S DMX TM N16P12
BWS309 M 6LED RGB 24V S DMX N16P12
BWS309 M 6LED RGB 24V S DMX TM N16P12
BWS309 M 6LED RGBNW 15V S DMX N16P12
BWS309 M 6LED RGBNW 15V S DMX TM N16P12
BWS309 M 6LED 27K 24V A LR N16P12
BWS309 M 6LED 27K 24V A TM LR N16P12
BWS309 M 6LED 27K 24V A DMX LR N16P12
BWS309 M 6LED 27K 24V A DMX TM LR N16P12
BWS309 M 6LED 27K 24V A TB N16P12
BWS309 M 6LED 27K 24V A TM TB N16P12
BWS309 M 6LED 27K 24V A DMX TB N16P12
BWS309 M 6LED 27K 24V A DMX TM TB N16P12
BWS309 M 6LED 30K 24V A LR N16P12
BWS309 M 6LED 30K 24V A TM LR N16P12
BWS309 M 6LED 30K 24V A DMX LR N16P12
BWS309 M 6LED 30K 24V A DMX TM LR N16P12

¹Other options are available upon request

Order Information:

Description
BWS309 M 6LED 30K 24V A TB N16P12
BWS309 M 6LED 30K 24V A TM TB N16P12
BWS309 M 6LED 30K 24V A DMX TB N16P12
BWS309 M 6LED 30K 24V A DMX TM TB N16P12
BWS309 M 6LED 40K 24V A LR N16P12
BWS309 M 6LED 40K 24V A TM LR N16P12
BWS309 M 6LED 40K 24V A DMX LR N16P12
BWS309 M 6LED 40K 24V A DMX TM LR N16P12
BWS309 M 6LED 40K 24V A TB N16P12
BWS309 M 6LED 40K 24V A TM TB N16P12
BWS309 M 6LED 40K 24V A DMX TB N16P12
BWS309 M 6LED 40K 24V A DMX TM TB N16P12
BWS309 M 6LED RGB 24V A DMX LR N16P12
BWS309 M 6LED RGB 24V A DMX TM LR N16P12
BWS309 M 6LED RGB 24V A DMX TB N16P12
BWS309 M 6LED RGB 24V A DMX TM TB N16P12
BWS309 M 6LED RGBNW 15V A DMX LR N16P12
BWS309 M 6LED RGBNW 15V A DMX TM LR N16P12
BWS309 M 6LED RGBNW 15V A DMX TB N16P12
BWS309 M 6LED RGBNW 15V A DMX TM TB N16P12

¹Other options are available upon request

Order Information:

Accessories

Description
ZXP390 Lead 2P DC cable 2m (10 pcs)
ZXP390 Jump 2P DC cable 2m (10 pcs)
ZXP390 Lead 5P DC/DMX cable 2m (10 pcs)
ZXP390 Jump 5P DC/DMX cable 2m (10 pcs)
ZXP390 Y-connect kit 5P DC/DMX (10 pcs)
ZXP390 Jump 5P DMX connector (10 pcs)
ZXP390 endcap male connector (20 pcs)
ZXP390 endcap female connector (20 pcs)

¹ Different cables lengths are available upon request

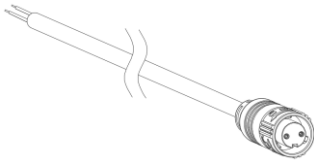
² End caps must be used at the end of each run

Lumen Output Information ($\pm 10\%$)
3LED Version

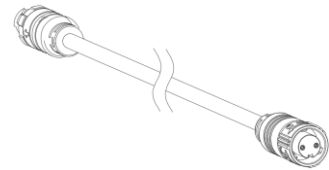
CCT/Color (all channels full on - DMX)	Asymmetric (DMX)	
	Lumen / node	Candela / node
2700K	46	22
3000K	46	22
4000K	49	23
RGB	15	7

6LED Version

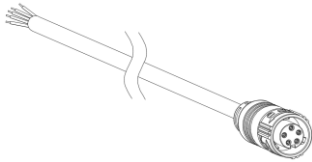
CCT/Color (all channels full on - DMX)	Symmetric (DMX)		Asymmetric (DMX)	
	Lumen / node	Candela / node	Lumen / node	Candela / node
2700K	76	31	77	37
3000K	76	31	77	37
4000K	81	33	82	39
RGB	48	18	41	18
RGBNW	41	17	40	19



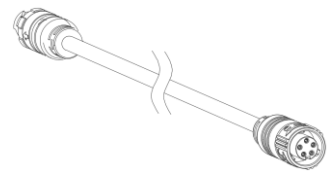
Leader cable 2P DC 2m



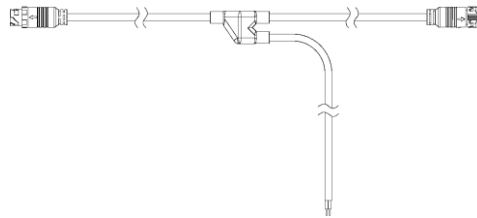
Jumper cable 2P DC 2m



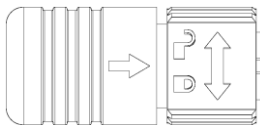
Leader cable 5P DC/DMX 2m



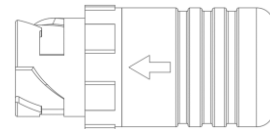
Jumper cable 5P DC/DMX 2m



Y-connector kit 5P DC/DMX



Endcap for male connectors



Endcap for female connectors

