

BurstPro Small

BurstPro is a circular shaped, exterior-rated and cost-effective architectural LED floodlight that is designed for façade, landscape and outdoor flood lighting applications. The robust mechanical design and high-efficiency optical design make it ideal for illuminating multi-story exterior facades, bridges, landmarks and monuments. Available in white, monochromatic colors, RGB, RGBW and tunable white. Six different spread lenses ranging from narrow spot to wide flood and DMX512/RDM control option available to give architects and designers the freedom to explore a wide range of concepts and design with no limitations.



Key Features

- Standard: RGBW, RGB, 2700K, 3000K and 4000K
- Optional: 5000K, Monochromatic Colors and Tunable White
- Wide Range of Beam Angles from Narrow Spot to Wide Flood
- 1 foot-candle at up to 75m (4000K, 3.5° lens)
- Robust Design & IP66 rating for outdoor use
- Adjustable $\pm 90^\circ$ tilting angle
- Available in DMX512/RDM control interface option

Ordering guide

ex: *BVP329 S 12LED 40K 220V 30 DMX*

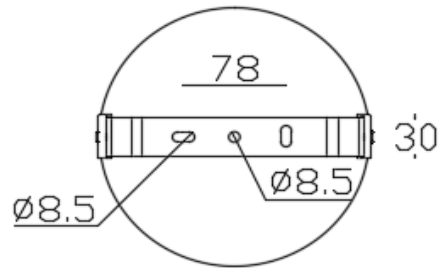
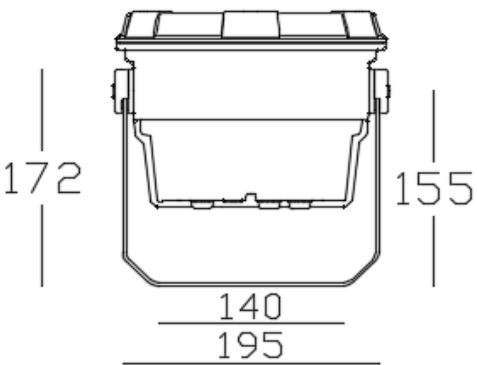
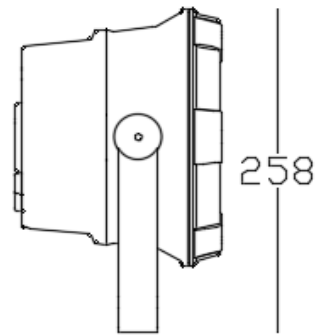
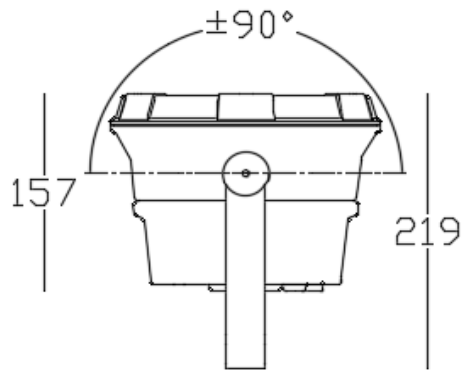
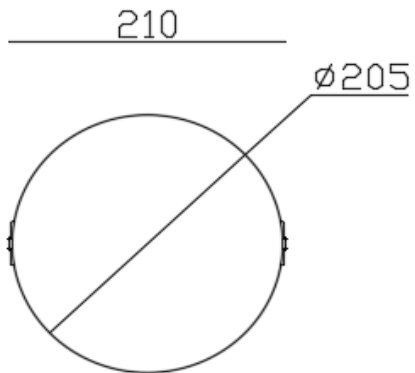
BVP329		S		220V		
Family	Size	# of LEDs	CCT / Color	Voltage	Beam Angles	Control ⁽⁵⁾
BVP329 – BurstPro	S - Small	6LED ⁽¹⁾ 12LED 18LED	27K – 2700K 30K – 3000K 40K – 4000K 50K – 5000K RGB – RGB ⁽²⁾ tW – Tunable White ⁽²⁾ RGBWW – RGBW(3000K) ⁽²⁾ RGBNW – RGBW(4000K) ⁽²⁾ BL – Blue RD – Red GN – Green AM – Amber	220V – 220-240V AC 24V – 24Vdc ⁽³⁾	3 – 3.5x3.5° ⁽⁴⁾ 8 – 8°x8° 15 – 15°x15° 30 – 30°x30° 40 – 40°x40° 60 – 60°x60°	– On/Off DMX – DMX/RDM

- (1) 6LED is available only in 3.5° beam angle
 (2) Not available in for 6LED / Available only with DMX control
 (3) 24Vdc is available upon request for power \leq 36W
 (4) Available only for 6LED
 (5) RGB, tW and RGBW are available only in DMX control

Product Data

Product Family	BurstPro small (BVP329 S)		
Dimensions (W x H x D)	258 mm x 210 mm 157 mm (with bracket) Ø205 mm x 157 mm (without bracket)		
Source	High power LED		
Lumen Maintenance	White: 50,000 hrs L70 at 35°C RGB: 50,000 hrs L50 at 35°C		
Housing	Die-cast aluminum		
Finishing	Electrostatically applied polyester powder coating		
Housing Color	Dark Grey (RAL7012)		
Bracket	Cold-rolled steel		
Adjustability	Tilting angle ±90°		
Lenses	Anti-aging and anti-UV high optical efficiency PMMA lenses		
Gasket	Silicon		
Cover	Clear tempered glass		
Max Weight	4.7kg		
Control Interfaces	On/Off DMX512/RDM		
Input Voltage	220-240 VAC, 50/60Hz		
Inrush Current	Max 40A/450µs (cold start 230Vac/50Hz measured at 50% Ipeak)		
Maximum Number of Luminaires on 16A MCB	6 units (Type B) 11 units (Type C)		
Total Harmonic Distortion	Max 10% (230Vac/50Hz, full load)		
IEC Classification	Class I		
Power Cable	3 pole round cable L=50cm, 3x1.0mm ² with flying wires		
Signal Cable	4 pole round cable L=50cm, 4x0.5mm ² (DMX versions only)		
Cables Connectors	IP67 male/female connectors for DMX through wiring (DMX versions only)		
Max Number of LEDs	6LED	12LED	18LED
Beam Angles	3.5°	8°, 15°, 30°, 40°, 60°	
Max Power Consumption	15W	27W	36W
Standard CCT	2700K, 3000K, 4000K		
Standard Colors	-	RGB, RGBNW	
Standard CRI	80		
White SDCM	4		
Colors Wavelengths	R: 620 to 625nm; G: 525 to 530nm; B: 470 to 475nm		
Temperature Range	-40°C to 50°C (Operating) -35°C to 50°C (Startup) -40°C to 70°C (Storage)		
Protection Rating	IP66, IK06		
Certifications	CE, CB, CQC, RoHS		
Warranty	3 Years		

Luminaire Dimensions:



Polar Candela Distribution Curves:

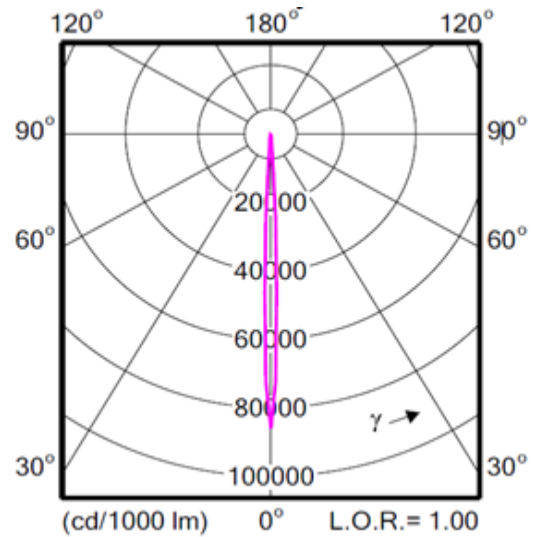
3.5x3.5° Beam Angle

Features:

The 3.5x3.5° beam angle delivers a very narrow beam with more lumens where you want them.

Available only for 6LED version

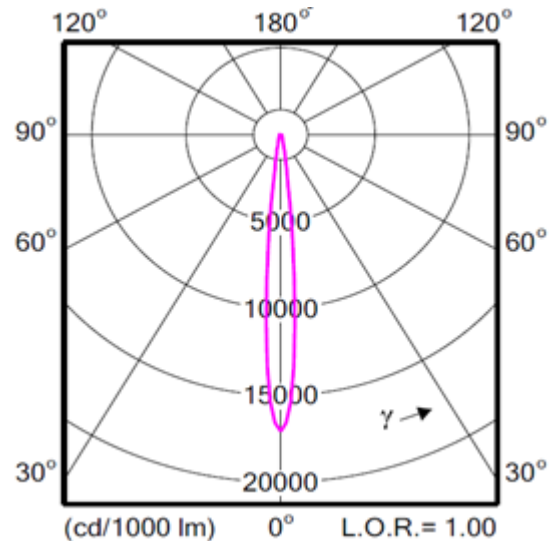
Not available for RGB or RGBW



8x8° Beam Angle

Features:

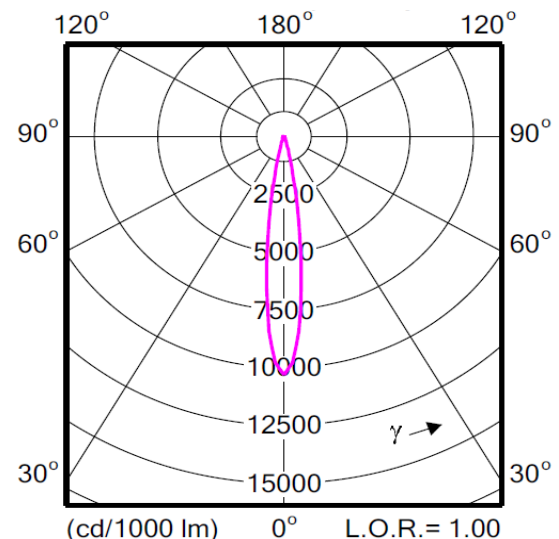
The 8x8° beam angle offers a narrow beam that can be used to highlight a small area in a building or making an ornament stands out.



15x15° Beam Angle

Features:

The 15x15° beam angle offers a medium that can be used to highlight a small to medium area in a building or making an ornament stands out.

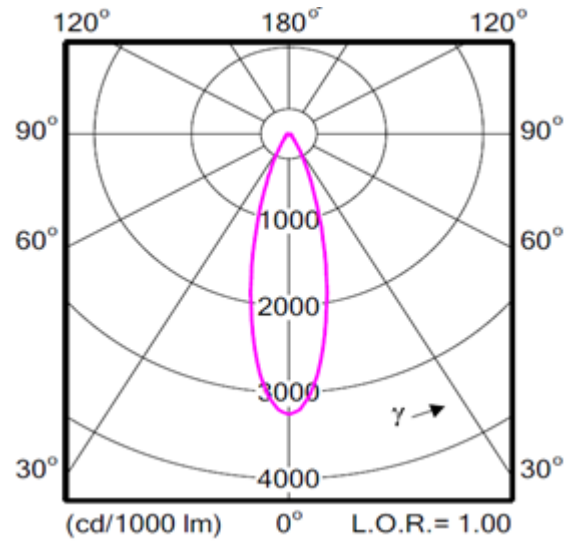


Polar Candela Distribution Curves:

30x30° Beam Angle

Features:

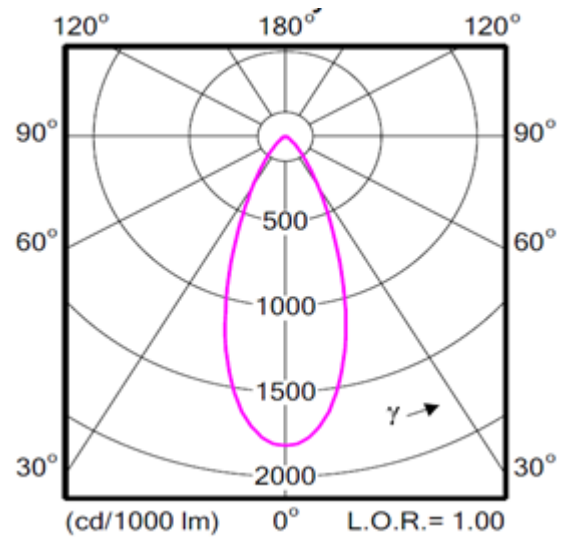
The 30x30° beam angle offers a wide beam that can be used for highlighting medium to large areas in a building or used for general façade lighting.



40x40° Beam Angle

Features:

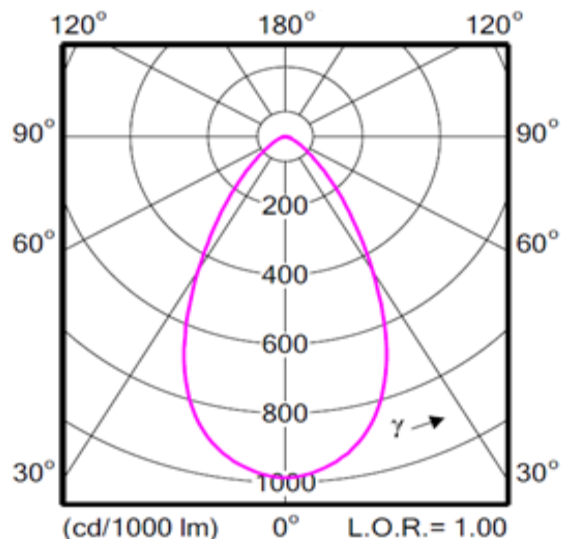
The 40x40° beam angle offers a wide beam that can be used for highlighting large and wide areas in a building or used for general façade lighting.



60x60° Beam Angle

Features:

The 60x60° beam angle offers a wide flood distribution that can be used to highlight larger and wider areas in a building or for general façade lighting.



Order Information:

Order Code
BVP329 S 18LED 27K 220V 8
BVP329 S 18LED 27K 220V 8 DMX
BVP329 S 18LED 30K 220V 8
BVP329 S 18LED 30K 220V 8 DMX
BVP329 S 18LED 40K 220V 8
BVP329 S 18LED 40K 220V 8 DMX
BVP329 S 18LED RGB 220V 8 DMX
BVP329 S 18LED RGBW40K 220V 8 DMX
BVP329 S 18LED 27K 220V 15
BVP329 S 18LED 27K 220V 15 DMX
BVP329 S 18LED 30K 220V 15
BVP329 S 18LED 30K 220V 15 DMX
BVP329 S 18LED 40K 220V 15
BVP329 S 18LED 40K 220V 15 DMX
BVP329 S 18LED RGB 220V 15 DMX
BVP329 S 18LED RGBW40K 220V 15 DMX
BVP329 S 18LED 27K 220V 30
BVP329 S 18LED 27K 220V 30 DMX
BVP329 S 18LED 30K 220V 30
BVP329 S 18LED 30K 220V 30 DMX
BVP329 S 18LED 40K 220V 30
BVP329 S 18LED 40K 220V 30 DMX
BVP329 S 18LED RGB 220V 30 DMX
BVP329 S 18LED RGBW40K 220V 30 DMX
BVP329 S 18LED 27K 220V 40
BVP329 S 18LED 27K 220V 40 DMX

¹Other options are available upon request

Order Information:

Order Code
BVP329 S 18LED 30K 220V 40
BVP329 S 18LED 30K 220V 40 DMX
BVP329 S 18LED 40K 220V 40
BVP329 S 18LED 40K 220V 40 DMX
BVP329 S 18LED RGB 220V 40 DMX
BVP329 S 18LED RGBW40K 220V 40 DMX

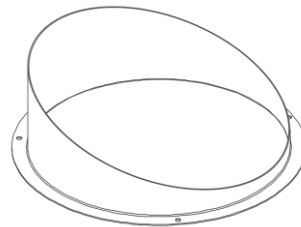
¹Other options are available upon request

Accessories:

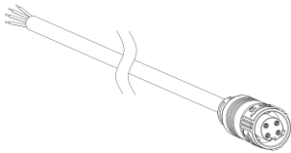
Description
BVP329 S glare shield(12 pcs)
ZXP390 Lead 4P DMX cable 2m (10 pcs)
ZXP390 Jump 4P DMX cable 2m (10 pcs)
ZXP390 endcap male connector (20 pcs)
ZXP390 endcap female connector (20 pcs)

¹ Different cables lengths are available upon request

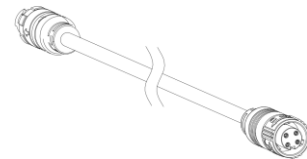
² End caps must be used at the end of each run



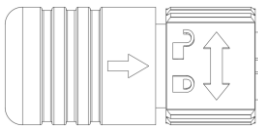
Glare Shield



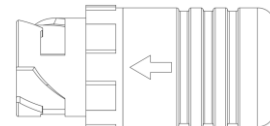
Leader cable 4P DMX 2m



Jumper cable 4P DMX 2m



End cap for male connectors



End cap for female connectors

Rated System Lumen Output ($\pm 10\%$):

6LED Version

CCT/Color (All channels On)	3.5°	
	On/Off	DMX
2700K	750	735
3000K	807	791
4000K	919	900
5000K	1,049	1,028
Blue	302	296
Red	473	464
Green	858	841
Amber	473	464

12LED Version

CCT/Color (All channels On)	8°		15°		30°		40°		60°	
	On/Off	DMX	On/Off	DMX	On/Off	DMX	On/Off	DMX	On/Off	DMX
2700K	1,424	1,396	1,523	1,493	1,424	1,396	1,424	1,396	1,346	1,319
3000K	1,533	1,503	1,640	1,607	1,533	1,503	1,533	1,503	1,449	1,420
4000K	1,746	1,711	1,867	1,830	1,746	1,711	1,746	1,711	1,650	1,617
5000K	1,993	1,953	2,131	2,089	1,993	1,953	1,993	1,953	1,883	1,846
RGB	–	1,081	–	1,156	–	1,081	–	1,081	–	1,021
RGBNW	–	1,238	–	1,324	–	1,238	–	1,238	–	1,170
RGBWW	–	1,188	–	1,270	–	1,188	–	1,188	–	1,122
Blue	574	563	614	602	574	563	574	563	543	532
Red	900	882	962	943	900	882	900	882	1,037	1,016
Green	1,631	1,599	1,744	1,709	1,631	1,599	1,631	1,599	1,541	1,511
Amber	900	882	962	943	900	882	900	882	1,037	1,016
Tunable White	–	1,610	–	1,721	–	1,610	–	1,610	–	1,521

Rated System Lumen Output ($\pm 10\%$):

18LED Version

CCT/Color (All channels On)	8°		15°		30°		40°		60°	
	On/Off	DMX	On/Off	DMX	On/Off	DMX	On/Off	DMX	On/Off	DMX
2700K	1,774	1,738	1,899	1,861	1,774	1,738	1,774	1,738	1,676	1,643
3000K	1,910	1,872	2,045	2,004	1,910	1,872	1,910	1,872	1,805	1,769
4000K	2,174	2,131	2,328	2,281	2,174	2,131	2,174	2,131	2,055	2,014
5000K	2,482	2,432	2,657	2,604	2,482	2,432	2,482	2,432	2,345	2,299
RGB	–	1,346	–	1,441	–	1,346	–	1,346	–	1,272
RGBNW	–	1,542	–	1,651	–	1,542	–	1,542	–	1,457
RGBWW	–	1,497	–	1,583	–	1,497	–	1,497	–	1,398
Blue	715	701	766	751	715	701	715	701	676	662
Red	1,120	1,098	1,199	1,175	1,120	1,098	1,120	1,098	1,291	1,265
Green	2031	1,991	2,175	2,131	2,031	1,991	2,031	1,991	1,920	1,881
Amber	1,120	1,098	1,199	1,175	1,119	1,096	1,119	1,096	1,291	1,265
Tunable White	–	2,005	–	2,146	–	2,005	–	2,005	–	1,895

