

BurstPro Large

BurstPro is a circular shaped, exterior-rated and cost-effective architectural LED floodlight that is designed for façade, landscape and outdoor flood lighting applications.

The robust mechanical design and high-efficient optical design make it ideal for illuminating multi-story exterior facades, bridges, landmarks and monuments.

Available in white, monochromatic colors, RGB, RGBW and tunable white.

Six different spread lenses ranging from narrow spot to wide flood and DMX512/RDM control option available to give architects and designers the freedom to explore a wide range of concepts and design with no limitations.



Key Features

- Standard: RGBW, RGB, 2700K, 3000K and 4000K
- Optional 5000K, Monochromatic Colors and Tunable White
- Wide Range of Beam Angles from Narrow Spot to Wide Flood
- 1 foot-candle at up to 175m (4000K, 3.5° lens)
- Robust Design & IP66 rated for outdoor use
- Adjustable $\pm 90^\circ$ tilting angle
- Available in DMX512/RDM control interface option

Ordering guide

ex: *BVP329 L 72LED RGB 220V 15 DMX*

BVP329	L			220V		
<u>Family</u>	<u>Size</u>	<u># of LEDs</u>	<u>CCT / Color</u>	<u>Voltage</u>	<u>Beam Angles</u>	<u>Control</u> ⁽³⁾
BVP329 – BurstPro	L - Large	30LED ⁽¹⁾ 54LED 72LED	27K – 2700K 30K – 3000K 40K – 4000K 50K – 5000K RGB – RGB tW – Tunable White RGBWW – RGBW(3000K) ⁽²⁾ RGBNW – RGBW(4000K) ⁽²⁾ BL – Blue RD – Red GN – Green AM – Amber	220V – 220- 240V AC	3 – 3.5x3.5° ⁽²⁾ 8 – 8°x8° 15 – 15°x15° 30 – 30°x30° 40 – 40°x40° 60 – 60°x60°	– On/Off DMX – DMX/RDM

(1) 30LED is available only in 3.5° beam angle

(2) Available only for 30LED

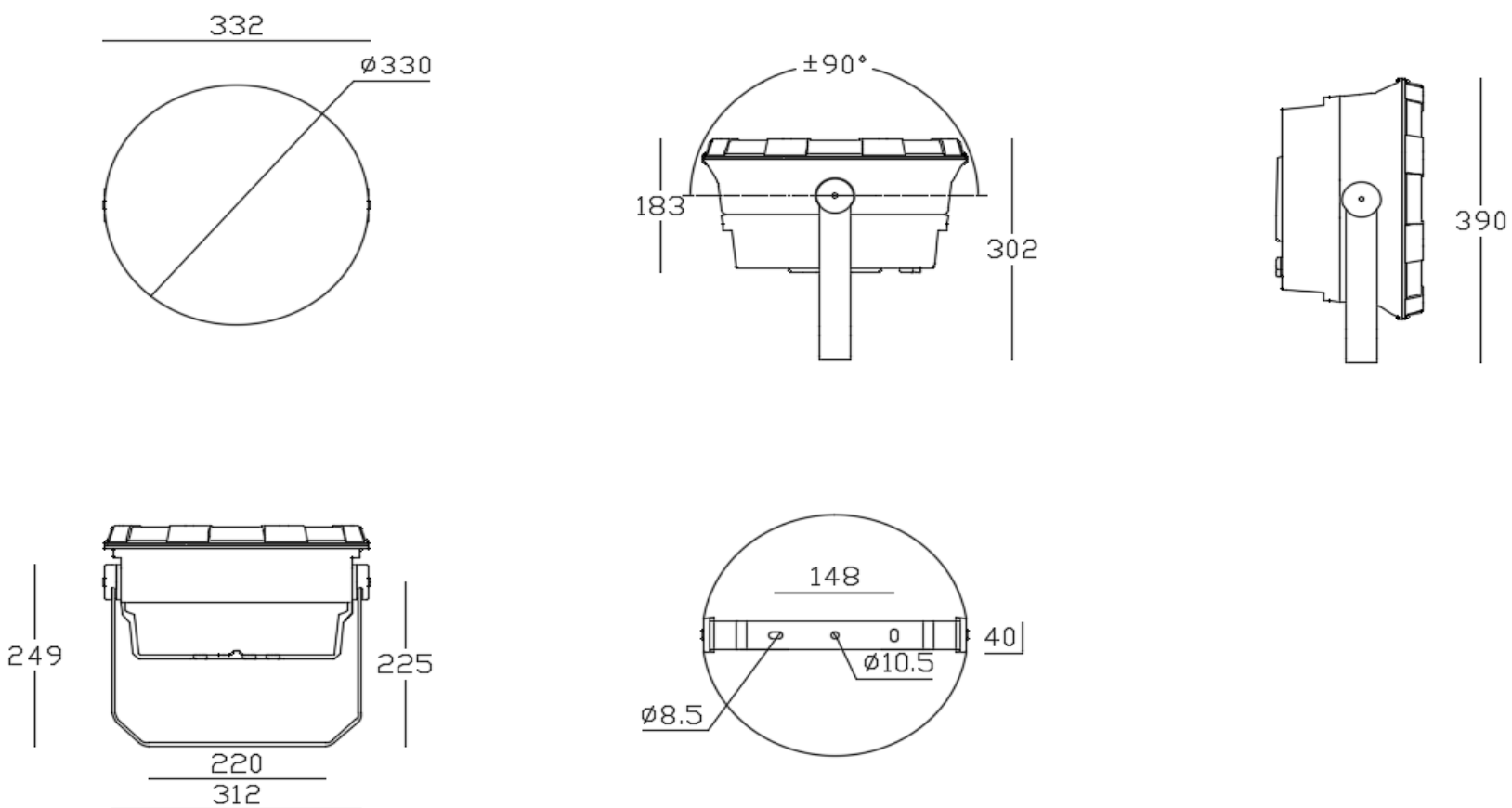
(3) RGB, tW and RGBW are available only with DMX control

Product Data

Product Family	BurstPro large (BVP329 L)		
Dimensions (W x H x D)	390 mm x 332 mm x 183 mm (with bracket) Ø330 mm x 183 mm (without bracket)		
Source	High power LED		
Lumen Maintenance	White: 50,000 hrs L70 at 35°C RGB: 50,000 hrs L50 at 35°C		
Housing	Die-cast aluminum		
Finishing	Electrostatically applied polyester powder coating		
Color	Dark Grey RAL7012		
Bracket	Cold-rolled steel		
Adjustability	Tilting angle ±90°		
Lenses	Anti-aging and anti-UV high optical efficiency PMMA lenses		
Gasket	Silicon		
Cover	Clear tempered glass		
Max Weight	11kg		
Control Interfaces	On/Off DMX512/RDM		
Input Voltage	220-240 VAC, 50/60Hz		
Inrush Current	Max 70A/650µs (cold start 230Vac/50Hz measured at 50% Ipeak)		
Maximum Number of Luminaires on 16A MCB	3 unit (Type B) 6 units (Type C)		
Total Harmonic Distortion	Max 10% (230Vac/50Hz, full load)		
IEC Classification	Class I		
Power Cable	3 pole round cable L=50cm, 3x1.0mm ² with flying wires		
Signal Cable	4 pole round cable L=50cm, 4x0.50mm (DMX versions only)		
Cables Connectors	IP67 Male/Female connectors for DMX through wiring (DMX versions only)		
Number of LEDs	30LED	54LED	72LED
Beam Angles	3.5°	8°, 15°, 30°, 40°, 60°	
Max Power Consumption	75W	110W	150W
Standard CCT	2700K, 3000K, 4000K		
Standard Colors	RGB, RGBW(4000K)		
Standard CRI	80		
White SDCM	4		
Colors Wavelengths	R: 620 to 625nm; G: 525 to 530nm; B: 470 to 475nm		
Temperature Range	-40°C to 50°C (Operating) -35°C to 50°C (Startup) -40°C to 70°C (Storage)		
Protection Rating	IP66, IK06		
Certifications	CE, CB, CQC, RoHS		
Warranty	3 Years		

Rev. 20190410

Luminaire Dimensions:



Polar Candela Distribution Curves:

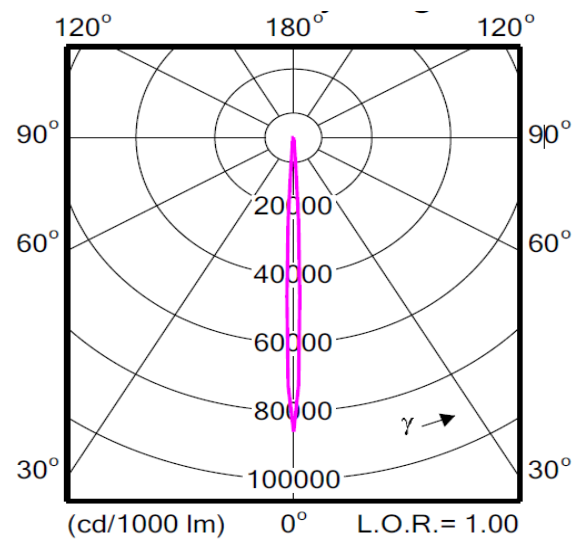
3.5x3.5° Beam Angle

Features:

The 3.5x3.5° beam angle delivers a very narrow beam with more lumens where you want them.

Available only for 6LED version

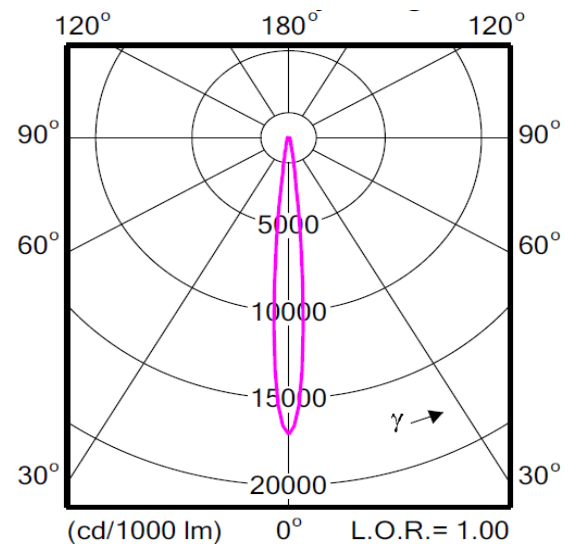
Not available for RGB or RGBW



8x8° Beam Angle

Features:

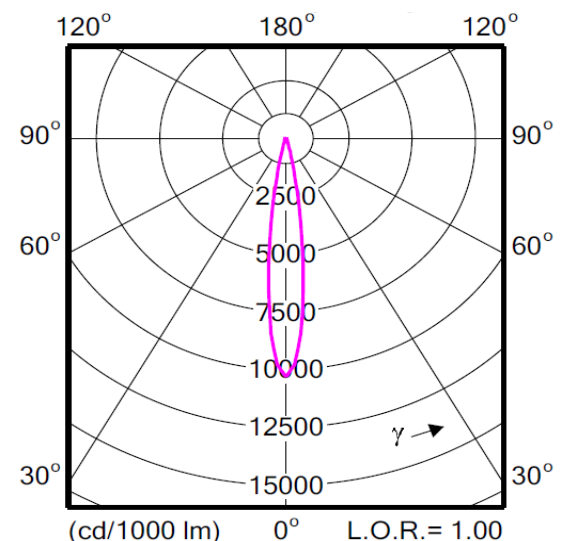
The 8x8° beam angle offers a narrow beam that can be used to highlight a small area in a building or making an ornament stands out.



15x15° Beam Angle

Features:

The 15x15° beam angle offers a medium that can be used to highlight a small to medium area in a building or making an ornament stands out.

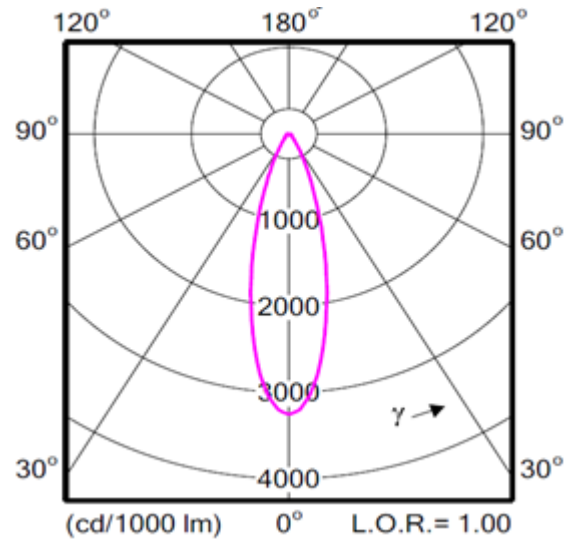


Polar Candela Distribution Curves:

30x30° Beam Angle

Features:

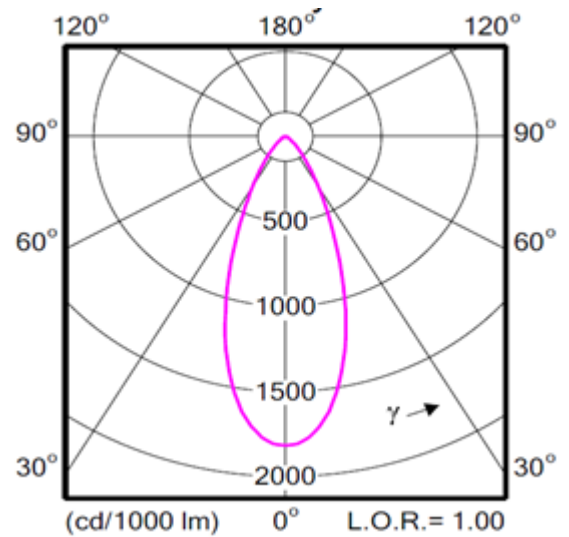
The 30x30° beam angle offers a wide beam that can be used for highlighting medium to large areas in a building or used for general façade lighting.



40x40° Beam Angle

Features:

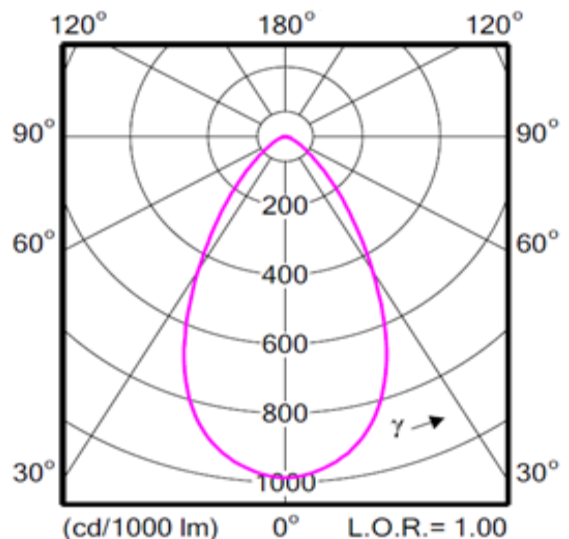
The 40x40° beam angle offers a wide beam that can be used for highlighting large and wide areas in a building or used for general façade lighting.



60x60° Beam Angle

Features:

The 60x60° beam angle offers a wide flood distribution that can be used to highlight larger and wider areas in a building or for general façade lighting.



Order Information:

Description
BVP329 L 54LED 27K 220V 8
BVP329 L 54LED 27K 220V 8 DMX
BVP329 L 54LED 30K 220V 8
BVP329 L 54LED 30K 220V 8 DMX
BVP329 L 54LED 40K 220V 8
BVP329 L 54LED 40K 220V 8 DMX
BVP329 L 54LED RGB 220V 8 DMX
BVP329 L 54LED RGBNW 220V 8 DMX
BVP329 L 72LED 27K 220V 8
BVP329 L 72LED 27K 220V 8 DMX
BVP329 L 72LED 30K 220V 8
BVP329 L 72LED 30K 220V 8 DMX
BVP329 L 72LED 40K 220V 8
BVP329 L 72LED 40K 220V 8 DMX
BVP329 L 72LED RGB 220V 8 DMX
BVP329 L 72LED RGBNW 220V 8 DMX
BVP329 L 54LED 27K 220V 15
BVP329 L 54LED 27K 220V 15 DMX
BVP329 L 54LED 30K 220V 15
BVP329 L 54LED 30K 220V 15 DMX
BVP329 L 54LED 40K 220V 15
BVP329 L 54LED 40K 220V 15 DMX
BVP329 L 54LED RGB 220V 15 DMX
BVP329 L 54LED RGBNW 220V 15 DMX
BVP329 L 72LED 27K 220V 15
BVP329 L 72LED 27K 220V 15 DMX

¹Other options are available upon request

Order Information:

Description
BVP329 L 72LED 30K 220V 15
BVP329 L 72LED 30K 220V 15 DMX
BVP329 L 72LED 40K 220V 15
BVP329 L 72LED 40K 220V 15 DMX
BVP329 L 72LED RGB 220V 15 DMX
BVP329 L 72LED RGBNW 220V 15 DMX
BVP329 L 54LED 27K 220V 30
BVP329 L 54LED 27K 220V 30 DMX
BVP329 L 54LED 30K 220V 30
BVP329 L 54LED 30K 220V 30 DMX
BVP329 L 54LED 40K 220V 30
BVP329 L 54LED 40K 220V 30 DMX
BVP329 L 54LED RGB 220V 30 DMX
BVP329 L 54LED RGBNW 220V 30 DMX
BVP329 L 72LED 27K 220V 30
BVP329 L 72LED 27K 220V 30 DMX
BVP329 L 72LED 30K 220V 30
BVP329 L 72LED 30K 220V 30 DMX
BVP329 L 72LED 40K 220V 30
BVP329 L 72LED 40K 220V 30 DMX
BVP329 L 72LED RGB 220V 30 DMX
BVP329 L 72LED RGBNW 220V 30 DMX
BVP329 L 54LED 27K 220V 40
BVP329 L 54LED 27K 220V 40 DMX
BVP329 L 54LED 30K 220V 40
BVP329 L 54LED 30K 220V 40 DMX

¹Other options are available upon request

Order Information:

Description
BVP329 L 54LED 40K 220V 40
BVP329 L 54LED 40K 220V 40 DMX
BVP329 L 54LED RGB 220V 40 DMX
BVP329 L 54LED RGBNW 220V 40 DMX
BVP329 L 72LED 27K 220V 40
BVP329 L 72LED 27K 220V 40 DMX
BVP329 L 72LED 30K 220V 40
BVP329 L 72LED 30K 220V 40 DMX
BVP329 L 72LED 40K 220V 40
BVP329 L 72LED 40K 220V 40 DMX
BVP329 L 72LED RGB 220V 40 DMX
BVP329 L 72LED RGBNW 220V 40 DMX

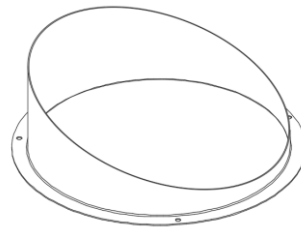
¹Other options are available upon request

Accessories:

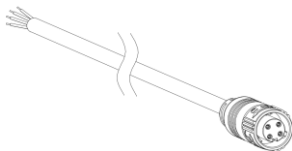
Description
BVP329 L glare shield(6 pcs)
ZXP390 Lead 4P DMX cable 2m (10 pcs)
ZXP390 Jump 4P DMX cable 2m (10 pcs)
ZXP390 endcap male connector (20 pcs)
ZXP390 endcap female connector (20 pcs)

¹ Different cables lengths are available upon request

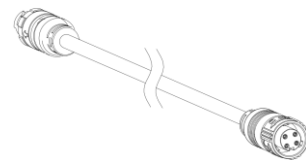
² End caps must be used at the end of each run



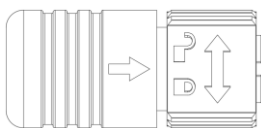
Glare Shield



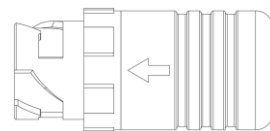
Leader cable 4P DMX 2m



Jumper cable 4P DMX 2m



End cap for male connectors



End cap for female connectors

Rated System Lumen Output ($\pm 10\%$):

30LED Version

CCT/Color (All channels On)	3.5°	
	On/Off	DMX
2700K	4092	4011
3000K	4406	4318
4000K	5016	4916
5000K	5726	5611
RGB	–	3105
RGBNW	–	3558
RGBWW	–	3412
Blue	1650	1617
Red	2269	2,224
Green	4686	4593
Amber	2269	2,224
Tunable White	–	4625

54LED Version

CCT/Color (All channels On)	8°		15°		30°		40°		60°	
	On/Off	DMX	On/Off	DMX	On/Off	DMX	On/Off	DMX	On/Off	DMX
2700K	6498	6368	6951	6812	6498	6368	6498	6368	6140	6017
3000K	6995	6856	7483	7334	6995	6856	6995	6856	6611	6479
4000K	7965	7806	8520	8350	7965	7806	7965	7806	7527	7376
5000K	9091	8910	9725	9531	9091	8910	9091	8910	8591	8420
RGB	–	4930	–	5274	–	4930	–	4930	–	4659
RGBNW	–	5649	–	6043	–	5649	–	5649	–	5338
RGBWW	–	5418	–	5795	–	5418	–	5418	–	5120
Blue	2620	2568	2803	2747	2620	2568	2620	2568	2476	2426
Red	4094	4012	4379	4291	4094	4012	4094	4012	3868	3791
Green	7441	7292	7960	7801	7441	7292	7441	7292	7032	6891
Amber	4094	4012	4379	4291	4094	4012	4094	4012	3868	3791
Tunable White	–	7343	–	7856	–	7343	–	7343	–	6940

Rev. 20190318

Rated System Lumen Output ($\pm 10\%$):

72LED Version

CCT/Color (All channels On)	8°		15°		30°		40°		60°	
	On/Off	DMX	On/Off	DMX	On/Off	DMX	On/Off	DMX	On/Off	DMX
2700K	8252	8087	8831	8654	8252	8087	8252	8087	7798	7642
3000K	8884	8707	9507	9317	8884	8707	8884	8707	8396	8228
4000K	10116	9913	10825	10608	10116	9913	10116	9913	9559	9368
5000K	11546	11315	12356	12109	11546	11315	11546	11315	10911	10693
RGB	–	6261	–	6700	–	6261	–	6261	–	5917
RGBNW	–	7174	–	7677	–	7174	–	7174	–	6780
RGBWW	–	6881	–	7363	–	6881	–	6881	–	6502
Blue	3301	3235	3532	3462	3301	3235	3301	3235	3119	3057
Red	5095	5199	5563	5452	5199	5095	5199	5095	4913	4814
Green	9450	9261	10113	9910	9450	9261	9450	9261	8930	8752
Amber	5095	5199	5563	5452	5199	5095	5199	5095	4913	4814
Tunable White	–	9326	–	9980	–	9326	–	9326	–	8813

