

BurstPro Compact

BurstPro is a circular shaped, exterior-rated and cost-effective architectural LED floodlight that is designed for façade, landscape and outdoor flood lighting applications.

The robust mechanical design and high-efficient optical design make it ideal for illuminating multi-story exterior facades, bridges, landmarks and monuments.

Available in white, monochromatic colors, RGB, RGBW and tunable white.

Six different spread lenses ranging from narrow spot to wide flood and DMX512/RDM control option available to give architects and designers the freedom to explore a wide range of concepts and design with no limitations.



Key Features

- Standard: RGBW, RGB, 2700K, 3000K and 4000K
- Optional: 5000K, Monochromatic Colors and Tunable White
- Wide Range of Beam Angles from Narrow Spot to Wide Flood
- 1 foot-candle at up to 70m (4000K, 3.5° lens)
- Robust Design & IP66 rating for outdoor use
- Adjustable $\pm 90^\circ$ tilting angle
- Available in DMX512/RDM control interface option
- Available earth mounting spike accessory

Ordering guide

ex: *BVP329 C 9LED 40K 220V 30 DMX*

BVP329	C			220V		
<u>Family</u>	<u>Size</u>	<u># of LEDs</u>	<u>CCT / Color</u>	<u>Voltage</u>	<u>Beam Angles</u>	<u>Control</u> ⁽⁵⁾
BVP329 – BurstPro	C – Compact	5LED ⁽¹⁾ 9LED ⁽²⁾ 12LED	27K – 2700K 30K – 3000K 40K – 4000K 50K – 5000K RGB – RGB ⁽³⁾ tW – Tunable White ⁽³⁾ RGBWW – RGBW(3000K) ⁽³⁾ RGBNW – RGBW(4000K) ⁽³⁾ BL – Blue RD – Red GN – Green AM – Amber	220V – 220- 240V AC	3 – 3.5x3.5° ⁽⁴⁾ 8 – 8°x8° 15 – 15°x15° 30 – 30°x30° 40 – 40°x40° 60 – 60°x60°	– On/Off DMX – DMX/RDM

(1) 5LED is available only in 3.5° beam angle

(2) RGBW is 8LED

(3) Not available in for 5LED / Available only with DMX control

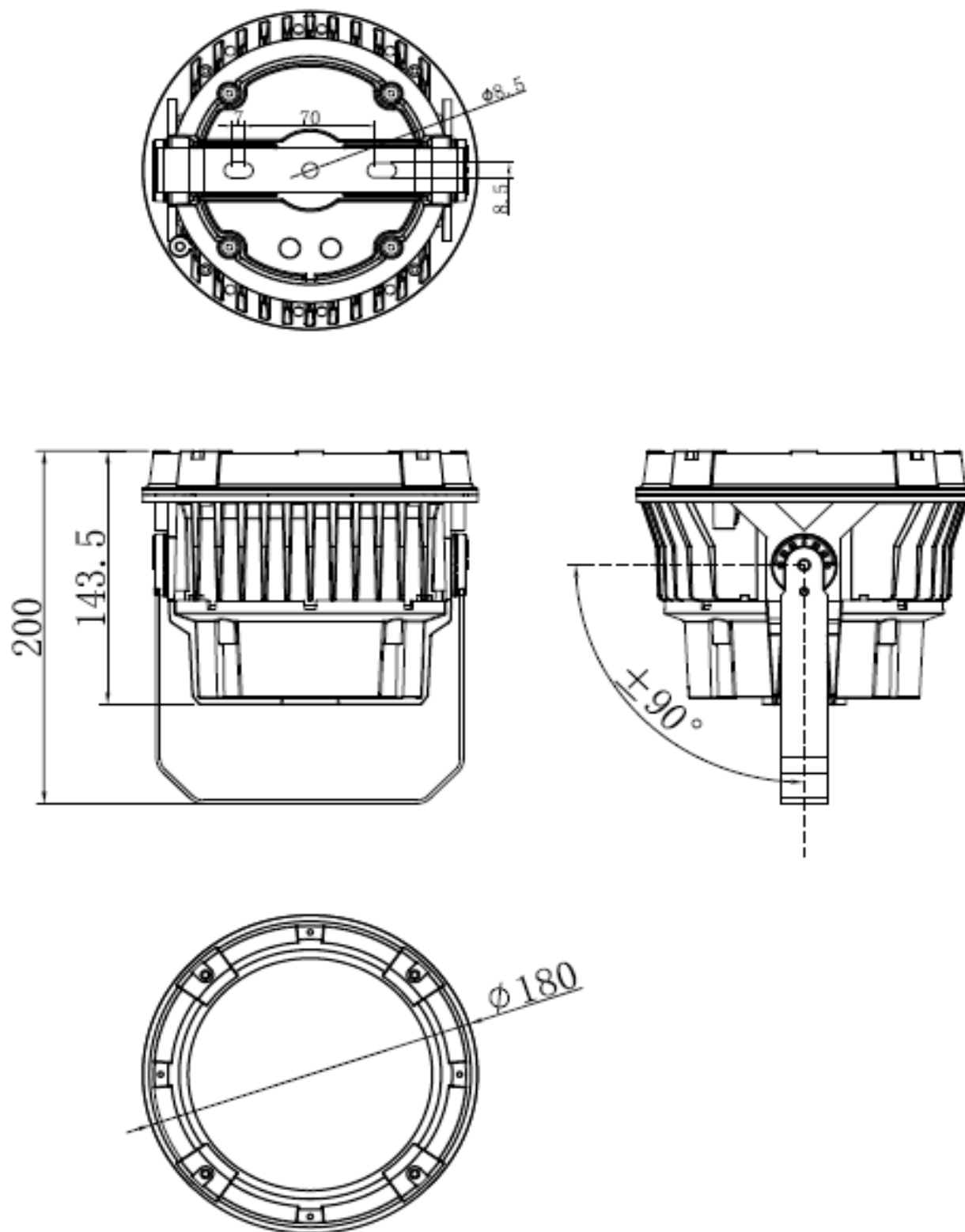
(4) Available only in 5LED

(5) RGB, tW and RGBW are available only in DMX control

Product Data

Product Family	BurstPro compact (BVP329 C)		
Dimensions (W x H x D)	\varnothing 180 x 200 mm (with bracket) \varnothing 180 mm x 143.5 mm (without bracket)		
Source	High power LED		
Lumen Maintenance	50,000 hrs L70B50 at 35°C		
Housing	Die-cast aluminum		
Finishing	Electrostatically applied polyester powder coating		
Housing Color	Dark Grey (RAL7012)		
Bracket	Cold-rolled steel		
Adjustability	Tilting angle \pm 90°		
Lenses	Anti-aging and anti-UV high optical efficiency PMMA lenses		
Gasket	Silicon		
Cover	Clear tempered glass		
Max Weight	2.4kg		
Control Interfaces	On/Off DMX512/RDM		
Input Voltage	220-240 VAC, 50/60Hz		
Inrush Current	Max 60A/650 μ s (cold start 230Vac/50Hz measured at 50% Ipeak)		
Maximum Number of Luminaires on 16A MCB	4 units (Type B) 8 units (Type C)		
Total Harmonic Distortion	Max 15% (230Vac/50Hz, full load)		
IEC Classification	Class I		
Power Cable	3 pole round cable L=50cm, 3x1.0mm ² with flying wires		
Signal Cable	4 pole round cable L=50cm, 4x0.5mm ² (DMX versions only)		
Cables Connectors	IP67 male/female connectors for DMX through wiring (DMX versions only)		
Max Number of LEDs	5LED	9LED	12LED
Beam Angles	3.5°	8°, 15°, 30°, 40°, 60°	
Max Power Consumption	12W	21W	27W
Standard Colors	–	RGB, RGBNW	
Standard WH CCT	2700K, 3000K, 4000K		
Standard CRI	80		
White SDCM	4		
Colors Wavelengths	R: 620 to 625nm; G: 525 to 530nm; B: 470 to 475nm		
Temperature Range	-40°C to 50°C (Operating) -35°C to 50°C (Startup) -40°C to 70°C (Storage)		
Protection Rating	IP66, IK08		
Certifications	CE, CB, CQC, RoHS (in progress)		
Warranty	3 Years		

Luminaire Dimensions:



Rev. 20200331

© 2020 Signify Holding. All rights reserved.
Specifications may change without notice.

Polar Candela Distribution Curves:

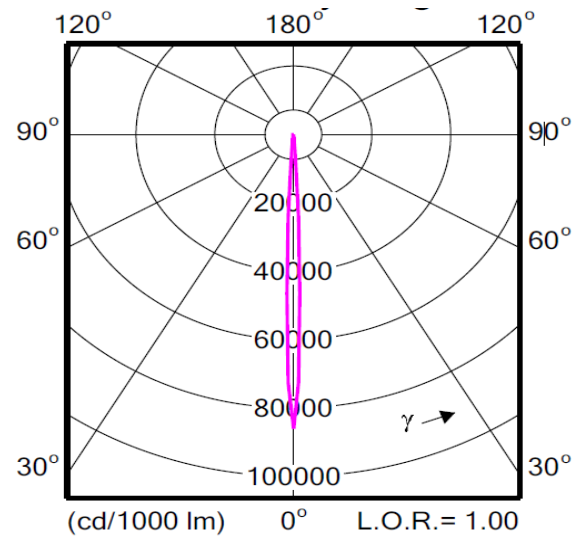
3.5x3.5° Beam Angle

Features:

The 3.5x3.5° beam angle delivers a very narrow beam with more lumens where you want them.

Available only for 6LED version

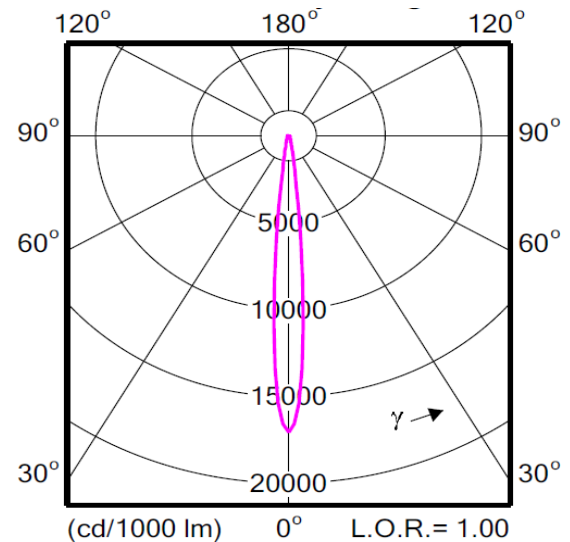
Not available for RGB or RGBW



8x8° Beam Angle

Features:

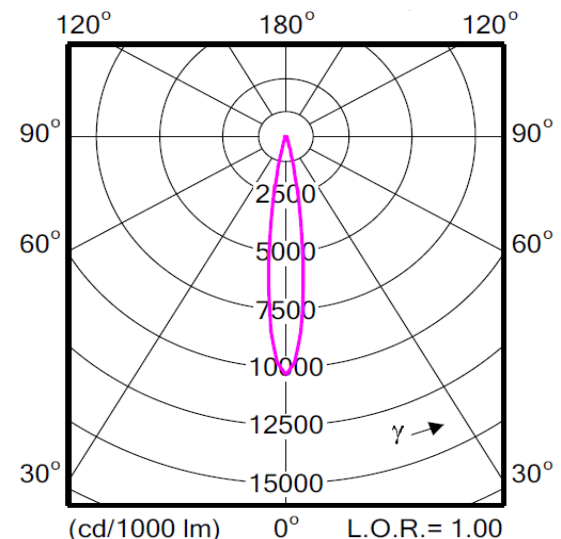
The 8x8° beam angle offers a narrow beam that can be used to highlight a small area in a building or making an ornament stands out.



15x15° Beam Angle

Features:

The 15x15° beam angle offers a medium that can be used to highlight a small to medium area in a building or making an ornament stands out.

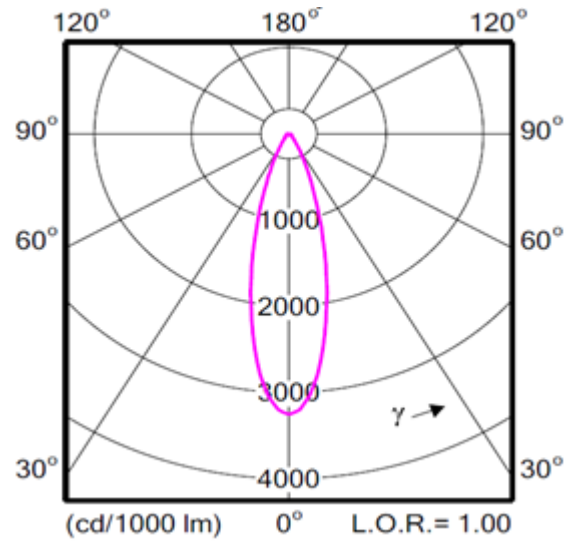


Polar Candela Distribution Curves:

30x30° Beam Angle

Features:

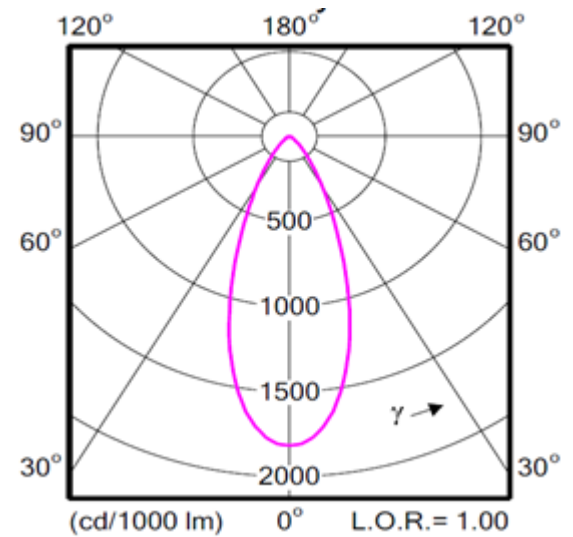
The 30x30° beam angle offers a wide beam that can be used for highlighting medium to large areas in a building or used for general façade lighting.



40x40° Beam Angle

Features:

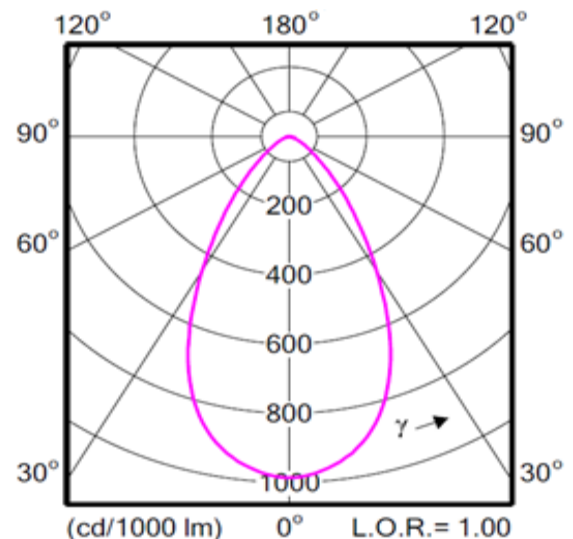
The 40x40° beam angle offers a wide beam that can be used for highlighting large and wide areas in a building or used for general façade lighting.



60x60° Beam Angle

Features:

The 60x60° beam angle offers a wide flood distribution that can be used to highlight larger and wider areas in a building or for general façade lighting.



Order Information:

Description
BVP329 C 9LED 27K 220V 8
BVP329 C 9LED 27K 220V 8 DMX
BVP329 C 9LED 30K 220V 8
BVP329 C 9LED 30K 220V 8 DMX
BVP329 C 9LED 40K 220V 8
BVP329 C 9LED 40K 220V 8 DMX
BVP329 C 9LED RGB 220V 8 DMX
BVP329 C 8LED RGBWW 220V 8 DMX
BVP329 C 8LED RGBNW 220V 8 DMX
BVP329 C 9LED 27K 220V 15
BVP329 C 9LED 27K 220V 15 DMX
BVP329 C 9LED 30K 220V 15
BVP329 C 9LED 30K 220V 15 DMX
BVP329 C 9LED 40K 220V 15
BVP329 C 9LED 40K 220V 15 DMX
BVP329 C 9LED RGB 220V 15 DMX
BVP329 C 8LED RGBWW 220V 15 DMX
BVP329 C 8LED RGBNW 220V 15 DMX
BVP329 C 9LED 27K 220V 30
BVP329 C 9LED 27K 220V 30 DMX
BVP329 C 9LED 30K 220V 30
BVP329 C 9LED 30K 220V 30 DMX
BVP329 C 9LED 40K 220V 30
BVP329 C 9LED 40K 220V 30 DMX
BVP329 C 9LED RGB 220V 30 DMX
BVP329 C 8LED RGBWW 220V 30 DMX

¹Other options are available upon request

Order Information:

Description
BVP329 C 8LED RGBNW 220V 30 DMX
BVP329 C 9LED 27K 220V 40
BVP329 C 9LED 27K 220V 40 DMX
BVP329 C 9LED 30K 220V 40
BVP329 C 9LED 30K 220V 40 DMX
BVP329 C 9LED 40K 220V 40
BVP329 C 9LED 40K 220V 40 DMX
BVP329 C 9LED RGB 220V 40 DMX
BVP329 C 8LED RGBWW 220V 40 DMX
BVP329 C 8LED RGBNW 220V 40 DMX
BVP329 C 9LED 27K 220V 60
BVP329 C 9LED 27K 220V 60 DMX
BVP329 C 9LED 30K 220V 60
BVP329 C 9LED 30K 220V 60 DMX
BVP329 C 9LED 40K 220V 60
BVP329 C 9LED 40K 220V 60 DMX
BVP329 C 9LED RGB 220V 60 DMX
BVP329 C 8LED RGBWW 220V 60 DMX
BVP329 C 8LED RGBNW 220V 60 DMX
BVP329 C 12LED 27K 220V 8
BVP329 C 12LED 27K 220V 8 DMX
BVP329 C 12LED 30K 220V 8
BVP329 C 12LED 30K 220V 8 DMX
BVP329 C 12LED 40K 220V 8
BVP329 C 12LED 40K 220V 8 DMX
BVP329 C 12LED RGB 220V 8 DMX

¹Other options are available upon request

Order Information:

Description
BVP329 C 12LED RGBWW 220V 8 DMX
BVP329 C 12LED RGBNW 220V 8 DMX
BVP329 C 12LED 27K 220V 15
BVP329 C 12LED 27K 220V 15 DMX
BVP329 C 12LED 30K 220V 15
BVP329 C 12LED 30K 220V 15 DMX
BVP329 C 12LED 40K 220V 15
BVP329 C 12LED 40K 220V 15 DMX
BVP329 C 12LED RGB 220V 15 DMX
BVP329 C 12LED RGBWW 220V 15 DMX
BVP329 C 12LED RGBNW 220V 15 DMX
BVP329 C 12LED 27K 220V 30
BVP329 C 12LED 27K 220V 30 DMX
BVP329 C 12LED 30K 220V 30
BVP329 C 12LED 30K 220V 30 DMX
BVP329 C 12LED 40K 220V 30
BVP329 C 12LED 40K 220V 30 DMX
BVP329 C 12LED RGB 220V 30 DMX
BVP329 C 12LED RGBWW 220V 30 DMX
BVP329 C 12LED RGBNW 220V 30 DMX
BVP329 C 12LED 27K 220V 40
BVP329 C 12LED 27K 220V 40 DMX
BVP329 C 12LED 30K 220V 40
BVP329 C 12LED 30K 220V 40 DMX
BVP329 C 12LED 40K 220V 40
BVP329 C 12LED 40K 220V 40 DMX

¹Other options are available upon request

Order Information:

Description
BVP329 C 12LED RGB 220V 40 DMX
BVP329 C 12LED RGBWW 220V 40 DMX
BVP329 C 12LED RGBNW 220V 40 DMX
BVP329 C 12LED 27K 220V 60
BVP329 C 12LED 27K 220V 60 DMX
BVP329 C 12LED 30K 220V 60
BVP329 C 12LED 30K 220V 60 DMX
BVP329 C 12LED 40K 220V 60
BVP329 C 12LED 40K 220V 60 DMX
BVP329 C 12LED RGB 220V 60 DMX
BVP329 C 12LED RGBWW 220V 60 DMX
BVP329 C 12LED RGBNW 220V 60 DMX

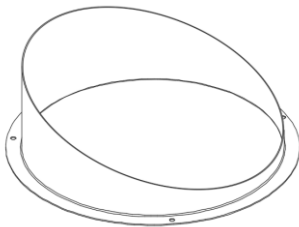
¹Other options are available upon request

Accessories:

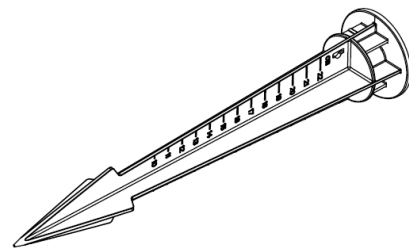
Description
BVP329 C glare shield(12 pcs)
ZXP390 Earth Spike H26 (5 pcs)
ZXP390 Lead 4P DMX cable 2m (10 pcs)
ZXP390 Jump 4P DMX cable 2m (10 pcs)
ZXP390 endcap male connector (20 pcs)
ZXP390 endcap female connector (20 pcs)

¹ Different cables lengths are available upon request

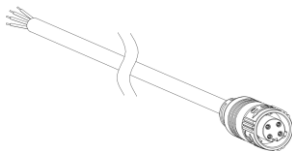
² End caps must be used at the end of each run



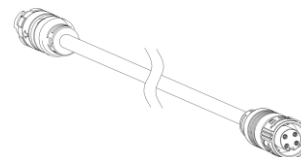
Glare Shield



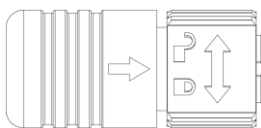
Earth Spike



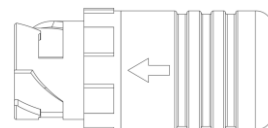
Leader cable 4P DMX 2m



Jumper cable 4P DMX 2m



End cap for male connectors



End cap for female connectors

Rated System Lumen Output ($\pm 10\%$):

5LED Version

CCT/Color (All channels On)	3.5° DMX
2700K	680
3000K	730
4000K	830

8/9LED Version

CCT/Color (All channels On)	8° DMX	15° DMX	30° DMX	40° DMX	60° DMX
2700K	970	1070	980	930	750
3000K	1040	1150	1050	1000	800
4000K	1190	1310	1200	1140	920
RGB	610	680	620	590	470
RGBNW	710	790	720	690	550

12LED Version

CCT/Color (All channels On)	8°	15°	30°	40°	60°
	DMX	DMX	DMX	DMX	DMX
2700K	1580	1650	1550	1530	1320
3000K	1700	1770	1660	1640	1420
4000K	1940	2020	1900	1870	1620
RGB	1000	1050	980	970	840
RGBNW	1240	1290	1210	1200	1030

