

BrushPro (BCP389 PRO)

Brush and iGrazer are surface mounted, exterior-rated and compact sized LED wall washing and grazing luminaires that are designed for façade and outdoor architectural lighting applications. The robust mechanical and unique optical designs make them ideal for illuminating buildings facades, bridges, overpasses and any application that requires a linear lighting solutions.

Available in white, monochromatic colors, RGB, RGBW and tunable white.

AC powered with integrated driver, various spread lenses, DMX control option with signal through wiring available to give architects and designers the freedom to explore a wide range of concepts and design with no limitations..



Key Features (BCP389 PRO)

- AC powered 220-240V 50/60Hz
- Standard: RGBW, RGB, 2700K, 3000K and 4000K
- Optional 5000K, Monochromatic Colors and Tunable White
- Standard 520 and 1000mm lengths
- Symmetrical and asymmetrical optical distributions
- Robust Design & IP66 rating for outdoor use
- Special RGBW 4in1 LED version for maximum uniformity
- Adjustable $\pm 58^\circ$ tilting angle
- Available in DMX control interface option

Ordering guide

ex: BCP389 PRO 30LED 30K 220V 7 L52 DMX

BCP389	PRO			220V		L	
Family	Type / Size	# of LEDs	CCT / Color	Voltage	Beam Angle	Length	Control Interface
BCP389 – Brush	Pro – Pro version	24LED 30LED/32LED ⁽¹⁾ <hr/> 48LED 60LED/64LED ⁽¹⁾	27K – 2700K 30K – 3000K 40K – 4000K 50K – 5000K RGB – RGB BL – Blue RD – Red GN – Green AM – Amber TW – Tunable White	220V – 220V-240V AC	7 – 7.5° ⁽²⁾ A1 – 7.5x27° A5 – 7.5x50° ⁽³⁾	L52 – 520mm <hr/> L100 – 1000mm	– On/Off DMX – DMX
		6LED 12LED	RGBWW – RGBW(3000K) RGBNW – RGBW(4000K)		A7 – 15x40°	L52 – 520mm L100 – 1000mm	

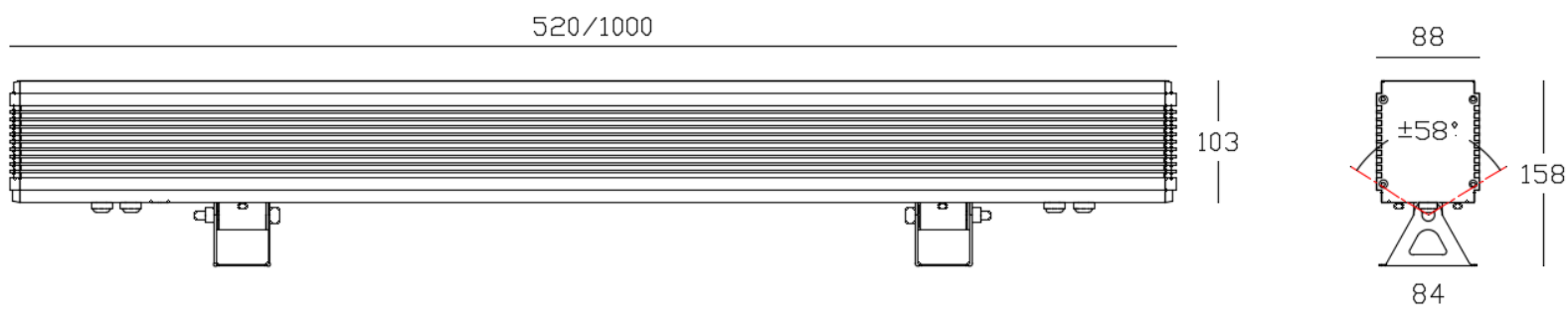
(1) RGB versions are the 32LED and 64LED
 (2) Not available for RGB
 (3) Available only for RGB

Product Data

Product Family	BrushPro (BCP389 PRO)								
Dimensions (L x W x H)	520/1000mm x 158mm x 88mm (with bracket) 520/1000mm x 103mm x 88mm (without bracket)								
Source	High power LED								
Lumen Maintenance	White: 50,000 hrs L70 at 35°C RGB: 50,000 hrs L50 at 35°C								
Housing	Extruded aluminum with die-cast aluminum end caps								
Finishing	Electrostatically applied polyester powder coating								
Color	Dark Grey (RAL7012)								
Bracket	Aluminum plate and Stainless steel								
Adjustability	Tilting angle $\pm 58^\circ$								
Lenses	Anti-aging and anti-UV high optical efficiency PMMA lenses								
Gasket	Silicon								
Cover	Clear tempered glass								
Control Interfaces	On/Off DMX12								
Input Voltage	220-240 VAC, 50/60Hz								
Total Harmonic Distortion	< 20% (230Vac/50Hz, full load)								
IEC Classification	Class I								
Power Cable (On/Off)	3 pole round cable L=30cm, 3x1.0mm ² with flying wires								
Signal Cable (DMX)	4 pole round cable L=30cm, 4x0.50mm ² (DMX versions only)								
Cables Connectors	IP67 Male/Female connectors for DMX through wiring (DMX versions only)								
Lengths	520mm				1000mm				
Inrush Current ⁽¹⁾	60A/850 μ s				70A/650 μ s				
Max No of Fixtures on 16A MCB	Type B	4				3			
	Type C	8				6			
Number of LEDs	6LED	24LED	30LED	32LED	12LED	48LED	60LED	64LED	
Standard CCT/Color	RGBW (4000K)	WH RGB	WH	RGB	RGBW (4000K)	WH RGB	WH	RGB	
Max Power Consumption	50W		60W		100W		120W		
Max Weight	4.5 kg				8.5 kg				
Standard CCT/Colors	2700K, 3000K, 4000K, RGB, RGBW(4000K)								
Standard Optics	7.5° (for white) 7.5x27° (for white and RGB) 15x40° (for RGBW)								
Standard CRI	80								
White SDCM	4								
Colors Wavelength	R: 620 to 625nm; G: 525 to 530nm; B: 470 to 475nm								
Temperature Range	-40°C to 50°C (Operating) -35°C to 50°C (Startup) -40°C to 70°C (Storage)								
Protection Rating	IP66, IK06								
Certifications	CE, CB, CQC (all in progress)								
Warranty	3 Years								

(1) Inrush current is the maximum value @ cold start 230Vac/50Hz measured at 50% Ipeak

Luminaire Dimensions:

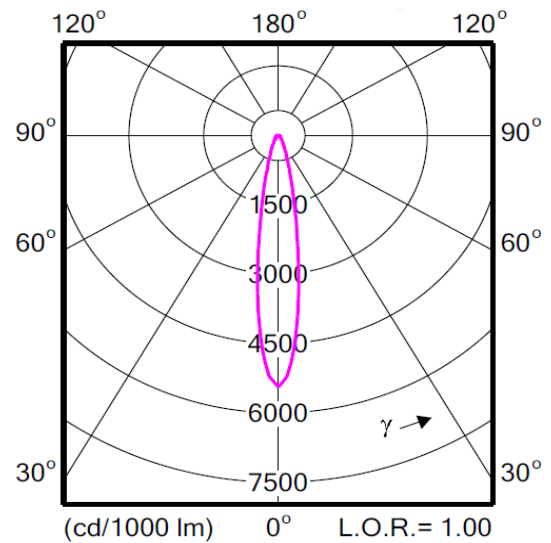


Polar Candela Distribution Curves:

7.5x7.5° Beam Angle

Features:

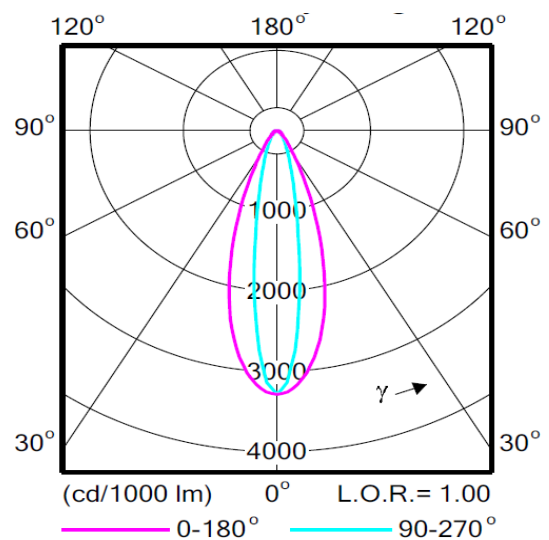
The 7.5x7.5° beam angle delivers a narrow and intense light distribution that can reach high heights. Available for all options except RGB and RGBW



A6: 15x40° Beam Angle

Features:

The 16x35° beam angle offers significant and even light output. Move it closer to the surface to get a higher concentrated effect. Available only for RGBW

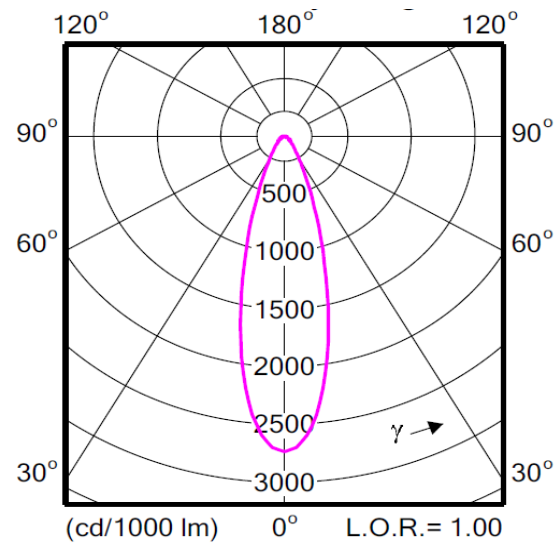


Polar Candela Distribution Curves:

A1: 7.5x27° Beam Angle

Features:

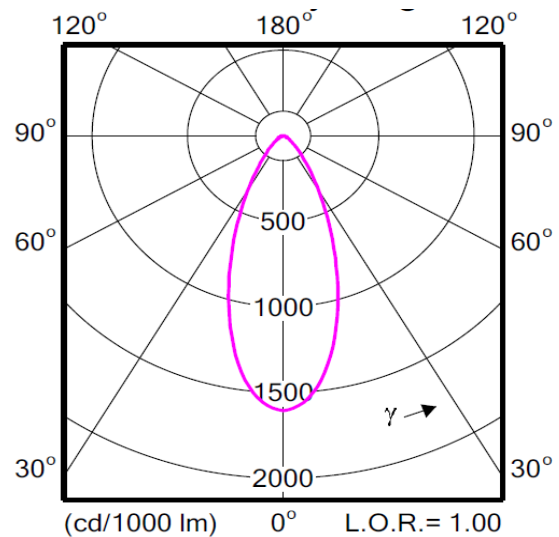
The 7.5x27° beam angle offers an asymmetrical distribution with a narrow beam. Can throw the light at Available for all versions for RGBW



A5: 7.5x50° Beam Angle

Features:

The 7.5x50° beam angle offers an asymmetrical distribution with a wider distribution. Move it closer to the surface to get a concentrated light. Available only for RGB



Order Information:

Description
BCP389 PRO 24LED RGB 220V A1 L52 DMX
BCP389 PRO 30LED RGB 220V A1 L52 DMX
BCP389 PRO 6LED RGBNW 220V A7 L52 DMX
BCP389 PRO 24LED 27K 220V 7 L52
BCP389 PRO 24LED 27K 220V 7 L52 DMX
BCP389 PRO 24LED 27K 220V A1 L52
BCP389 PRO 24LED 27K 220V A1 L52 DMX
BCP389 PRO 24LED 30K 220V 7 L52
BCP389 PRO 24LED 30K 220V 7 L52 DMX
BCP389 PRO 24LED 30K 220V A1 L52
BCP389 PRO 24LED 30K 220V A1 L52 DMX
BCP389 PRO 24LED 40K 220V 7 L52
BCP389 PRO 24LED 40K 220V 7 L52 DMX
BCP389 PRO 24LED 40K 220V A1 L52
BCP389 PRO 24LED 40K 220V A1 L52 DMX
BCP389 PRO 30LED 27K 220V 7 L52
BCP389 PRO 30LED 27K 220V 7 L52 DMX
BCP389 PRO 30LED 27K 220V A1 L52
BCP389 PRO 30LED 27K 220V A1 L52 DMX
BCP389 PRO 30LED 30K 220V 7 L52
BCP389 PRO 30LED 30K 220V 7 L52 DMX
BCP389 PRO 30LED 30K 220V A1 L52
BCP389 PRO 30LED 30K 220V A1 L52 DMX
BCP389 PRO 30LED 40K 220V 7 L52
BCP389 PRO 30LED 40K 220V 7 L52 DMX
BCP389 PRO 30LED 40K 220V A1 L52
BCP389 PRO 30LED 40K 220V A1 L52 DMX
BCP389 PRO 48LED 27K 220V 7 L100

¹Other options are available upon request

Order Information:

Description
BCP389 PRO 48LED 27K 220V 7 L100 DMX
BCP389 PRO 48LED 27K 220V A1 L100
BCP389 PRO 48LED 27K 220V A1 L100 DMX
BCP389 PRO 48LED 30K 220V 7 L100
BCP389 PRO 48LED 30K 220V 7 L100 DMX
BCP389 PRO 48LED 30K 220V A1 L100
BCP389 PRO 48LED 30K 220V A1 L100 DMX
BCP389 PRO 48LED 40K 220V 7 L100
BCP389 PRO 48LED 40K 220V 7 L100 DMX
BCP389 PRO 48LED 40K 220V A1 L100
BCP389 PRO 48LED 40K 220V A1 L100 DMX
BCP389 PRO 60LED 27K 220V 7 L100
BCP389 PRO 60LED 27K 220V 7 L100 DMX
BCP389 PRO 60LED 27K 220V A1 L100
BCP389 PRO 60LED 27K 220V A1 L100 DMX
BCP389 PRO 60LED 30K 220V 7 L100
BCP389 PRO 60LED 30K 220V 7 L100 DMX
BCP389 PRO 60LED 30K 220V A1 L100
BCP389 PRO 60LED 30K 220V A1 L100 DMX
BCP389 PRO 60LED 40K 220V 7 L100
BCP389 PRO 60LED 40K 220V 7 L100 DMX
BCP389 PRO 60LED 40K 220V A1 L100
BCP389 PRO 60LED 40K 220V A1 L100 DMX
BCP389 PRO 48LED RGB 220V A1 L100 DMX
BCP389 PRO 60LED RGB 220V A1 L100 DMX
BCP389 PRO 12LED RGBNW 220V A7 L100 DMX

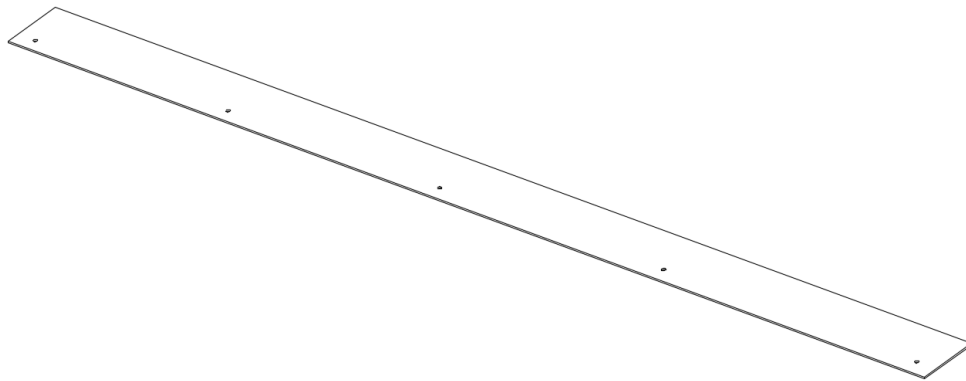
¹Other options are available upon request

Accessories

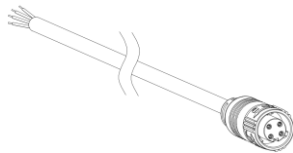
Description
BCP389 PRO L52 glare shield (16 pcs)
BCP389 PRO L100 glare shield (16 pcs)
ZXP390 Lead 4P DMX cable 2m (10 pcs)
ZXP390 Jump 4P DMX cable 2m (10 pcs)
ZXP390 endcap male connector (20 pcs)
ZXP390 endcap female connector (20 pcs)

¹ Different cables lengths are available upon request

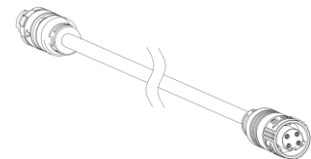
² End caps must be used at the end of each run



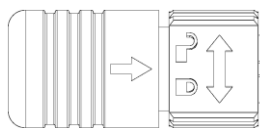
Glare Shield



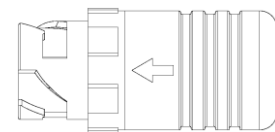
Leader cable 4P DMX 2m



Jumper cable 4P DMX 2m



End cap for male connectors



End cap for female connectors

Rev. 20190425

Rated System Lumen Output ($\pm 10\%$):

BCP389 Pro L52 – 24LED

CCT/Color (All channels On)	7°	A1°	A5°
	DMX	DMX	DMX
2700K	2,850	2,640	–
3000K	3,050	2,830	–
4000K	3,480	3,230	–
RGB	–	1,690	1,510

BCP389 Pro L51 – 30LED

CCT/Color (All channels On)	7°	A1°	A5°	A7°
	DMX	DMX	DMX	DMX
2700K	3,560	3,310	–	–
3000K	3,810	3,540	–	–
4000K	4,350	4,030	–	–
32LED RGB	–	2,550	2,290	–
6LED RGBNW	–	–	–	1,520

Rated System Lumen Output ($\pm 10\%$):

BCP389 Pro L100 – 48LED

CCT/Color (All channels On)	7°	A1°	A5°
	DMX	DMX	DMX
2700K	5,700	5,290	–
3000K	6,100	5,660	–
4000K	6,950	6,450	–
RGB	–	3,390	3,020

BCP389 Pro L100 – 60LED

CCT/Color (All channels On)	7°	A1°	A5°	A7°
	DMX	DMX	DMX	DMX
2700K	7,120	6,610	–	–
3000K	7,620	7,070	–	–
4000K	8,690	8,060	–	–
RGB	–	5,090	4,580	–
12LED RGBNW	–	–	–	3,050

