

# Blade

Blade is a surface mounted, exterior-rated and compact sized architectural LED edge lighting luminaire that is designed for façade and outdoor decorative lighting applications.

The robust mechanical and unique optical designs make Blade ideal for edges lighting on windows, building façades, landmarks and monuments.

Available in white, monochromatic colors, RGB, RGBW and tunable white.

Unique spread lens with DMX control option available to give architects and designers the freedom to explore a wide range of concepts and design with no limitations.



## Key Features

- Standard: RGBW, RGB, 2700K, 3000K and 4000K
- Optional 5000K, Monochromatic Colors and Tunable White
- Unique 3x90° optical distribution to illuminate architectural edges
- Robust Design & IP66 rating for outdoor use
- Adjustable -5° to +85° tilting angle
- Through wiring for power and DMX data via IP67 connectors
- Available in DMX512 control interface option

## Ordering guide

*BCP399 4LED 30K 24V 3x90 DMX*

BCP399		24V			
Family	LEDs	CCT / Color	Voltage	Beam Angle	Control <sup>(2)</sup>
BCP399 – Blade	3LED <sup>(1)</sup> 4LED	27K – 2700K 30K – 3000K 40K – 4000K 50K – 5000K RGB – RGB tW – Tunable White RGBWW – RGBW(3000K) RGBNW – RGBW(4000K) BL – Blue RD – Red GN – Green AM – Amber	24V – 24V DC	3x90 – 3x90°	– On/Off DMX – DMX

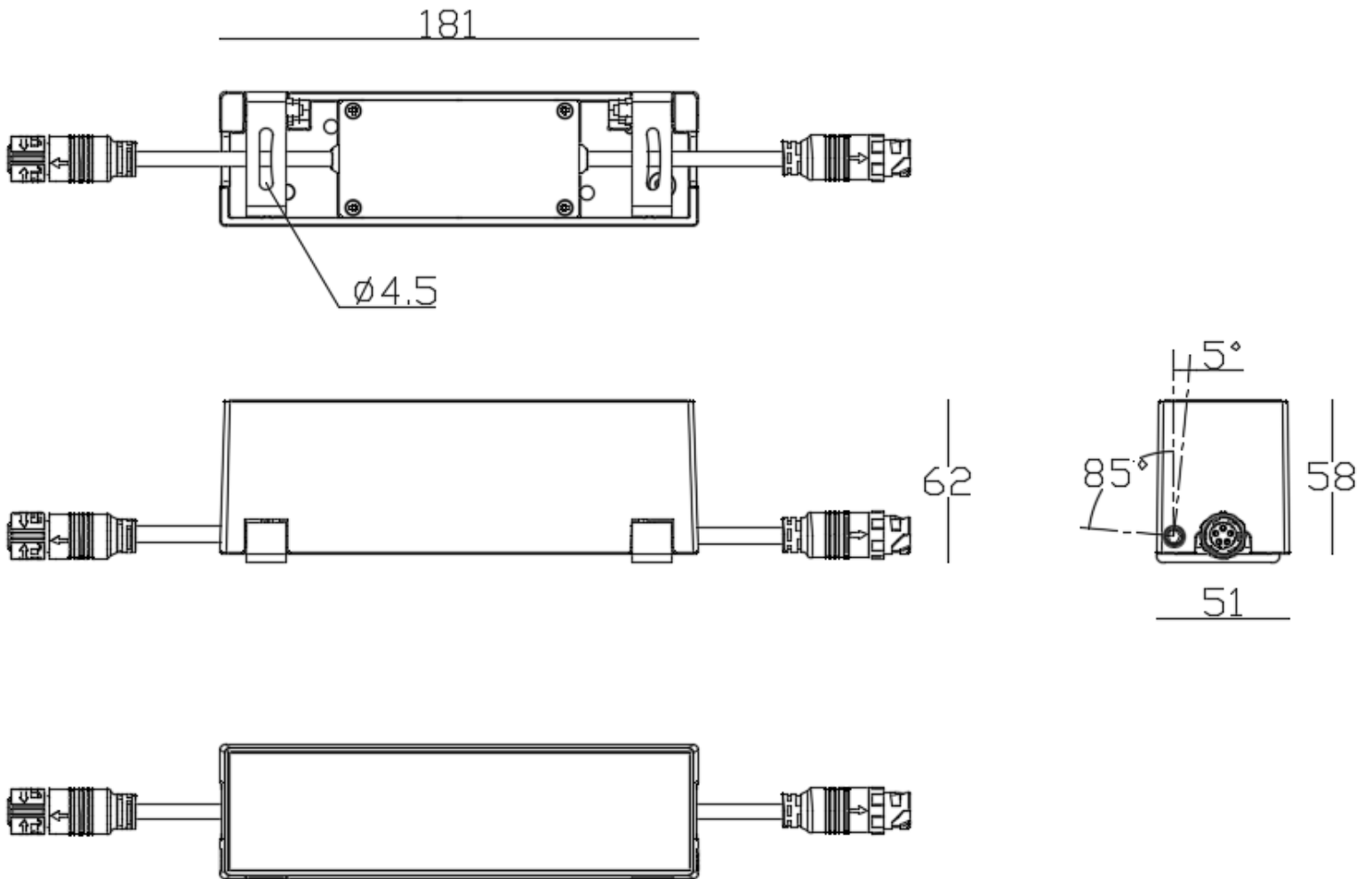
(1) 3LED is only for RGB version

(2) RGB, RGBW and tW are available only with DMX control

## Product Data

Product Family	Blade (BCP399)	
Dimensions (W x H x D)	181 x 62 x 51mm (with bracket)	
Standard Beam Angles	3x90°	
Source	High power LED	
Lumen Maintenance	White: 50,000 hrs L70 at 35°C RGB: 50,000 hrs L50 at 35°C	
Housing	Die-cast aluminum	
Finishing	Electrostatically applied polyester powder coating	
Color	Dark Grey (RAL7012)	
Bracket	Extruded aluminum	
Adjustability	Tilting angle -5° to +85°	
Lenses	Anti-aging and anti-UV PC lenses	
Gasket	Silicon	
Cover	Clear tempered glass	
Max Weight	0.85kg	
Control Interfaces	On/Off DMX512	
Input Voltage	24V DC	
IEC Classification	Class III	
Power Cable (On/Off)	2 pole round cable L=30cm, 2x1.5mm <sup>2</sup> with connectors	
Power/Signal Cable (DMX)	5 pole round cable L=30cm, 2x1.5mm <sup>2</sup> + 3x0.25mm <sup>2</sup> with connectors	
Connectors	IP67 male/female connectors for through wiring	
Number of LEDs	4LED	3LED
Standard CCT/Color	2700K, 3000K, 4000K, RGBW40K	RGB
Max Power Consumption	10W	7W
Beam Angle	3x90°	
Standard CRI	80	
White SDCM	4	
Colors Wavelengths	R: 620 to 625nm; G: 525 to 530nm; B: 470 to 475nm	
Temperature Range	-40°C to 50°C (Operating) -35°C to 50°C (Startup) -40°C to 70°C (Storage)	
Protection Rating	IP66, IK06	
Certification	CB, CQC, (CE in progress)	
Warranty	3 Years	

## Luminaire Dimensions:



Rev. 20190222

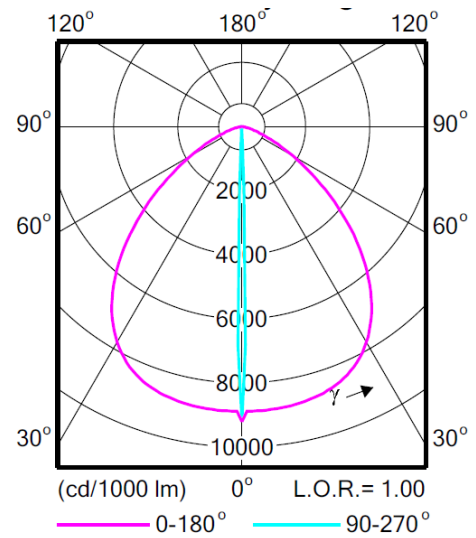
© 2019 Signify Holding. All rights reserved.  
Specifications may change without notice.

## Polar Candela Distribution Curve:

### 3x90° Beam Angle

#### Features:

With this lens design, you can deliver a unique lighting distribution effect. The applications include, but limited to, lighting the edges of windows, bridges or buildings facade.



## Order Information:

Order Code
BCP399 4LED 27K 24V 3x90
BCP399 4LED 27K 24V 3x90 DMX
BCP399 4LED 30K 24V 3x90
BCP399 4LED 30K 24V 3x90 DMX
BCP399 4LED 40K 24V 3x90
BCP399 4LED 40K 24V 3x90 DMX
BCP399 3LED RGB 24V 3x90 DMX
BCP399 4LED RGBNW 24V 3x90 DMX

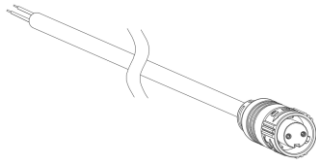
<sup>1</sup>Other options are available upon request

## Accessories:

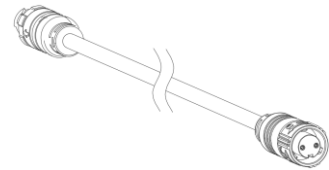
Order Code
ZXP390 Lead 2P DC cable 2m (10 pcs)
ZXP390 Jump 2P DC cable 2m (10 pcs)
ZXP390 Lead 5P DC/DMX cable 2m (10 pcs)
ZXP390 Jump 5P DC/DMX cable 2m (10 pcs)
ZXP390 Y-connect kit 5P DC/DMX (10 pcs)
ZXP390 endcap male connector (20 pcs)
ZXP390 endcap female connector (20 pcs)

<sup>1</sup> Different cables lengths are available upon request

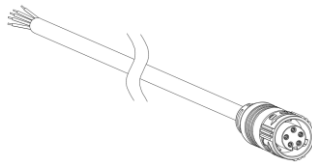
<sup>2</sup> End caps must be used at the end of each run



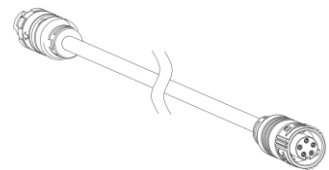
Leader cable 2P DC 2m



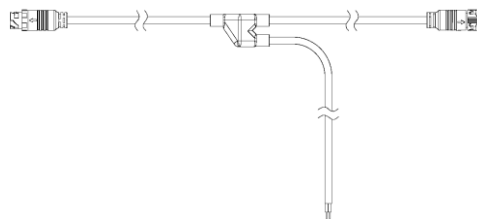
Jumper cable 2P DC 2m



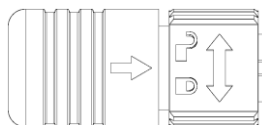
Leader cable 5P DC/DMX 2m



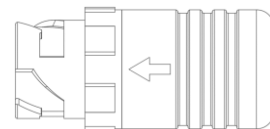
Jumper cable 5P DC/DMX 2m



Y-connector kit 5P DC/DMX



Endcap for male connectors



Endcap for female connectors

