



c

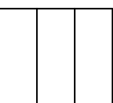


d

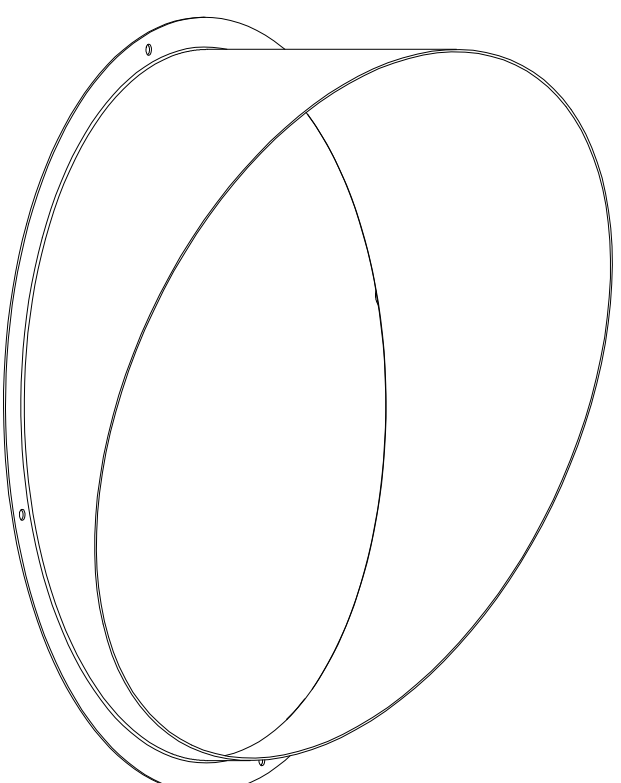
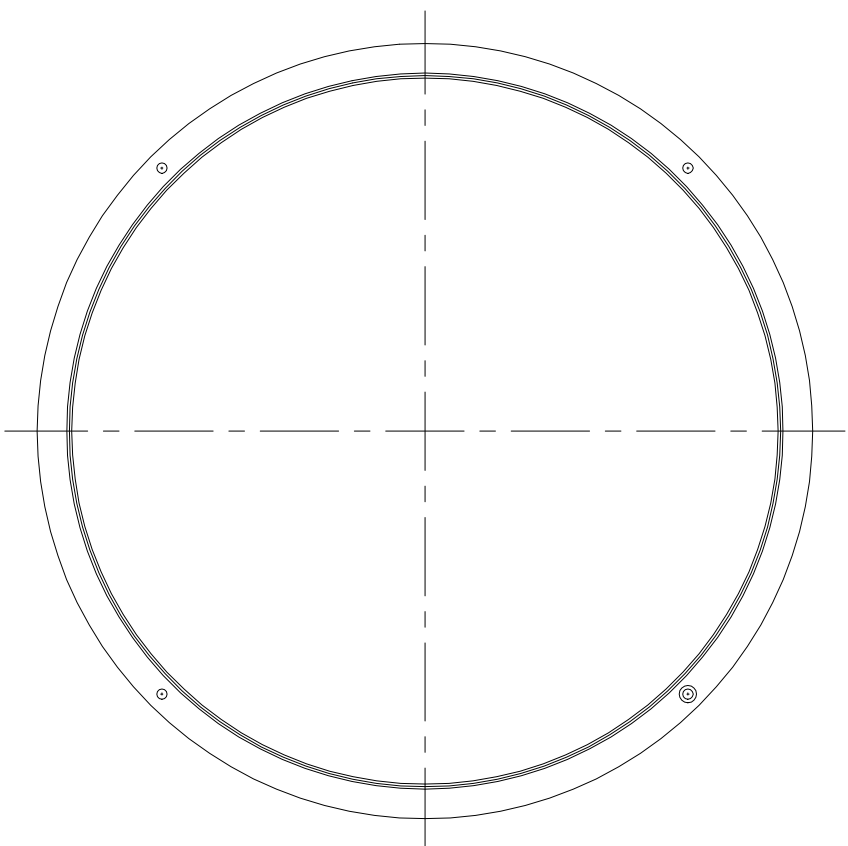
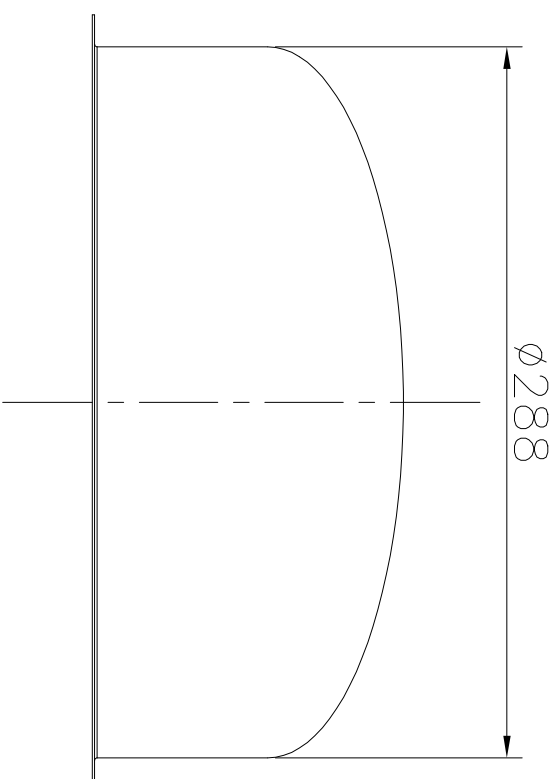
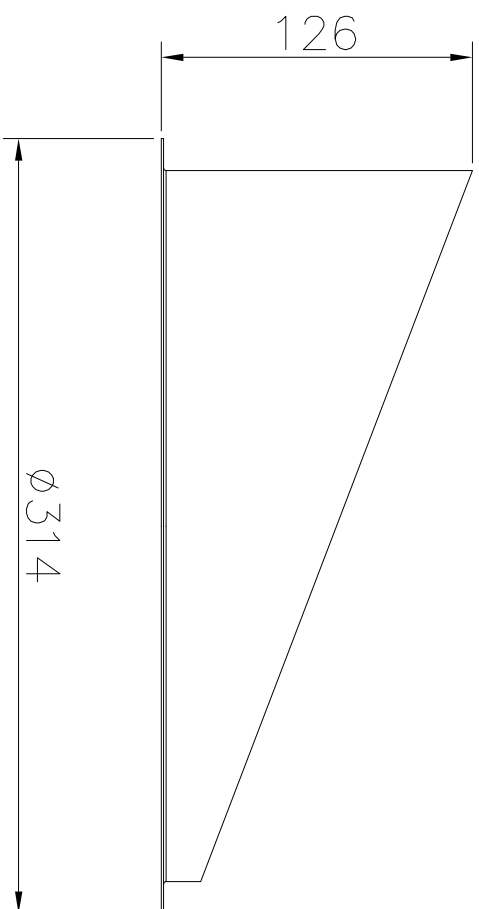


e

f



1 2 3 4 5 6 7 8



BVP329 L glare shield

ZhangYanqiong

2019/03/01

PROPERTY OF: Copyright Signify Holding

A

2019/03/01

A3

f

e

d

c

b

a

1 2 3 4 5 6 7 8