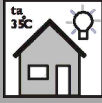


BurstPro Large

BVP329 L

Mounting instructions/安装说明



IEC
60598

GB
7000

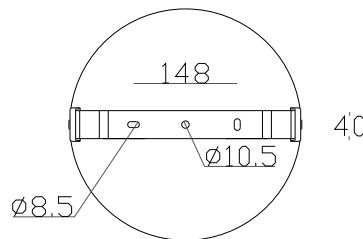
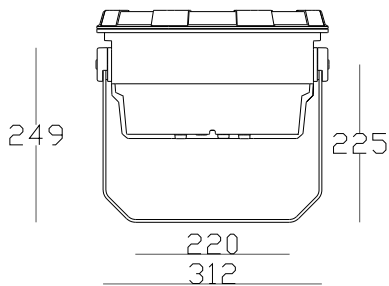
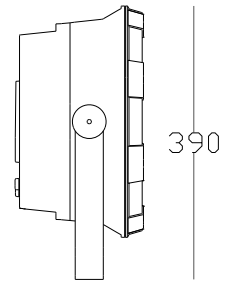
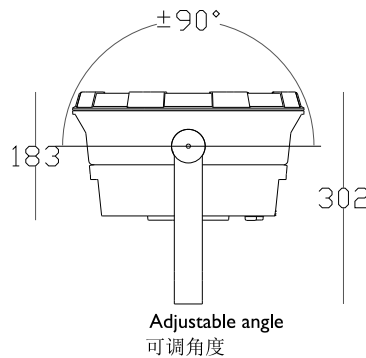
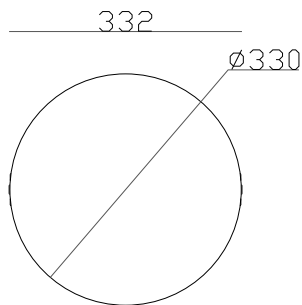


RoHs



IP66

Type number 产品型号	LEDs QTY LED数量	Power 功率	Voltage 输入电压	Beam angle 出光角	CCT/Color 色温/颜色	Control method 控制方式	Max. No. per DMX universe 每个DMX端口可控 最大灯数	
BVP329 L Mono	54/72	110W/150W	220-240V AC 50/60Hz	8×8° 15×15° 30×30° 40×40°	2700K 3000K 4000K	On-Off DMX-RDM	512 (Only DMX versions) (仅DMX型号)	10.8
BVP329 L RGB	54/72	110W/150W			RGB	DMX-RDM	170	10.8
BVP329 L RGBW	54/72	110W/150W			RGBW	DMX-RDM	128	10.8

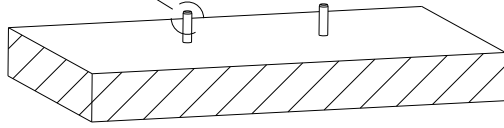
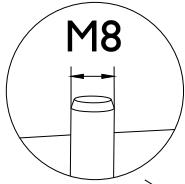


Unit: mm
单位: mm

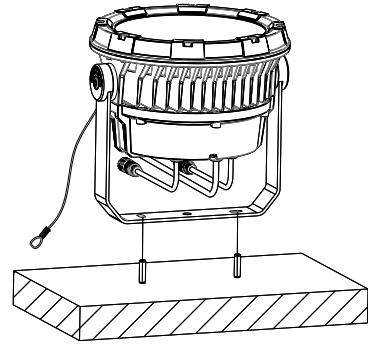
Signify (China) Investment Co., Ltd.
Building No. 9, Lane 888 Tianlin Road,
Minhang District, Shanghai, China
Postalcode: 200233
昕诺飞（中国）投资有限公司
中国上海市闵行区田林路888弄9号楼
邮编: 200233

LiteMagic

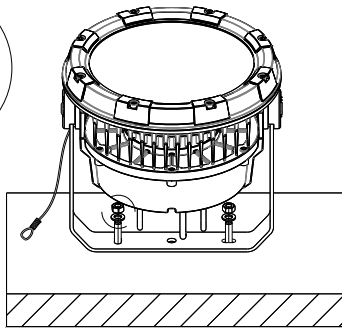
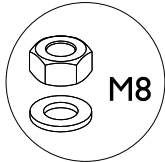
1



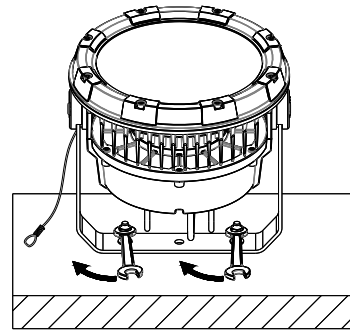
2



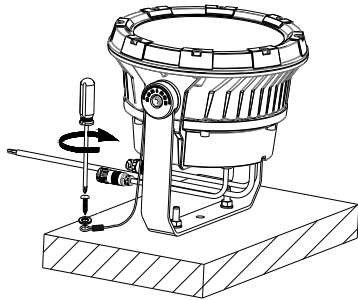
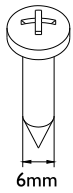
3



4

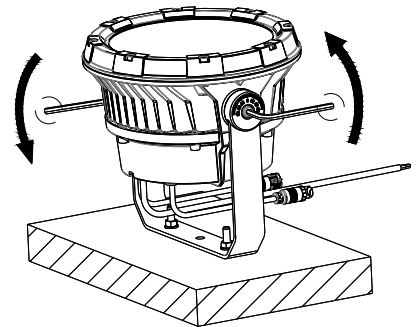


5

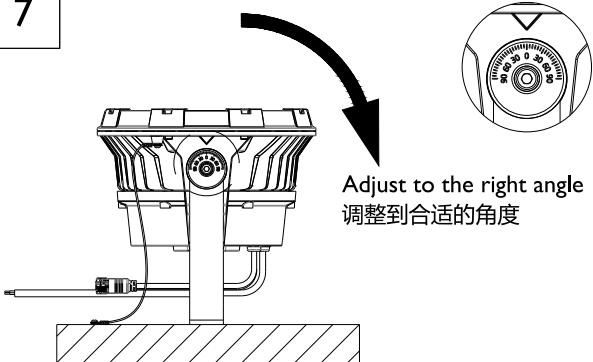


6

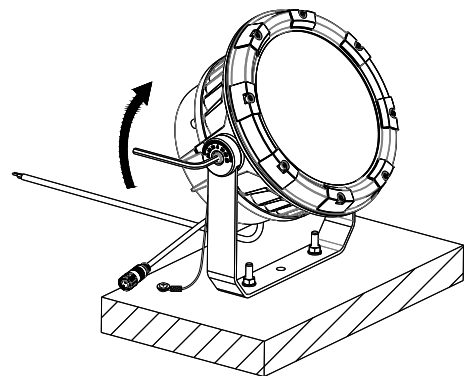
Hex wrench
内六角扳手



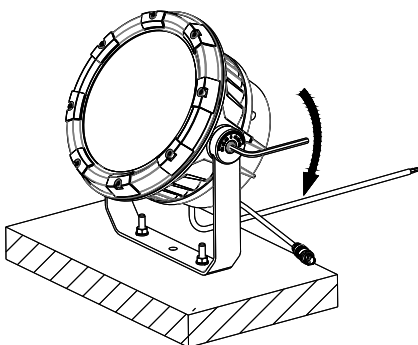
7



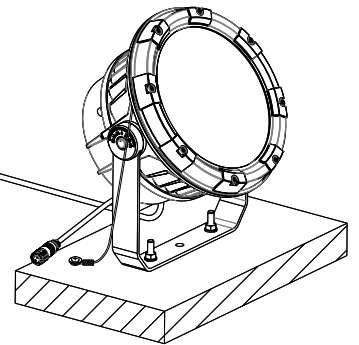
8



9

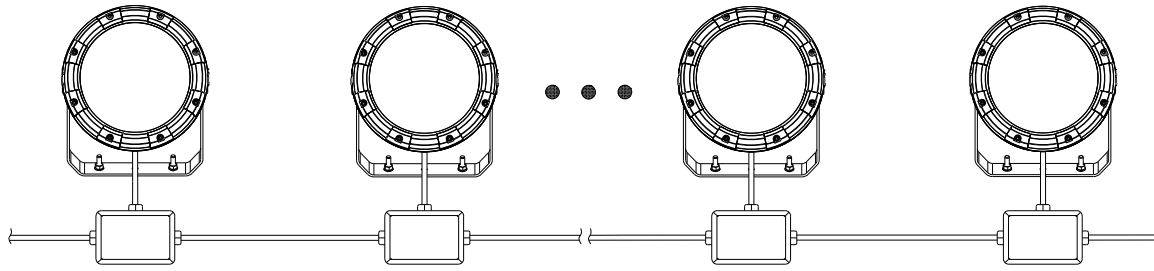


10

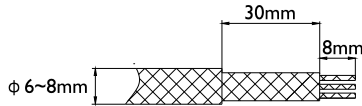


A Wiring diagram of On/Off versions

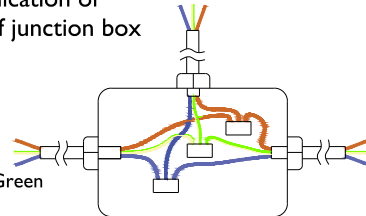
EN



Internal indication of waterproof junction box



L: Brown
N: Blue
E: Yellow+Green



Waterproof junction box with IP grade no lower than IP66 should be used. Waterproof junction box should be ordered separately.



1. When used in a humid environment, please seal all entries to prevent liquid ingress. Please use RTV silicone and waterproof junction box.
2. Wiring method depends on local electrical standards and regulations, generally using threaded and screwable wire connectors or screw terminal blocks.

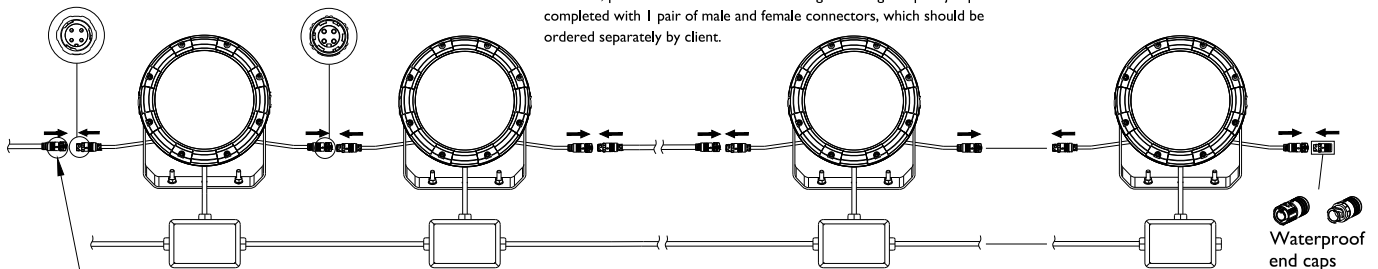
B Wiring diagram of DMX versions

⚠ Input with male waterproof connector

4-pin male connector

4-pin female connector

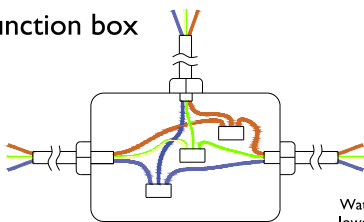
If needed, products can be connected through 2m-length 4-pole jump cables completed with 1 pair of male and female connectors, which should be ordered separately by client.



The first product should be connected to DMX controller via 2m-length 4-pole lead cable completed with female connector at one side, which should be ordered separately by client.

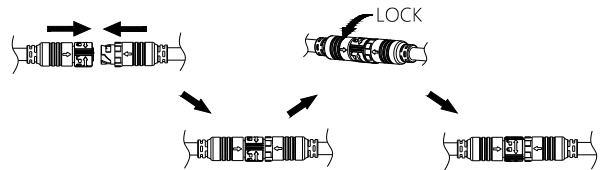
Internal indication of waterproof junction box

L: Brown
N: Blue
E: Yellow+Green



Waterproof junction box with IP grade no lower than IP66 should be used. Waterproof junction box should be ordered separately.

Dock the waterproof connectors up



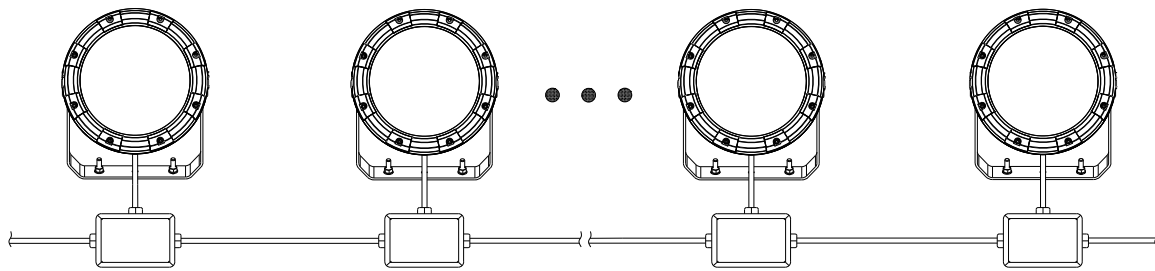
1. For wet or damp locations seal all points of entry to prevent water infiltration. Use RTV silicone and weatherproof junction boxes.
2. The wire connection method is determined by local electrical codes and regulations, typically either wire nuts or screw terminal blocks.
3. Maximum DMX data run from DMX source to the last luminaire is 100m or maximum 32 luminaires unless booster or repeater is used. With each ZXP399 DMX amplifier applied, the DMX data can be repeated for up to 100m or maximum 32 luminaires. Maximum no. of controlled luminaires refer to table in Page 1. The controller with output DMX signal as SELV is recommended.
4. Waterproof end cap should be installed on the connectors in the ends which are not docked up.



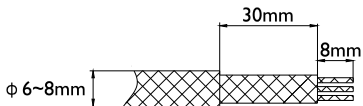
1. Ensure that main power supply is off before installing or wiring a luminaire.
2. Do not attempt to install or use a luminaire until you read and understand the installation instructions and safety labels.
3. Do not hot swap luminaires.
4. Ensure that power to the series is off before connecting or disconnecting individual luminaires.
5. The luminaire shall, under no circumstance, be covered with insulating material of any kind.
6. Do not use a luminaire for any voltage for which it is not rated. Do not exceed the specified voltage and current input for any luminaire.
7. Do not use a luminaire if the glass, housing, or power cables are damaged.
8. The luminaire power and data cables are not replaceable. If the external cables are damaged, the lighting luminaire needs to be replaced.
9. The luminaire LEDs are not replaceable. The complete luminaire should be replaced when LEDs' lifetime reaches the end.
10. The luminaire should be positioned so that prolonged staring into the luminaire at a distance closer than 26m is not expected.

A On/Off 型号接线图

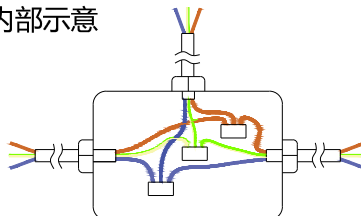
CN



防水接线盒内部示意



L (火线) 棕色
N (零线) 蓝色
E (地线) 黄绿双色



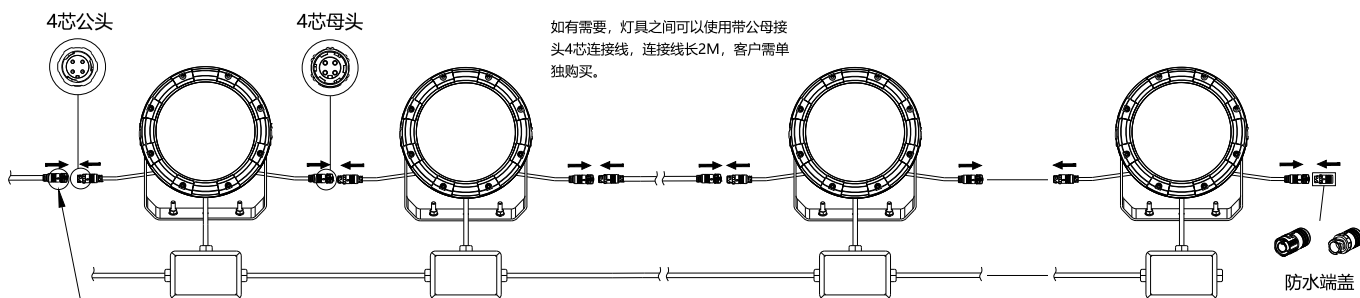
需使用防水接线盒，防水等级不低于IP66
防水接线盒须由客户单独购买。



1. 在潮湿的环境下，请密封所有入口以防渗水。请使用 RTV 硅胶和防水接线盒。
2. 接线方式取决于当地电气法规及规定，一般是使用螺纹旋紧型导线连接器或螺钉接线端子。

B DMX 型号接线图

⚠ 防水接头公头为输入端



连接到DMX控制器需使用带母接头4芯首灯延长线，
连接线长2M，客户需单独购买。

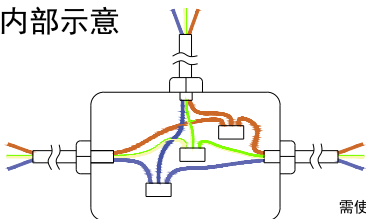
如有需要，灯具之间可以使用带公母接头4芯连接线，
连接线长2M，客户需单独购买。

防水端盖

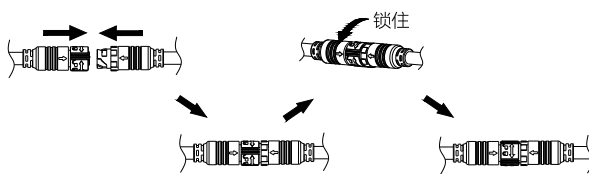
防水接线盒内部示意

对接防水接头

L (火线) 棕色
N (零线) 蓝色
E (地线) 黄绿双色



需使用防水接线盒，防水等级不低于IP66
防水接线盒须由客户单独购买。



1. 在潮湿的环境下，请密封所有入口以防渗水。请使用 RTV 硅胶和防水接线盒。
2. 接线方式取决于当地电气法规及规定，一般是使用螺纹旋紧型导线连接器或螺钉接线端子。
3. 除非使用放大器或中继器，从DMX控制器到最后一个灯具的最大传输距离是100米且在此距离内最多可控制32个灯具。若使用ZXP399 DMX放大器，数据传输距离最大可延长100米且在此距离内灯具数量最多可增加32。每个DMX端口最多可控灯数参见第1页表格。推荐使用输出DMX信号为SELV的控制器。
4. 末端无对接的接头需装配防水端盖。



1. 对灯具进行安装或接线时，需确保主电源已关闭。
2. 阅读并理解安装说明和安全标签之前，切勿试图安装或使用灯具。
3. 切勿热插拔产品。
4. 连接或断开单个灯具之前，必须确保供该系列之电源已关闭。
5. 无论在何种情况下，该灯具控制系统都不能被任何类型的绝缘材料所包裹。
6. 切勿在任何非额定电压的情况下，使用产品。切勿超出灯具规定的电压与输入电流。
7. 如果玻璃、灯壳或电线受损，切勿使用产品。
8. 灯具电源电缆和数据电缆不可更换。如果外部电缆损坏，则需要更换灯具。
9. 灯具LED光源不可更换。LED光源寿命达到最终使用寿命，需要更换整个灯具。
10. 灯具的安装位置应使其不会长时间在小于26m的距离被盯着看。

Warning

1. The luminaire shall be installed by a qualified electrician and wired in accordance with the latest IEEE electrical regulations or the national requirements.
2. Turn power off before inspection, installation or removal.
3. The light source contained in this luminaire shall only be replaced by the manufacturer or his service agent or a similar qualified person.
4. Refer to technical datasheet for additional electrical properties to ensure safe installation.
5. Luminaire installed must not be in contact with combustible materials.
6. Ensure power supply cables (D+ / D-) are connected correctly before switching on.

Maintenance

1. Ensure power supply is switched off before attempting any maintenance work.
2. Periodic cleaning of the luminaire optical lens cover will ensure maximum optical efficiency.
3. Luminaire optical lens cover shall be cleaned with clean water and non-abrasive soap, cleaner or detergent solution.

Caution

The Luminaire must be used within the applicable product specifications, installation instructions and environmental conditions for storage & operations according to application guidelines provided by Signify for product Warranty to be valid.

توصيل الأسلاك

قم بإيقاف تشغيل الطاقة قبل الفحص أو التركيب أو الفصل .
يجب تركيب الفانوس من قبل فني مؤهل يتبع التعليمات الموضحة
يرجى قراءة ورقة البيانات التقنية لمعرفة المواصفات الكهربائية للتأكد من التركيب الآمن يجب أن
يكون كل من التركيب و التوصيل متوافقاً مع أنظمة IEEE و المواصفات المحلية يجب تغيير مصدر
عدم تركيب أو وضع الفانوس بالقرب
من مواد قابلة للاشتعال الإضاءة فقط عن طريق الجهة المصنعة أو مقدم خدمات مؤهل.
عدم تمديد كابل الطاقة بالقرب من مواد ذات حرارة عالية
لتأكيد القطبية الصحيحة تأكد من توصيل الأسلاك بشكل صحيح
هذا الفانوس مصنع للاستخدام الخارجي

الصيانة

تأكد من فصل الطاقة قبل إتمام عملية الصيانة
استمرار تنظيف الناشر يؤكد الحصول على إضاءة شديدة
يجب تنظيف غطاء الناشر بالماء و صابون ناعم أو محلول مطهر

احذر

فضلاً تأكد من ملاءمة تعليمات التركيب و ظروف البيئة للتخزين و التشغيل لاستمرار ضمان المنتج