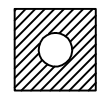
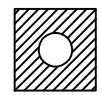


**LifeMagic**



0. All products are made in accordance with the standards and specifications of the relevant standards of the copyright owner.



1 2 3 4 5 6 7 8

a

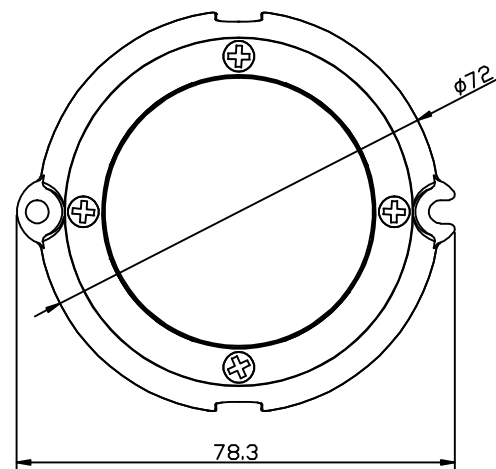
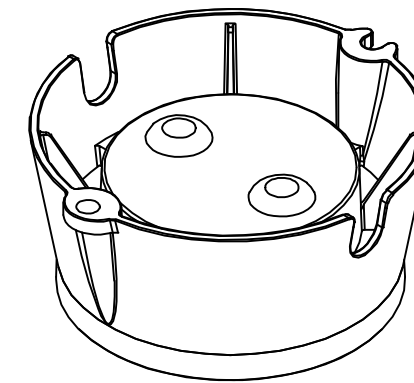
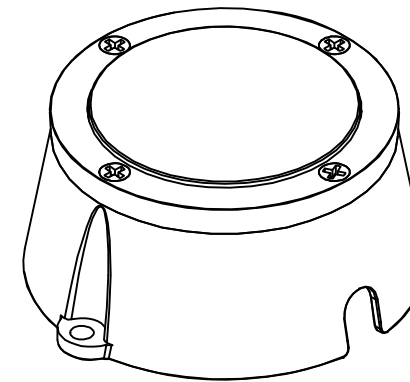
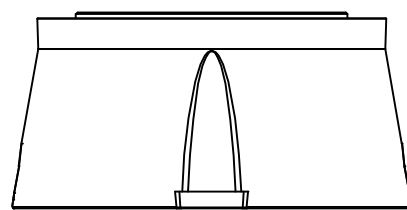
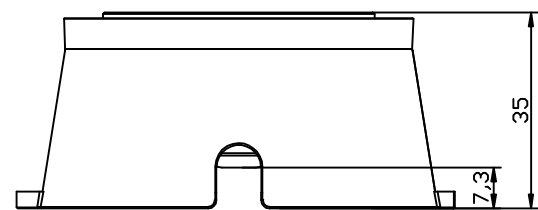
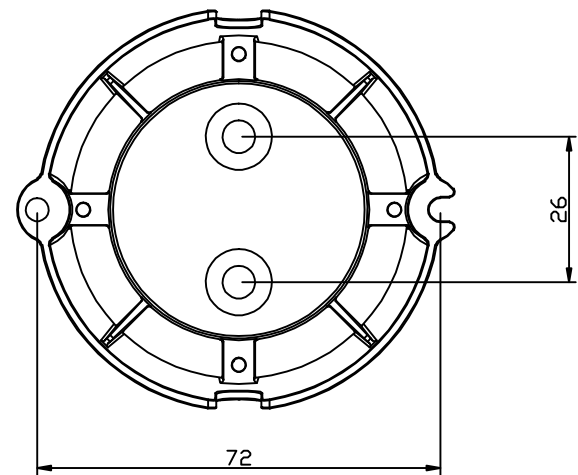
b

c

d

e

f



CLASS No.	BGS319 S-CFC		A	2019/03/01
NAME	ZhangYanQing	SUPERS	SH. 7	SH. -1
CHECK	DATE	2019/03/01	PROPERTY OF: Copyright Signity Holding	

1 2 3 4 5 6 7 8

a

b

c

d

e

f