

# MagicTube - Small (BCS349 S)

MagicTube is a surface mounted, exterior-rated and slim sized linear LED direct view luminaire that is designed for façade and outdoor architectural lighting applications.

The robust mechanical and unique optical design make it ideal for buildings facades, media facades, bridges, overpasses and any application that requires a slim linear direct view lighting solution.

Available in white, monochromatic colors, RGB, RGBW and tunable white.

Direct view spread lens, through wiring for end-to-end connection and DMX control option available with up to 10 pixels (10IDs) to give architects and designers the freedom to explore a wide range of concepts and design with no limitations.



## Key Features (BCS349 S)

- Low power LEDs deliver a smooth and soft lighting distribution
- Standard: RGBW, RGB, 2700K, 3000K and 4000K
- Optional 5000K, Monochromatic Colors and Tunable White
- Standard 300, 500 and 1000mm product lengths
- Up to 10 pixels (10IDs) for easy and flexible control
- Wide beam angle for direct view application
- Robust Design & IP66 rating for outdoor use
- Two types of mounting brackets to fit different applications
- Available in DMX control option

## Ordering guide

ex: *BCS349 S 96LED RGBNW 24V OC L100 8PX*

BCS349 S	LED		24V		L	
Family	LEDs	CCT / Color <sup>(1)</sup>	Voltage	Cover Type	Length	Control/Pixels <sup>(2)</sup>
BCS349 S – MagicTube Small	12LED 24LED 48LED	27K – 2700K 30K – 3000K 40K – 4000K 50K – 5000K RGB – RGB tW – Tunable White BL – Blue RD – Red GN – Green AM – Amber	24V – 24V DC	OC – Opal Cover	L30 – 300mm L50 – 500mm L100 – 1000mm	– On/Off DMX – DMX 1PX 2PX – DMX 2PX 4PX – DMX 4PX 8PX – DMX 8PX
	24LED 48LED 96LED	RGBWW – RGBW(3000K) RGBNW – RGBW(4000K)				

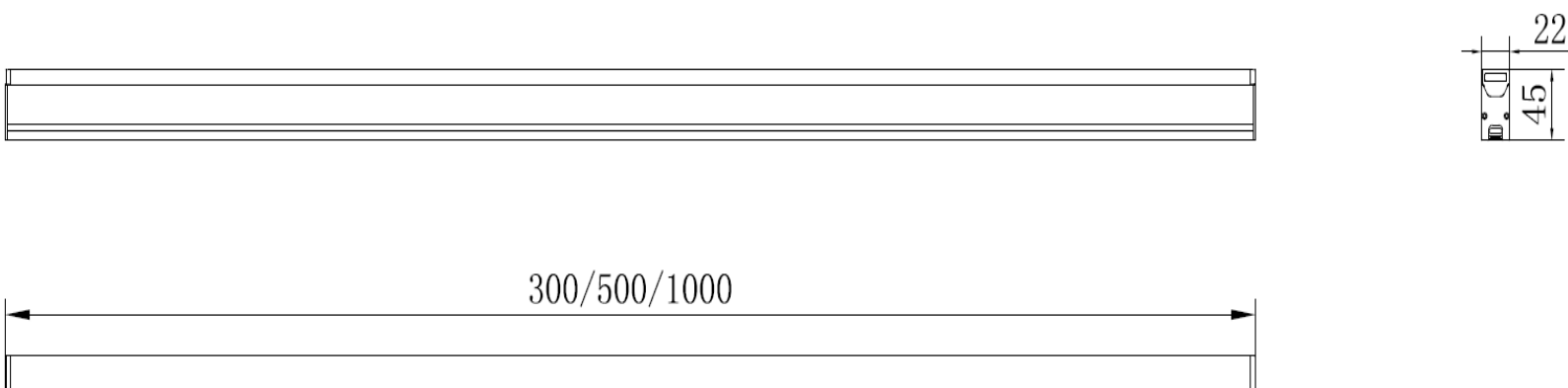
(1) RGB, RGBW and tW are only available in DMX

(2) For detailed pixels information, please check page 2

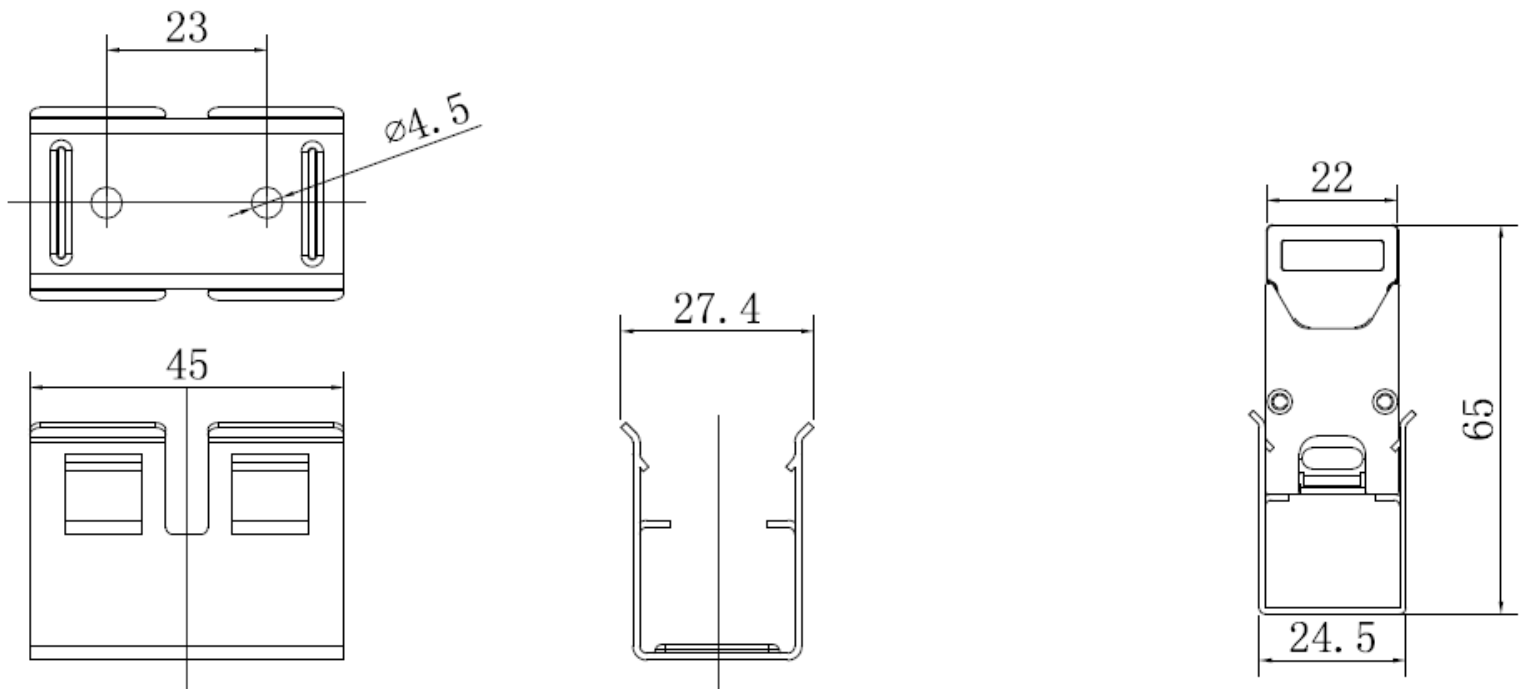
## Product Data

Product Family	MagicTube Small (BCS349 S)		
Dimensions (L x W x H)	300/500/1000 mm x 22 mm x 45 mm (without bracket) 300/500/1000 mm x 28 mm x 65 mm (with clip-in brackets)		
Source	Low power LED		
Lumen Maintenance	White: 50,000 hrs L70B50 at 35°C   RGB: 50,000 hrs L50B50 @ 35°C		
Housing	Extruded aluminum		
Finishing	Anodic oxidation		
Color	Silver		
Standard Bracket Type	Clip-in bracket		
Standard Bracket Material	Stainless steel		
Adjustability	Fixed, not adjustable		
Optical Cover	Anti-aging and anti-UV high optical efficiency PC opal cover (OC)		
Gasket	Silicon		
Control Interfaces	On/Off   DMX512		
Input Voltage	24V DC		
Maximum Current	6A		
IEC Classification	Class III		
Power Cable (On/Off)	2 pole flat cable, 2x1.0mm <sup>2</sup> with connectors		
Power/Signal Cable (DMX)	5 pole flat cable, 2x1.0mm <sup>2</sup> + 3x0.3mm <sup>2</sup> with connectors		
Cables Lengths	Input = 20cm, Output = 10cm		
Connectors	IP67 male/female connectors for through power+signal connection		
Lengths	300mm	500mm	1000mm
No. of LEDs (Mono/RGB)	12	24	48
No. of LEDs (RGBW)	24	48	96
Power Consumption	3W	6W	12W
Standard No. of Pixels (IDs)	2	4	8
Weight	0.4 kg	0.5 kg	0.8 kg
Standard CCT/Colors	2700K, 3000K, 4000K, RGB, RGBW		
Standard Beam Angle (HxV)	115x145°		
Standard White CRI	80		
White SDCM	4		
Colors Wavelengths	R: 620 to 625nm; G 525 to 530nm; B: 470 to 475nm		
Temperature Range	-40°C to 50°C (Operating) -35°C to 50°C (Startup) -40°C to 70°C (Storage)		
Protection Rating	IP66, IK08		
Certifications	CE, CB, CQC		
Warranty	3 Years		
Customization (available upon request)	Custom lengths for up to L120 Higher power (up to 15W/m) Surface mounting slide-in brackets Higher number of pixels for some configurations (up to 16PX / meter)		

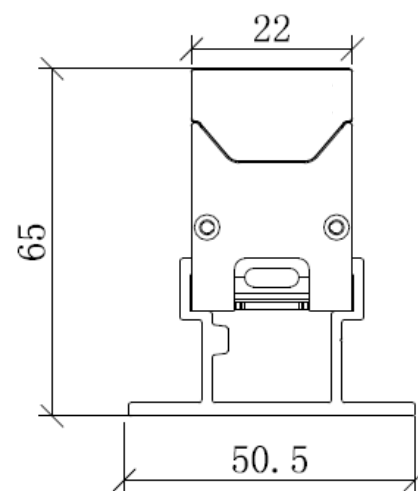
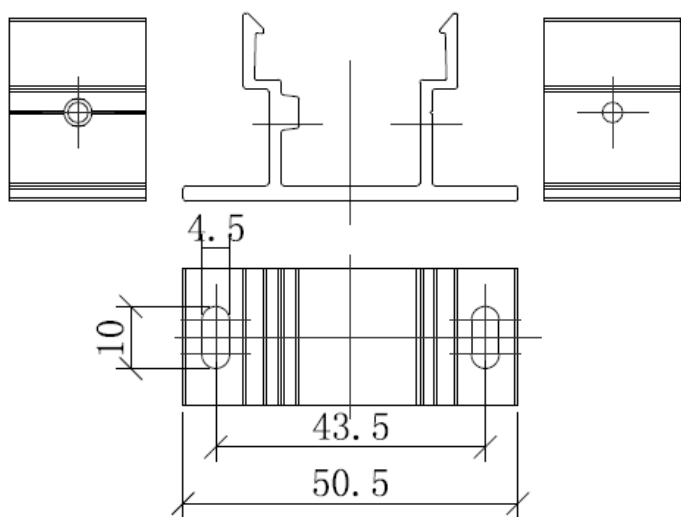
Luminaire Dimensions:



## Clip-in Mounting Brackets (Standard)



## Slide-in Mounting Brackets (Supplied Upon Request)



**Order Information:**

Description	Power (W)
BCS349 S 48LED 27K 24V OC L100 8PX	12W
BCS349 S 48LED 27K 24V OC L100	12W
BCS349 S 48LED 30K 24V OC L100 8PX	12W
BCS349 S 48LED 30K 24V OC L100	12W
BCS349 S 48LED 40K 24V OC L100 8PX	12W
BCS349 S 48LED 40K 24V OC L100	12W
BCS349 S 48LED RGB 24V OC L100 8PX	12W
BCS349 S 96LED RGBWW 24V OC L100 8PX	12W
BCS349 S 96LED RGBNW 24V OC L100 8PX	12W
BCS349 S 24LED 27K 24V OC L50 4PX	6W
BCS349 S 24LED 27K 24V OC L50	6W
BCS349 S 24LED 30K 24V OC L50 4PX	6W
BCS349 S 24LED 30K 24V OC L50	6W
BCS349 S 24LED 40K 24V OC L50 4PX	6W
BCS349 S 24LED 40K 24V OC L50	6W
BCS349 S 24LED RGB 24V OC L50 4PX	6W
BCS349 S 48LED RGBWW 24V OC L50 4PX	6W
BCS349 S 48LED RGBNW 24V OC L50 4PX	6W
BCS349 S 12LED 27K 24V OC L30 2PX	3W
BCS349 S 12LED 27K 24V OC L30	3W
BCS349 S 12LED 30K 24V OC L30 2PX	3W
BCS349 S 12LED 30K 24V OC L30	3W
BCS349 S 12LED 40K 24V OC L30 2PX	3W
BCS349 S 12LED 40K 24V OC L30	3W
BCS349 S 12LED RGB 24V OC L30 2PX	3W
BCS349 S 24LED RGBWW 24V OC L30 2PX	3W
BCS349 S 24LED RGBNW 24V OC L30 2PX	3W

<sup>1</sup> Other options are available upon request

## Accessories

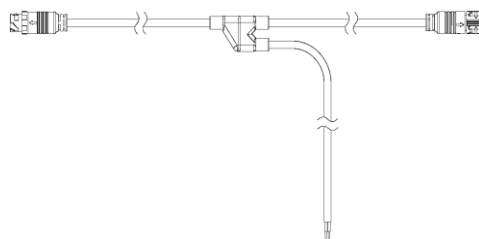
12NC	Description
911401761752	ZXP390 Lead 2P DC cable 2m (10 pcs)
911401761762	ZXP390 Jump 2P DC cable 2m (10 pcs)
911401761722	ZXP390 Lead 5P DC/DMX cable 2m (10 pcs)
911401761732	ZXP390 Jump 5P DC/DMX cable 2m (10 pcs)
911401761742	ZXP390 Y-connect kit 5P DC/DMX (10 pcs)
911401761792	ZXP390 Jump 5P DMX connector (10 pcs)
911401761772	ZXP390 endcap male connector (20 pcs)
911401761782	ZXP390 endcap female connector (20 pcs)

<sup>1</sup> Different cables lengths are available upon request

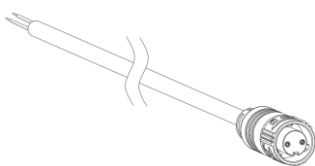
<sup>2</sup> End caps must be used at the end of each run

## Rated System Lumen Output (±10%):

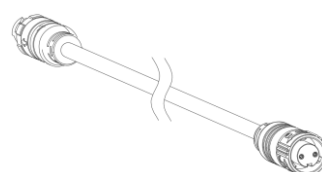
CCT/Color DMX (All channels On)	L30			L50			L100		
	Lumen	Max Cd	Nit	Lumen	Max Cd	Nit	Lumen	Max Cd	Nit
2700K	145	32	4,790	290	64	5,750	565	124	5,600
3000K	145	32	4,790	290	64	5,750	565	124	5,600
4000K	155	34	5,120	305	67	6,040	600	132	5,940
RGB	35	8	1,300	75	16	1,660	155	34	1,710
RGBWW	70	15	2,630	145	32	3,160	290	64	3,160
RGBNW	75	16	2,800	150	33	3,360	300	66	3,360



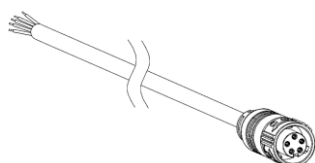
Y-connector kit 5P DC/DMX



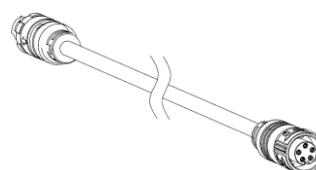
Leader cable 2P DC 2m



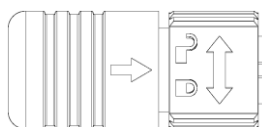
Jumper cable 2P DC 2m



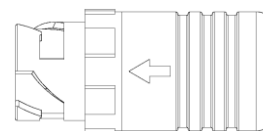
Leader cable 5P DC/DMX 2m



Jumper cable 5P DC/DMX 2m



End cap for male connectors



End cap for female connectors



