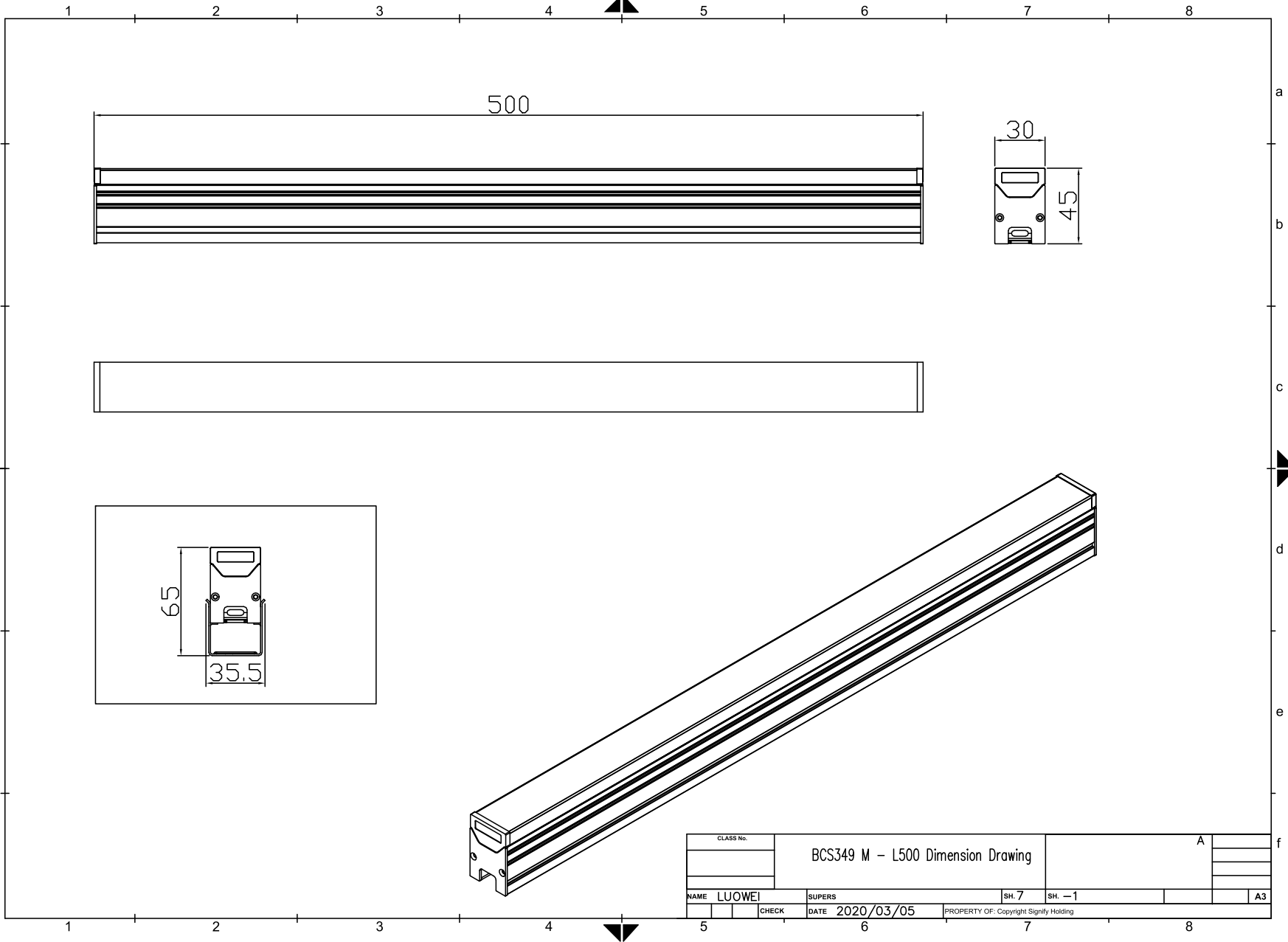
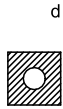


**LifeMagic**



For more information, please refer to the product manual.  
 All rights reserved. Reproduction in whole or in part is prohibited without the written consent of the copyright owner.



CLASS No.		BCS349 M - L500 Dimension Drawing		A	
NAME	LUOWEI	SUPERS	SH. 7	SH. - 1	A3
CHECK		DATE	2020/03/05	PROPERTY OF: Copyright Signify Holding	