

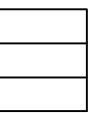
**LiteMagic**



© All rights reserved. Reproduction in whole or in part without the written consent of the copyright owner.



f



1 2 3 4 5 6 7 8

a

b

c

d

e

f

a

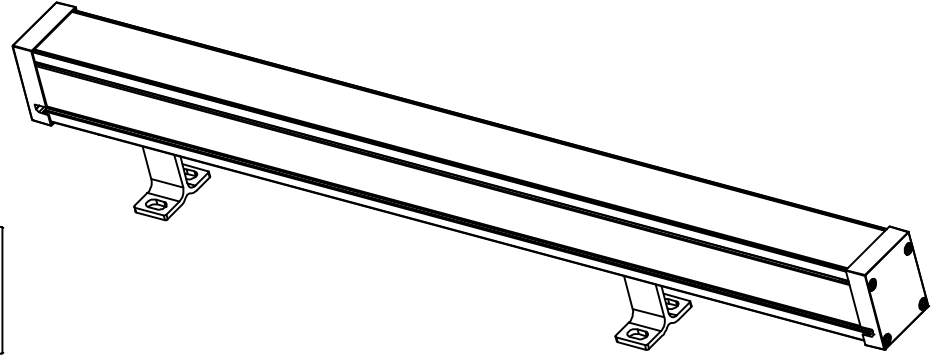
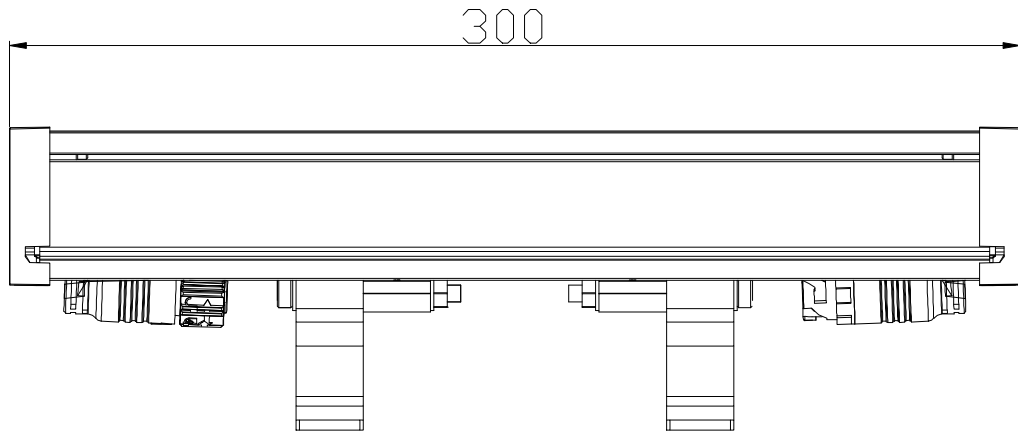
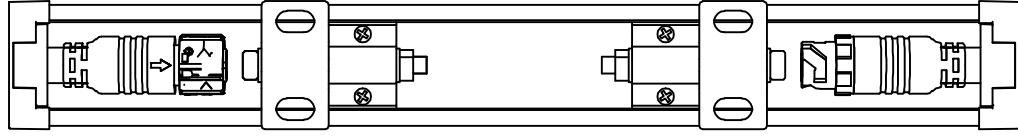
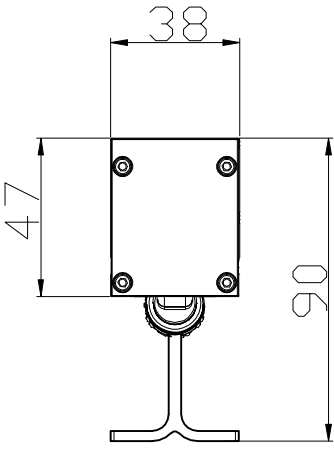
b

c

d

e

f



CLASS No.		BCP389 C- L300		A		2019/03/01	
NAME ZhangYanQing		SUPERS		SHL 7		SHL -1	
CHECK		DATE 2019/03/01		PROPERTY OF: Copyright Signify Holding			
						A3	

1 2 3 4 5 6 7 8