

**LiteMagic**



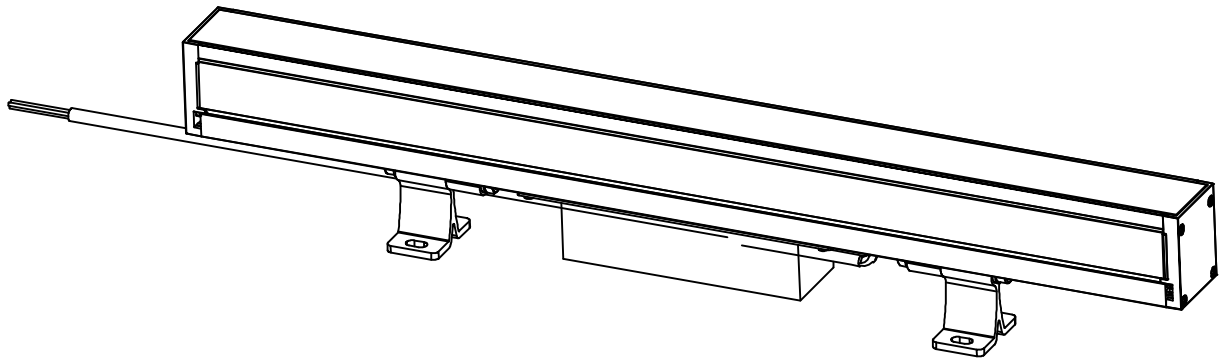
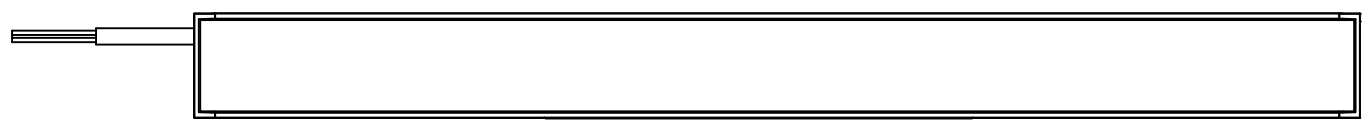
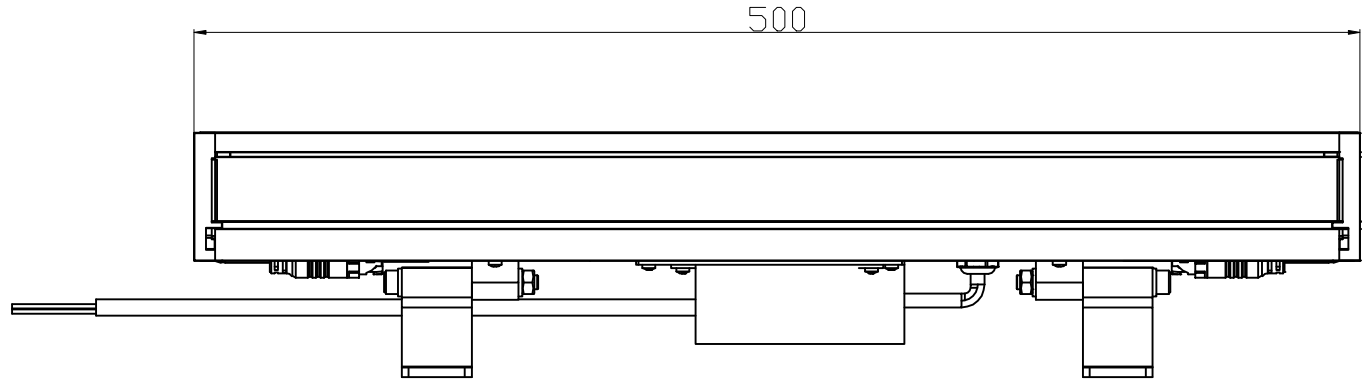
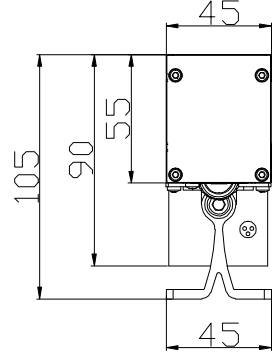
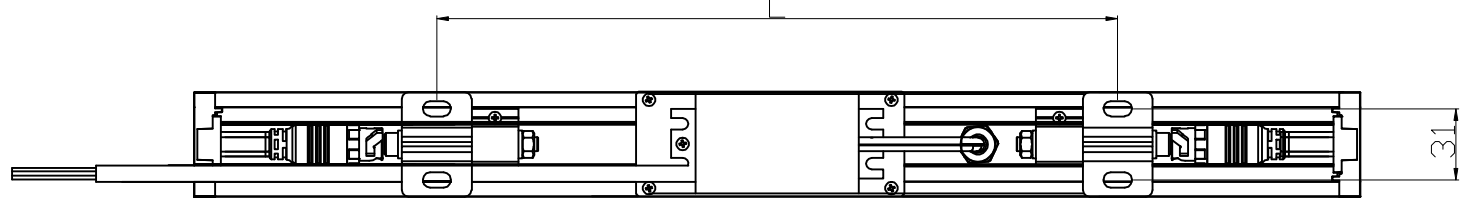
© All rights reserved. Reproduction in whole or in part without the written consent of the copyright owner.



1 2 3 4 5 6 7 8

a  
b  
c  
d  
e  
f

a  
b  
c  
d  
e  
f



CLASS No.		BCP389 M-L500		A		2019/03/01	
NAME ZhangYanQing		SUPERS		SH 7		SH -1	
CHECK		DATE 2019/03/01		PROPERTY OF: Copyright Signify Holding		A3	

1 2 3 4 5 6 7 8