

LiteMagic



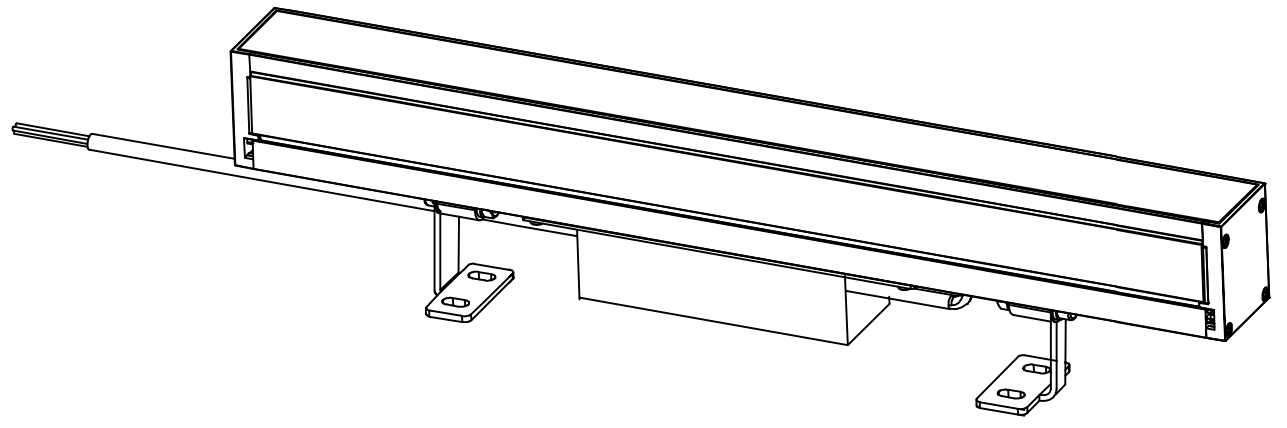
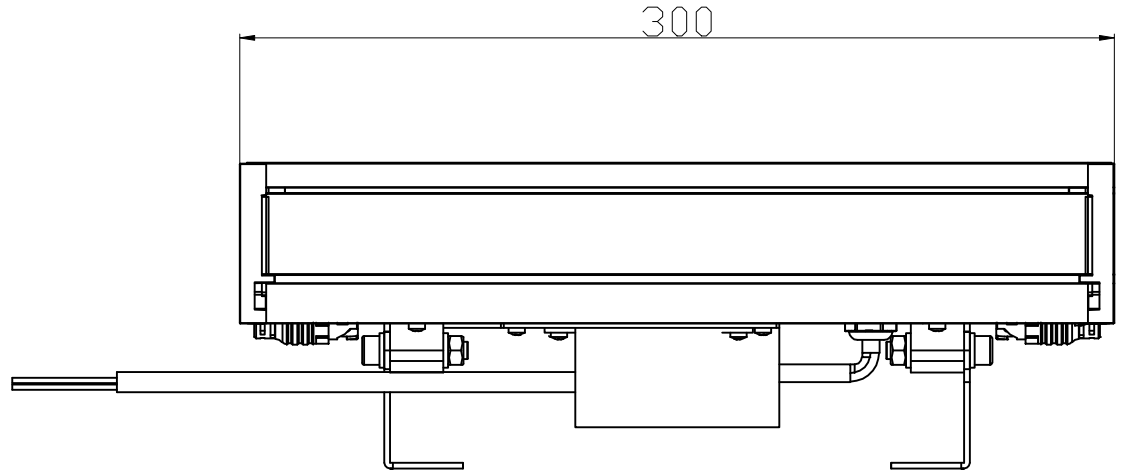
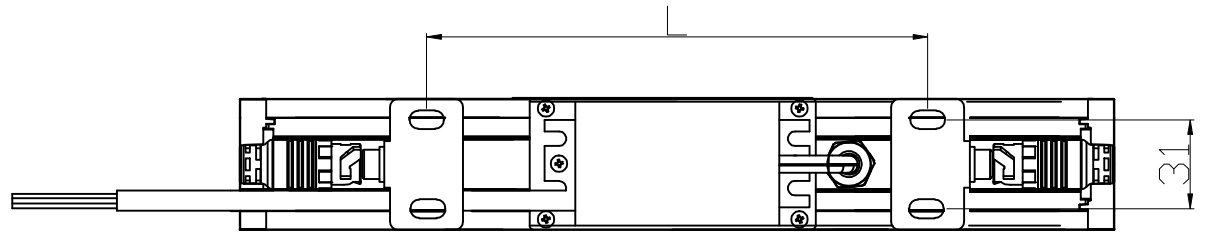
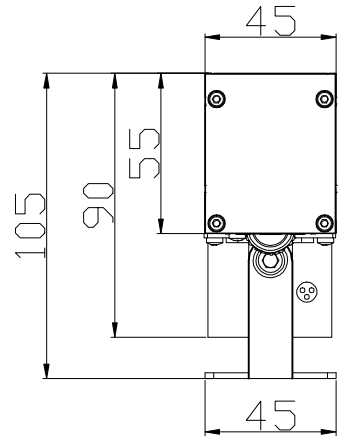
© All rights reserved. Reproduction in whole or in part is prohibited without the written consent of the copyright owner.



1 2 3 4 5 6 7 8

a
b
c
d
e
f

a
b
c
d
e
f



CLASS No.		A		2019/03/01	
BCP389 M-L300					
NAME ZhangYanQing	SUPERS	SH. 7	SH. -1		
CHECK	DATE 2019/03/01	PROPERTY OF: Copyright Signify Holding		A3	

1 2 3 4 5 6 7 8