

LiteMagic



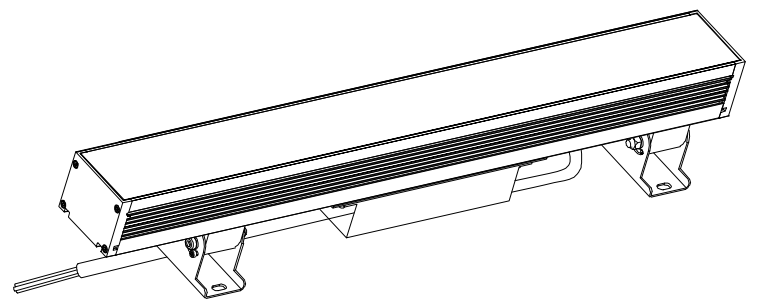
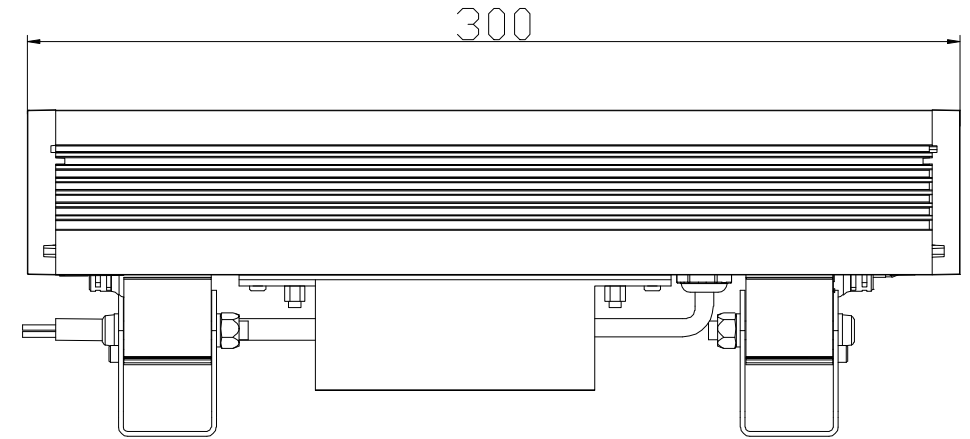
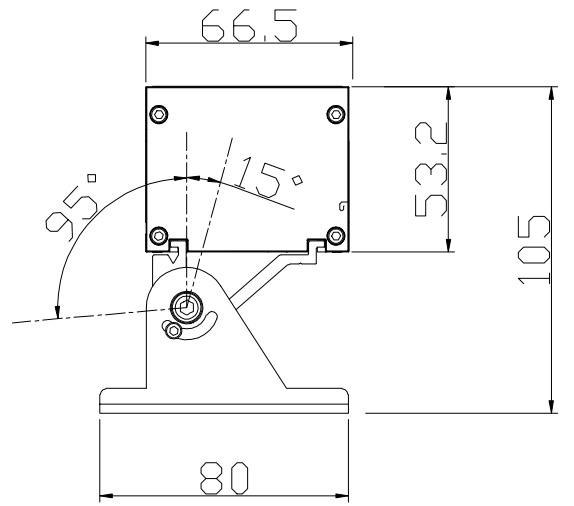
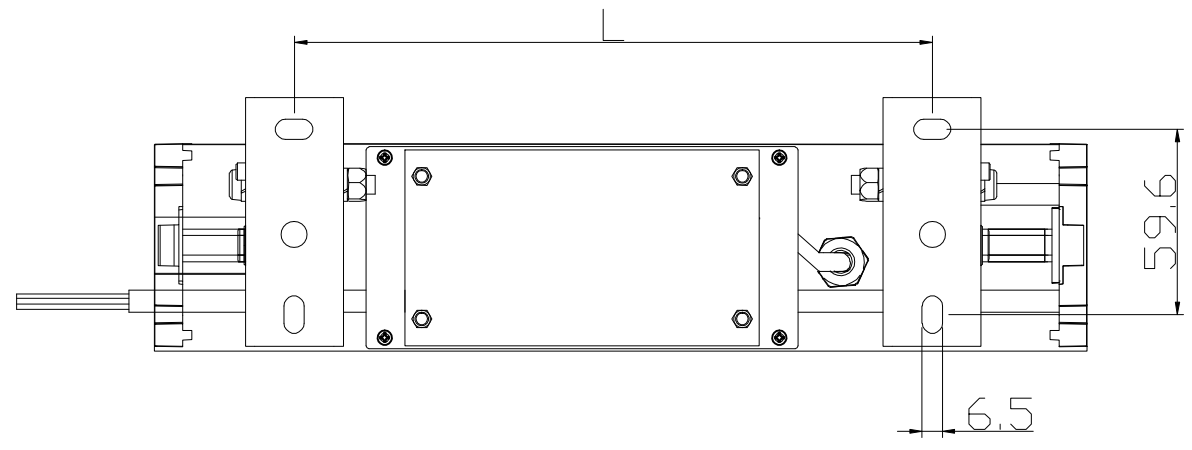
© All rights reserved. Reproduction in whole or in part is prohibited without the written consent of the copyright owner.



1 2 3 4 5 6 7 8

a
b
c
d
e
f

a
b
c
d
e
f



CLASS No.		BCP389 L-L300		A		2019/03/01	
NAME ZhangYanQing		SUPERS		SHL 7		SHL -1	
CHECK	DATE	PROPERTY OF: Copyright Signify Holding				A3	
	2019/03/01						

1 2 3 4 5 6 7 8