

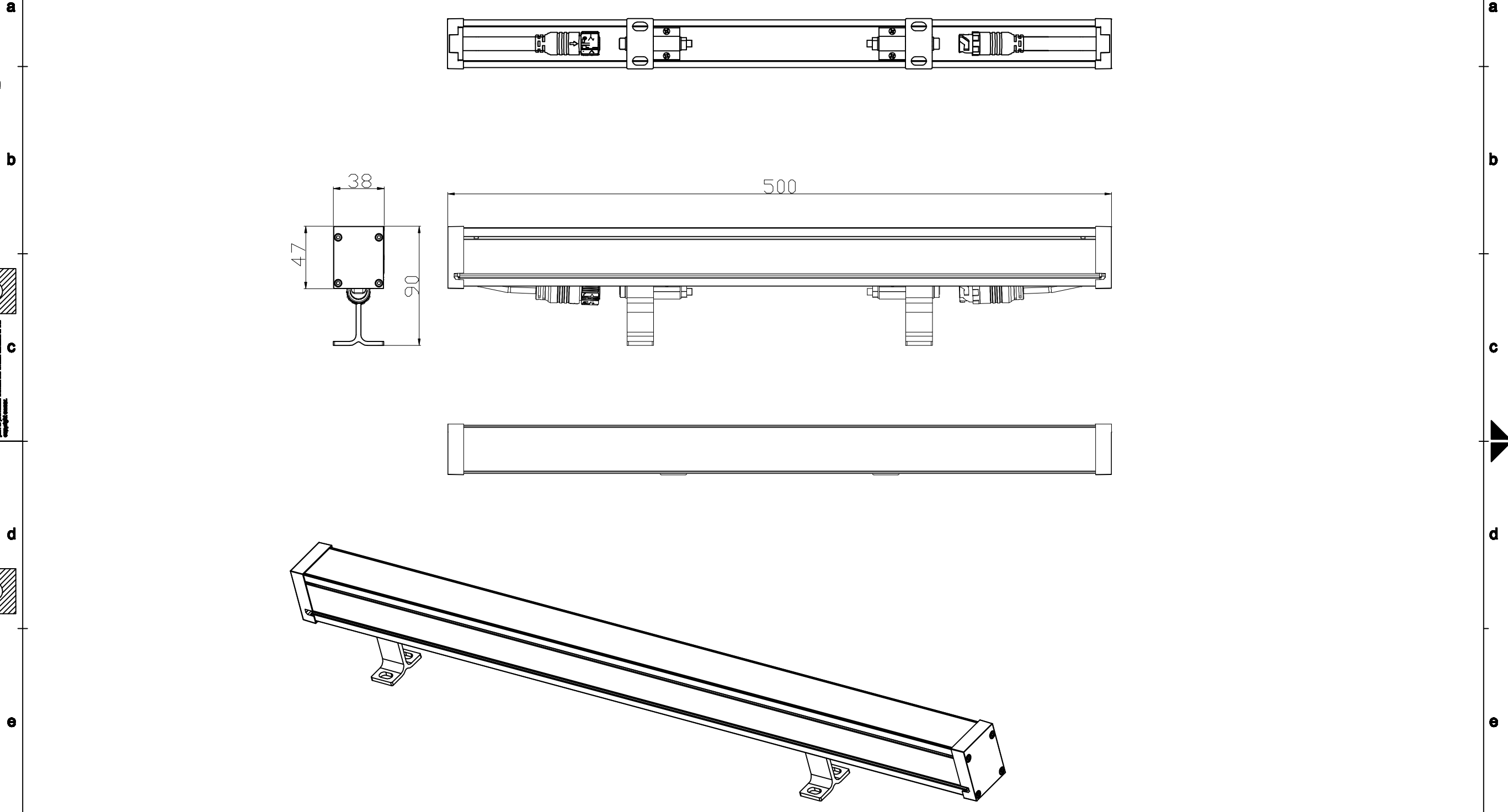
LifeMagic



© All rights reserved. Reproduction in whole or in part without the written consent of the copyright owner.



1 2 3 4 5 6 7 8



CLASS No.		BCP389 C- L500		A		2019/03/01	
NAME ZhangYanQing		SUPERS		SHL 7		SHL -1	
CHECK		DATE 2019/03/01		PROPERTY OF: Copyright Signify Holding		A3	

1 2 3 4 5 6 7 8