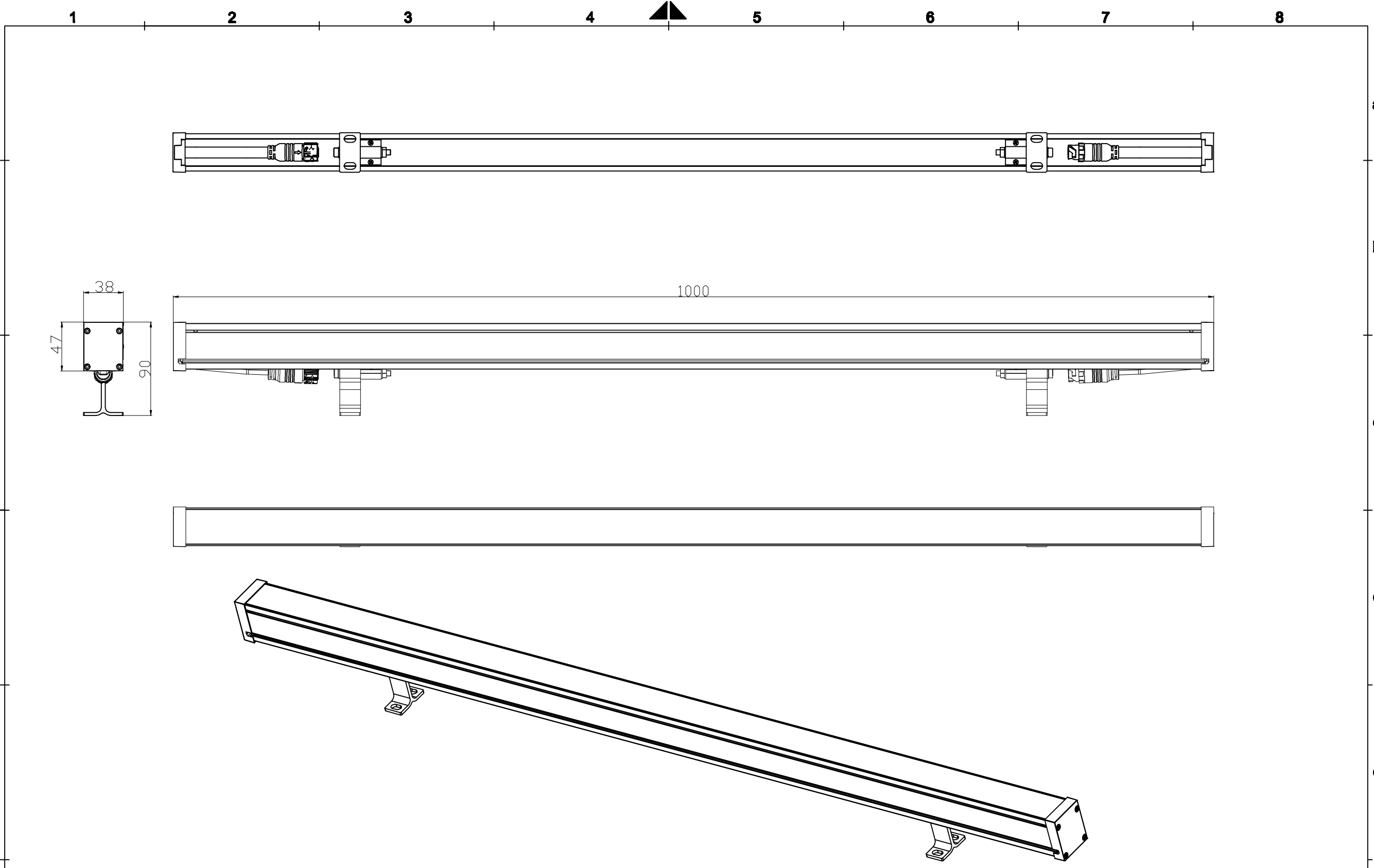


**LifeMagic**

© All rights reserved. Reproduction in whole or in part without the written consent of the copyright owner.



CLASS No.		BCP389 C- L1000		A		2019/03/01	
NAME ZhangYanQing		SUPERS		SHL 7		SHL -1	
CHECK		DATE 2019/03/01		PROPERTY OF: Copyright Signify Holding		A3	